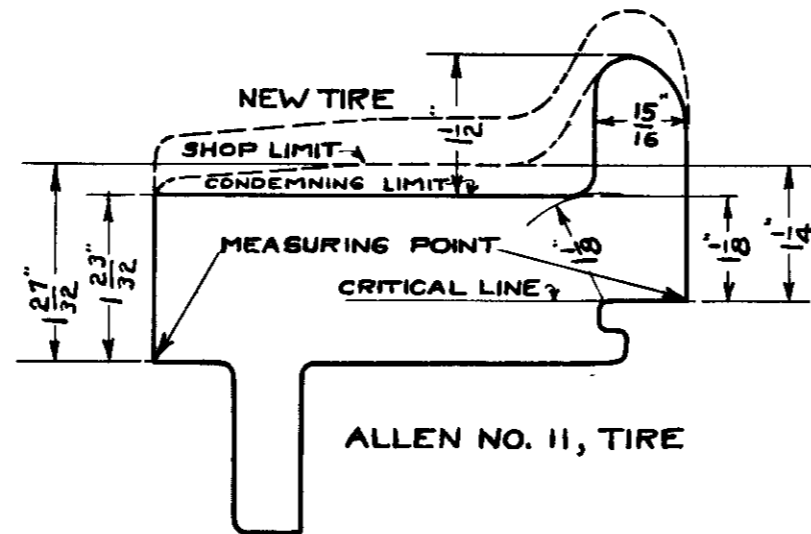
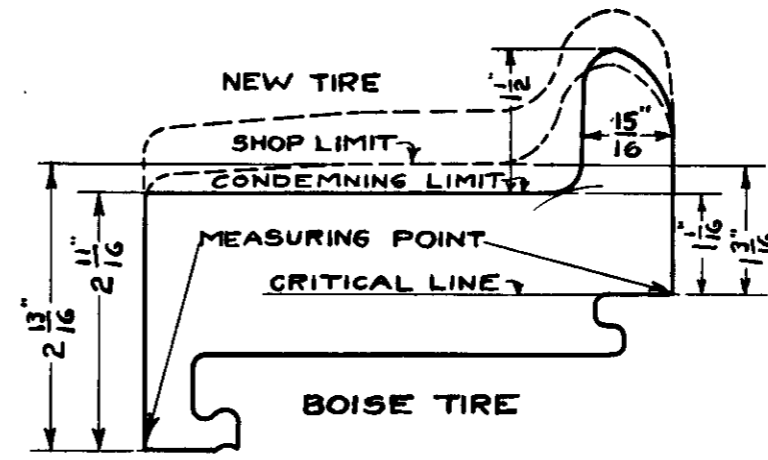


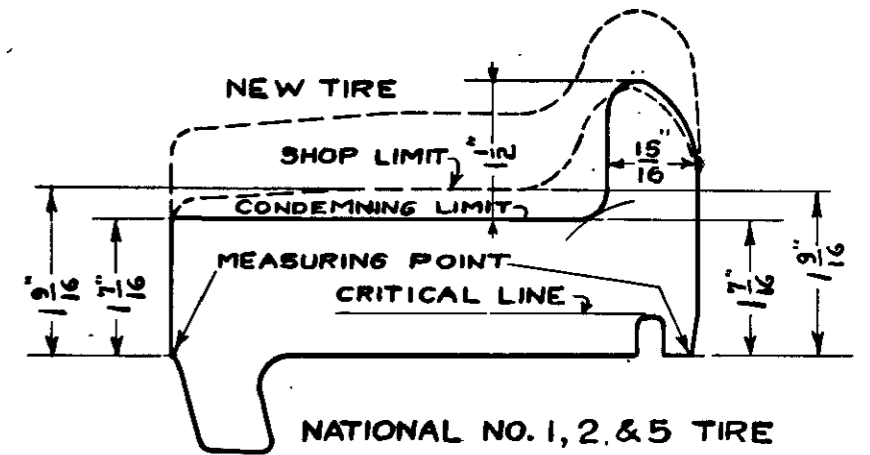
STANDARD STEEL WORKS TIRE WITH BOLTED FASTENING



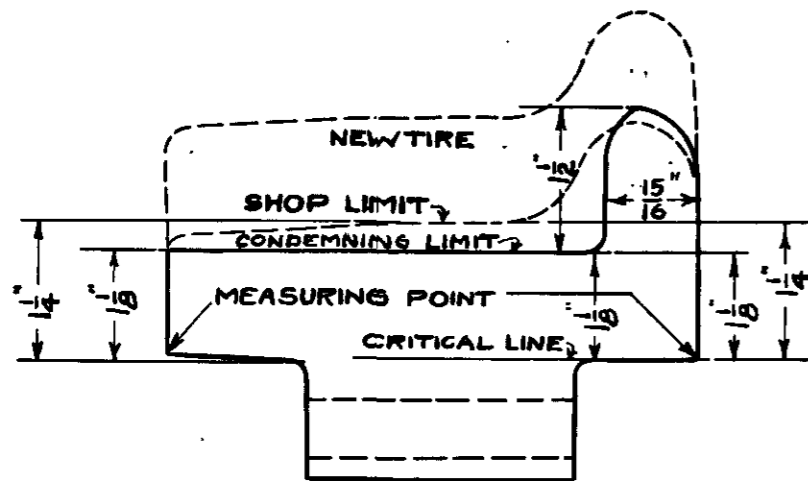
ALLEN NO. 11, TIRE



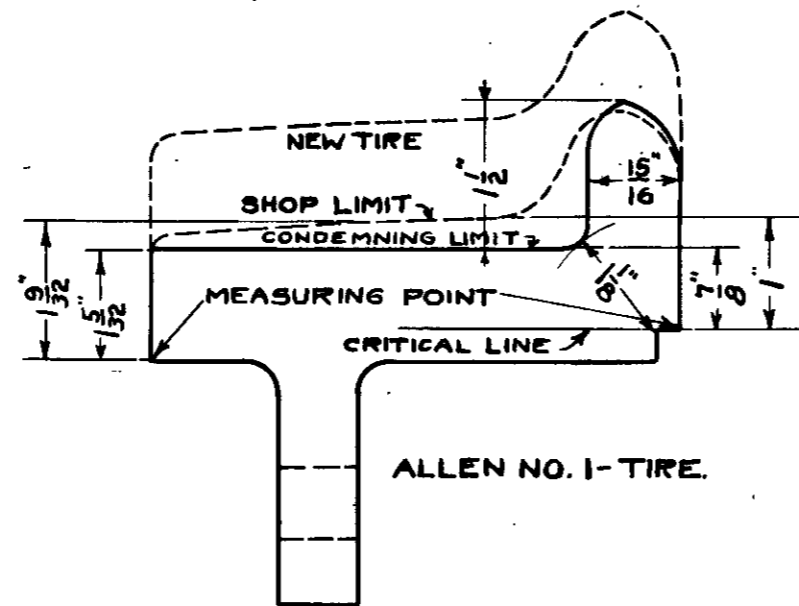
BOISE TIRE



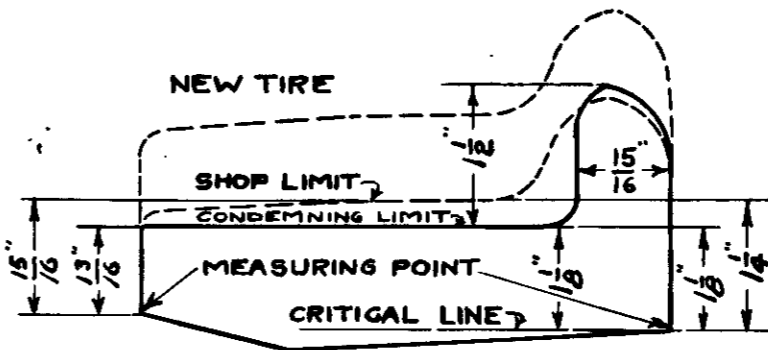
NATIONAL NO. 1, 2, & 5 TIRE



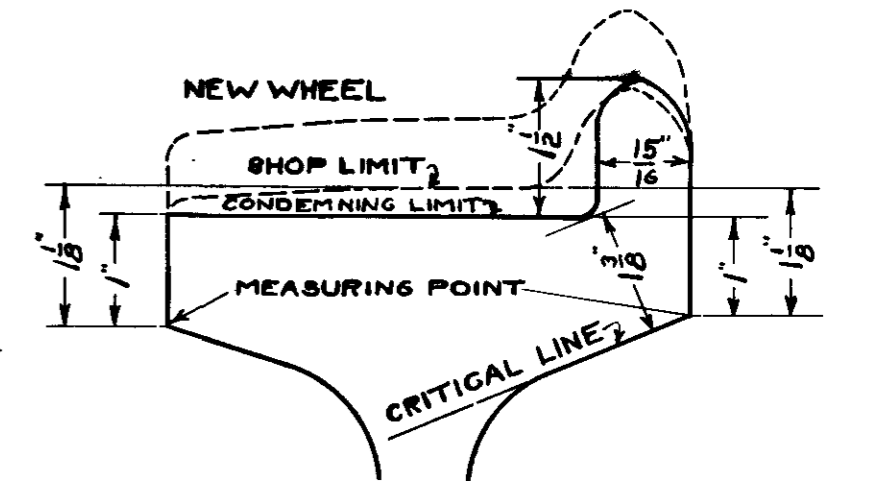
PAIGE TIRE



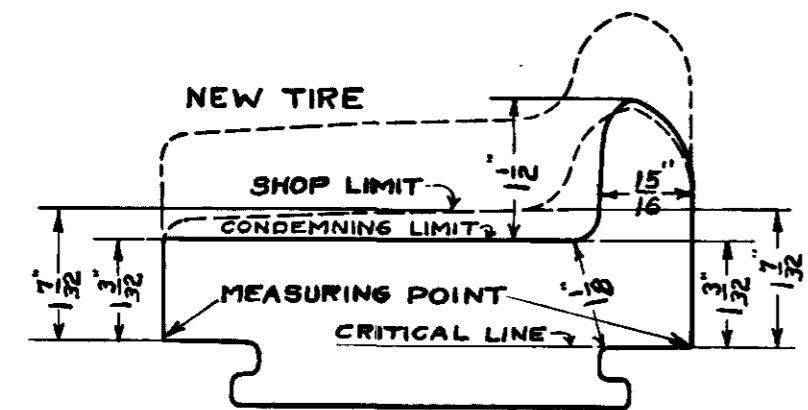
ALLEN NO. 1-TIRE.



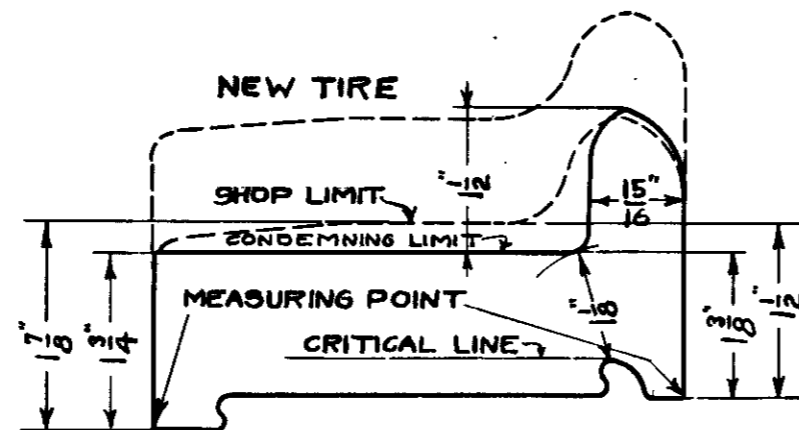
MC KEE FULLER TIRE



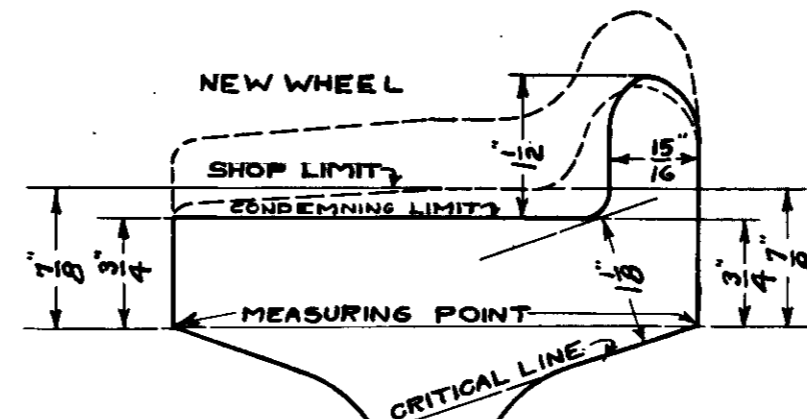
ROLLED STEEL WHEELS OTHER THAN THOSE UNDER TENDERS IN SWITCHING SERVICE.



STEEL TIRE HAVING MANSELL RETAINING RINGS.



STANDARD STEEL WORKS TIRE WITH GIBSON TIRE FASTENER



ROLLED STEEL WHEEL ON TENDERS IN SWITCHING SERVICE & FREIGHT CARS.

LIMIT OF TIRE WEAR FOR STEEL Tired & ROLLED STEEL WHEELS FOR FREIGHT & PASSENGER CARS

