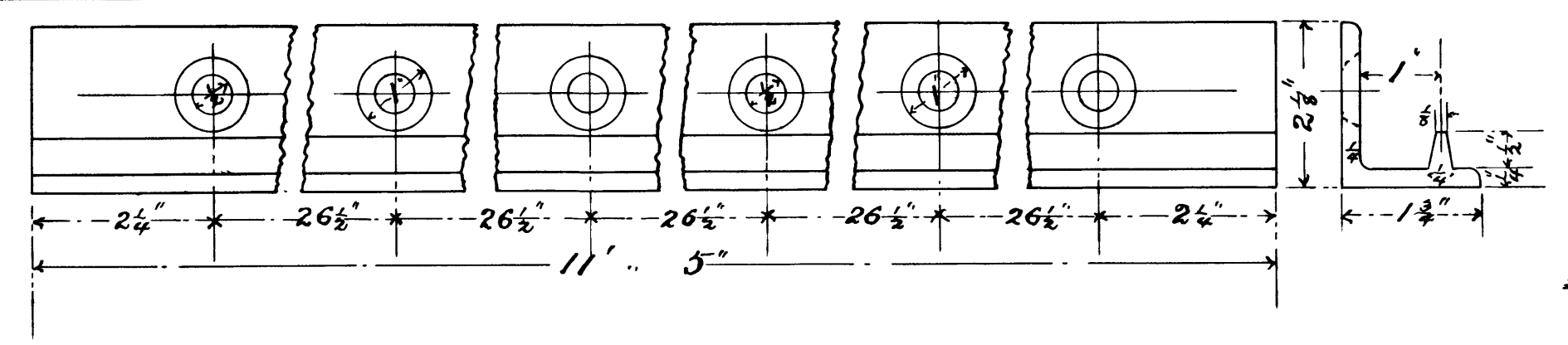
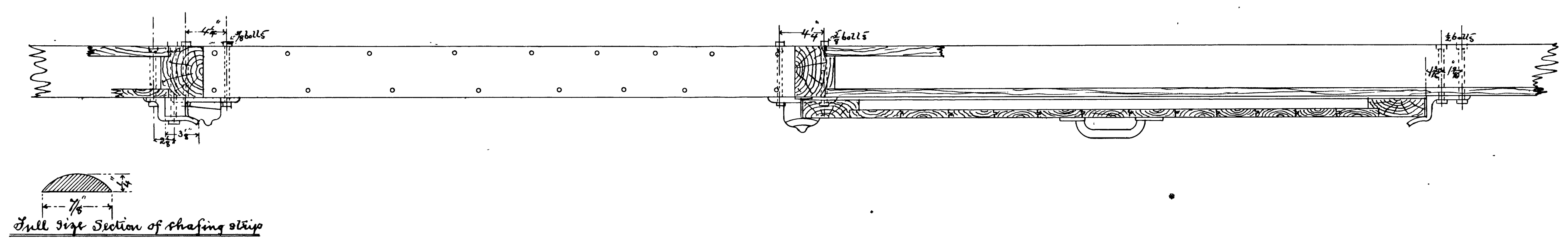


Number of Pieces	List of Patterns	Pattern Numbers
2	Door Handles	7630.
1	Door Wedge stop	9052.
1	Door stop clutch	9063.
1	Door bracket for narrow wedge	9564.
1	" " wide	9565.
1	" " corner iron for narrow wedge	9566.
1	" " " wide	9567.
2	" Hangers	6568.
4	Roller Plates	6569.



Approved: *J. H. Johnson*  
Master Mechanic

**O R A N O**  
SAFETY CAR DOOR  
Standard Box Car.

60000 lbs. Capacity.  
Office of Master Mechanic

Scale 1 1/2" = 6 in. = 1 ft.

Albina Oregon

July 1898.

G. 269. S. 1215