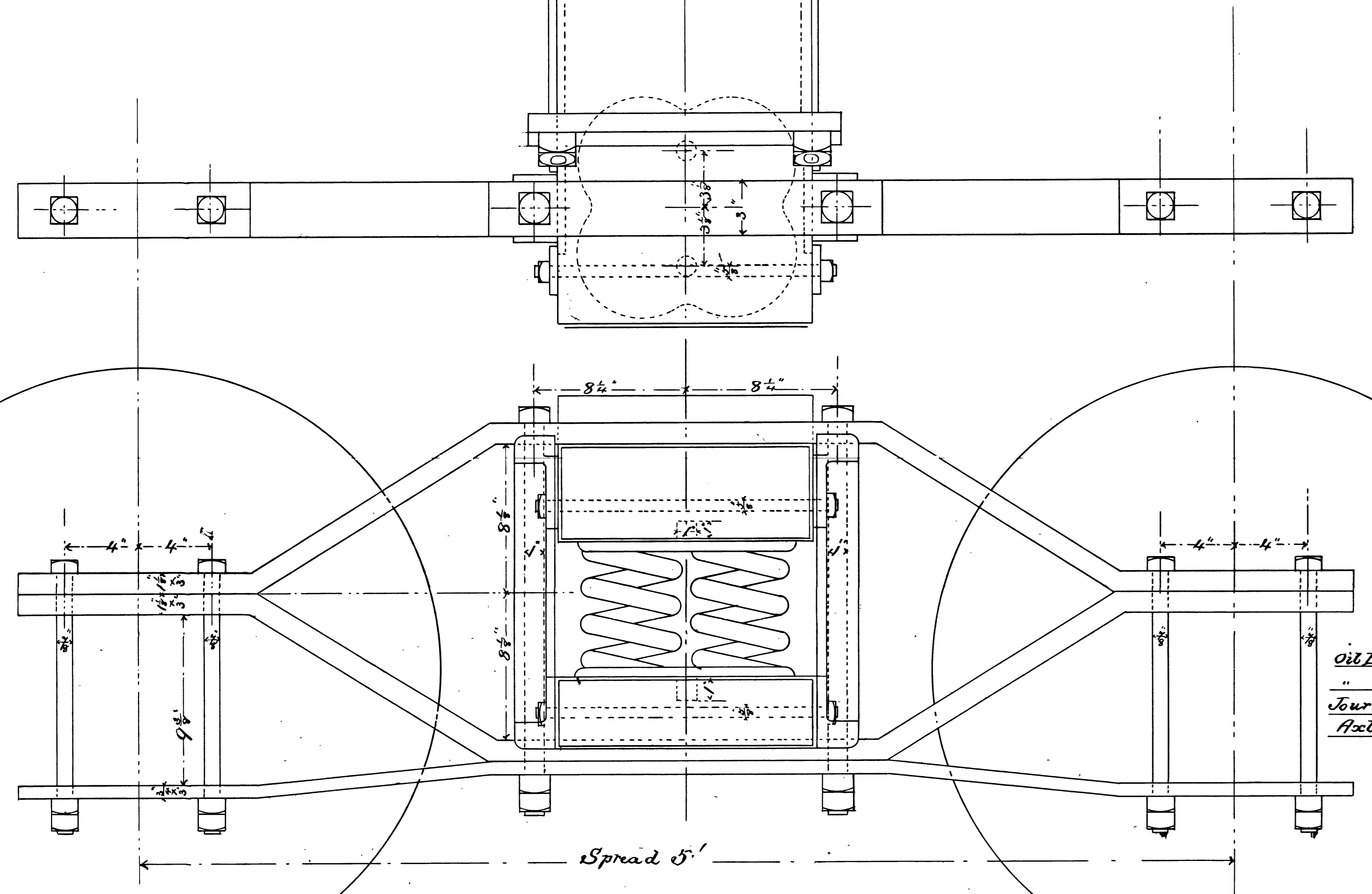


AXLE, No 31.



- Oil Box Part G 117.
- " " Lid " " 118.
- Journal Bearing 6670.
- Axle No 31.

Union Pacific.

Pacific Dist.

RIGID-TRUCK FOR WRECKING PURPOSE.

Scale, 3" = 1'.

Albion Shops
Dresser
Oct 1890.

