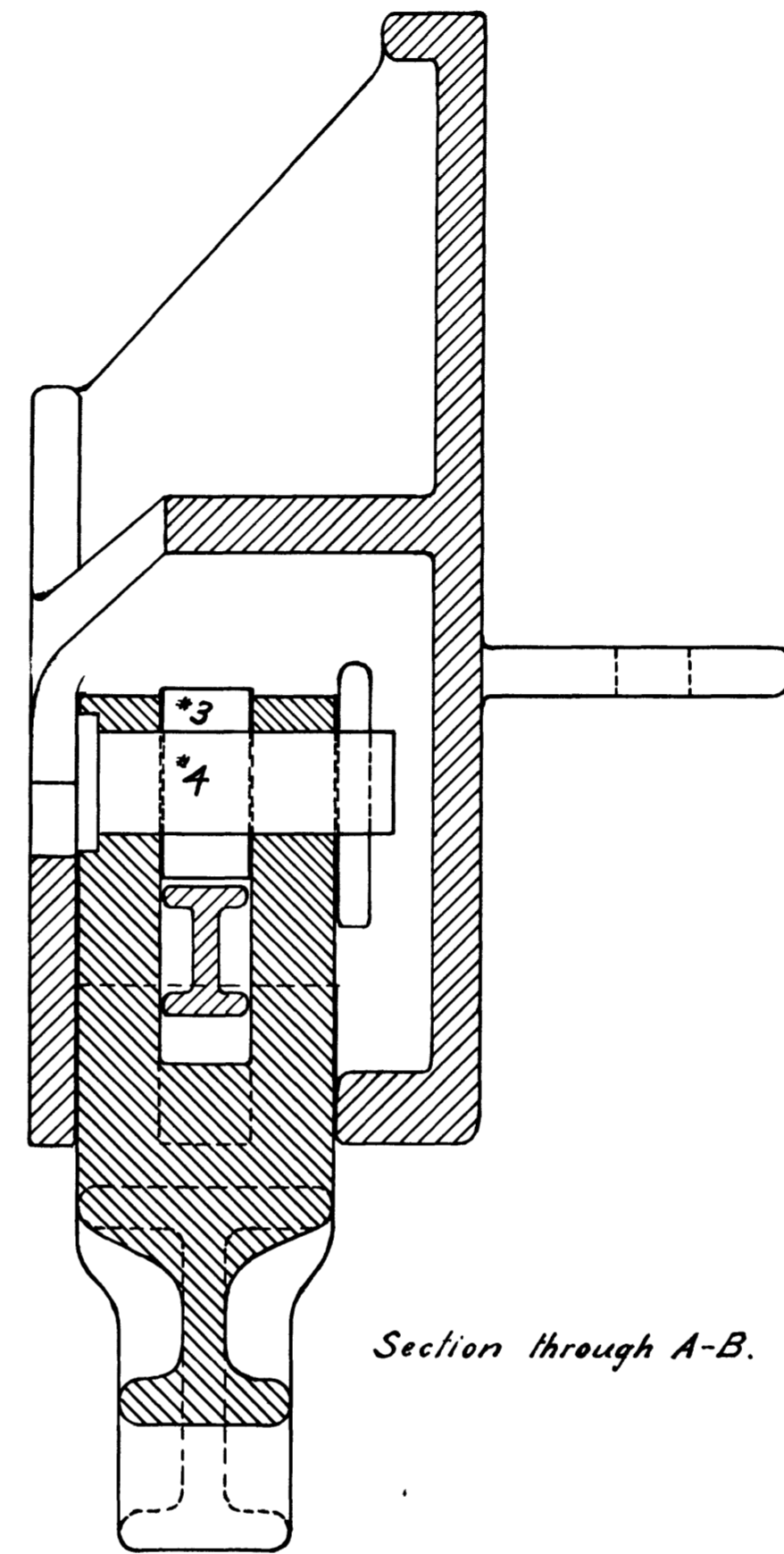
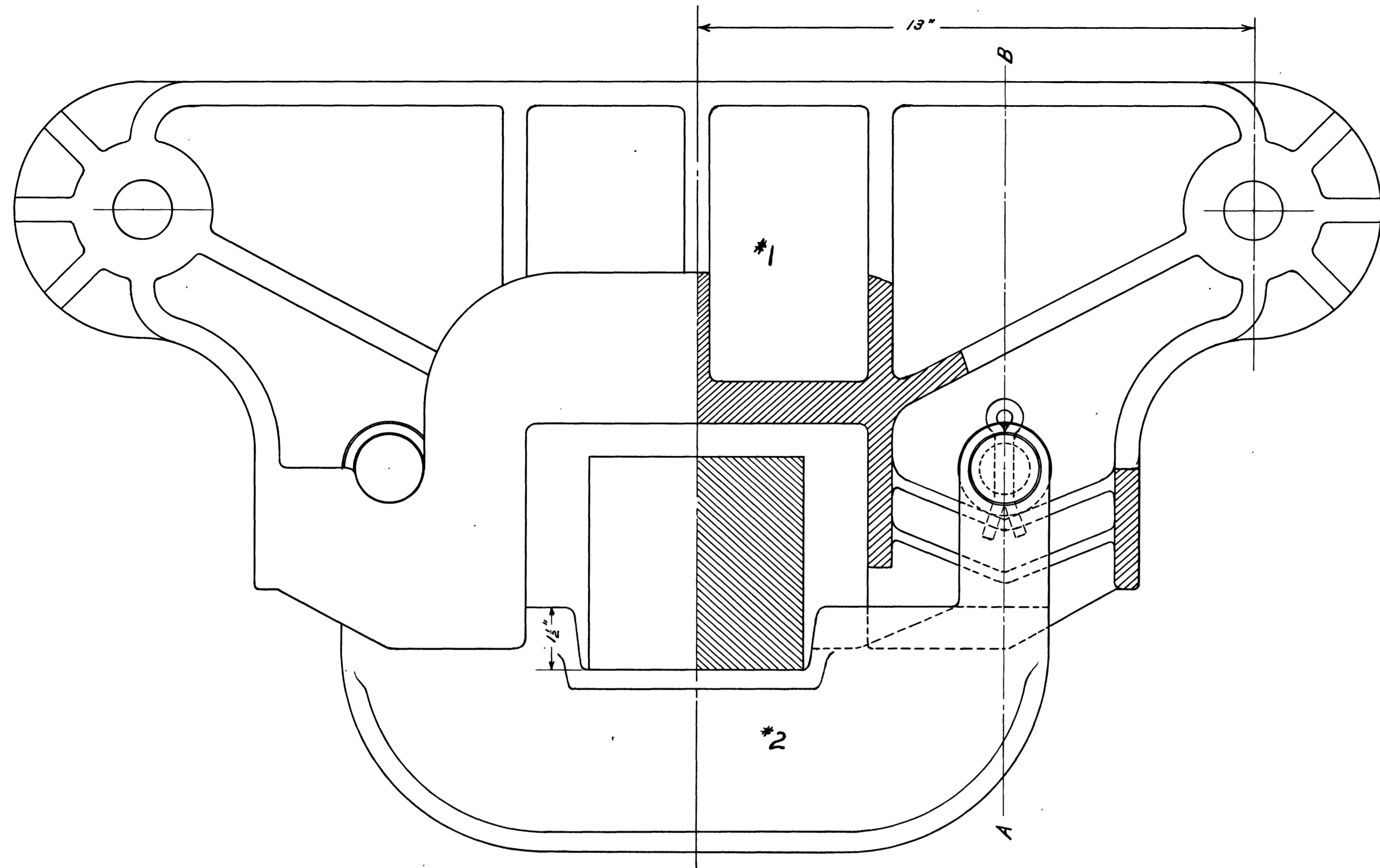


*The Positive Coupler Centering Device.*



*Section through A-B.*

*H. C. WEAVER*

*Los Angeles, Cal.*

*5.20.1914.*

