

# PROPERLY & IMPROPERLY PACKED OIL BOXES.

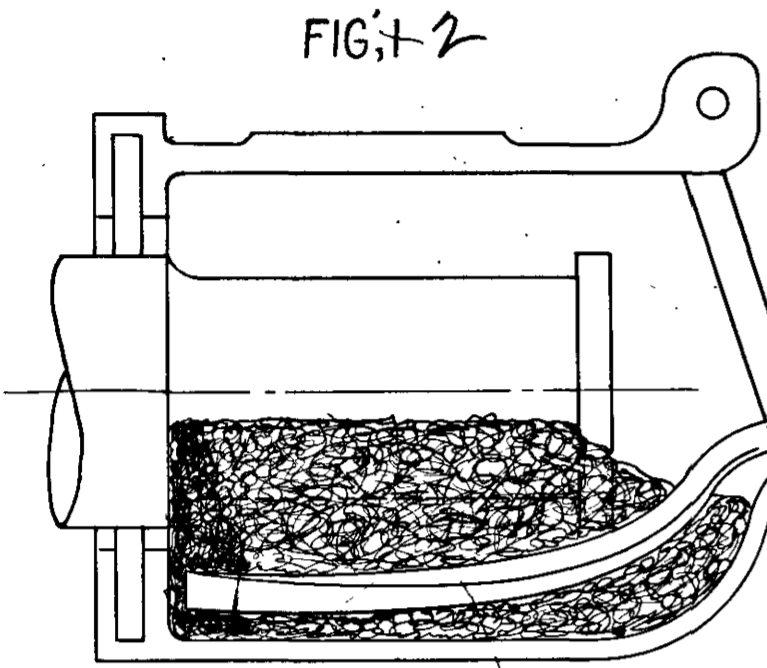


FIG. 2

"First position of packing iron, represented at A-Fig. 2.- To properly reach this position, place the back of the iron against the side and bottom of box, and force the iron to the back of the box, as soon as end of iron comes in contact with back of box give the handle a twisting movement as shown in dotted outlines at B-Fig. 2 and C-Fig. 1. This movement will work the waste up under and against bottom of journal and also force the oil that is in bottom of box up and into packing bringing it in contact with journal. Then draw the iron out keeping it against side of box while doing so. Repeat this on each side of journal."

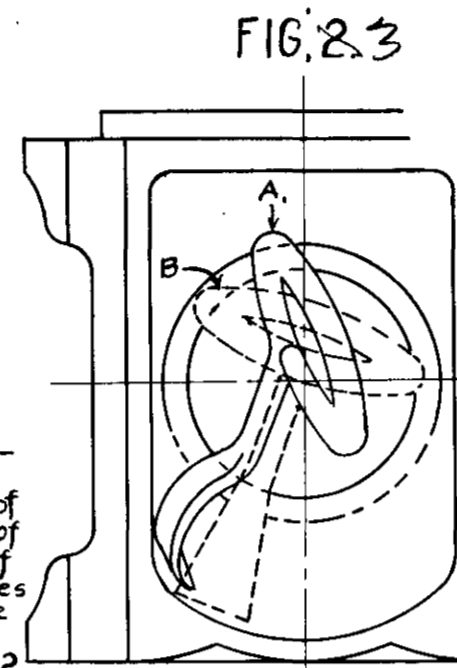


FIG. 2, 3

Fig. 3 Having completed the above operation place the packing iron on top of the packing and press it firmly down the full length of journal and into the opening made by the first operation of packing iron. (as indicated in Figs 1 & 2) This will tend to hold packing under journal.

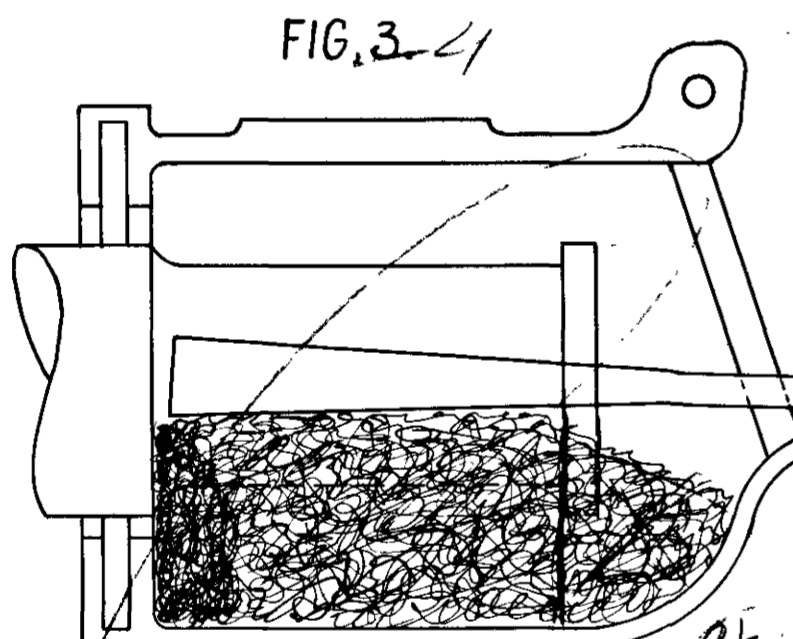


FIG. 3, 4

Fig. 4.- To properly pack the front of the box, with the iron in position shown at E. Fig. 4 press the packing down along the front of the box. This movement will turn packing under and will cause the dirt and worn packing to roll away from the journal as indicated

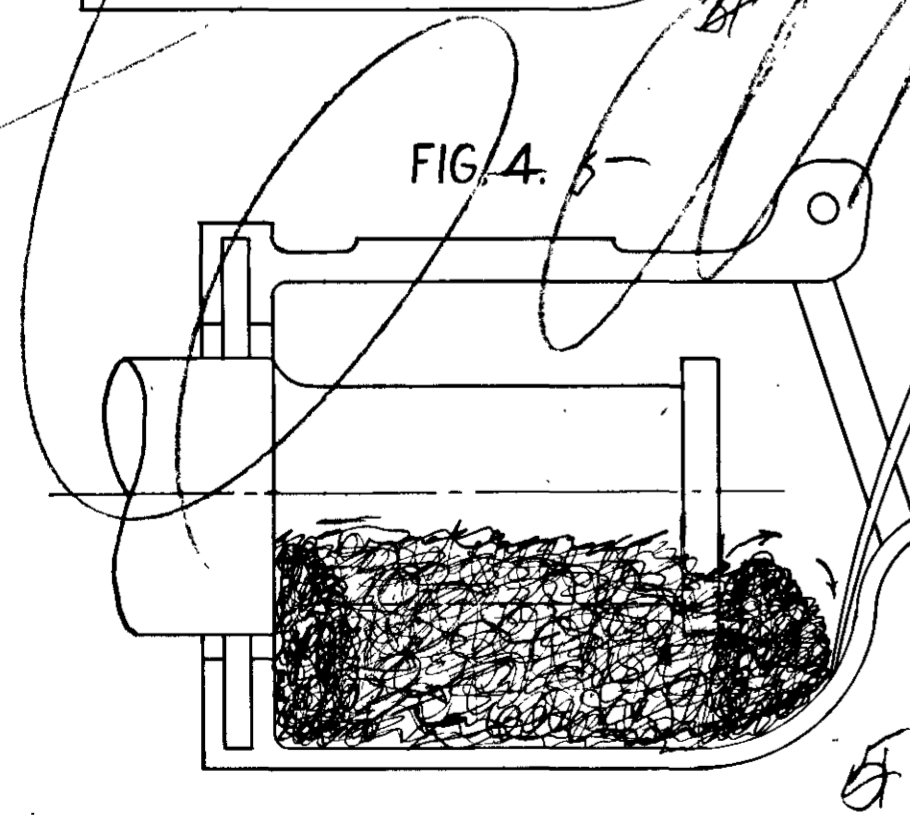


FIG. 4, 5

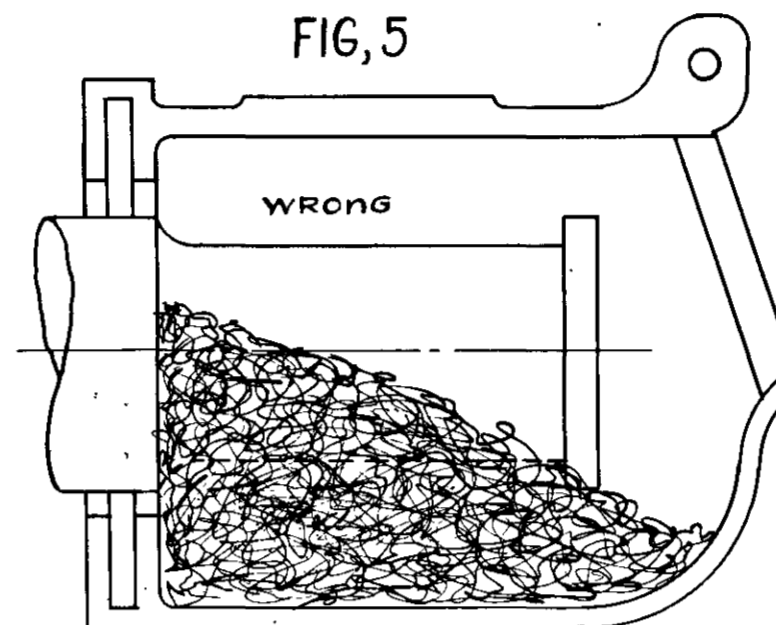


FIG. 5

NR5.- While packing in this form may exclude dust and permit little leakage of oil, it is however impossible to maintain packing in any definite shape or position, and in case of an irregular or jumping movement of brass, caused by rough track or an emergency application of the brakes, a small portion of the packing would in all possibility be nipped or caught up by the brass and drawn into the bearing surface and cause a "HOT BOX."

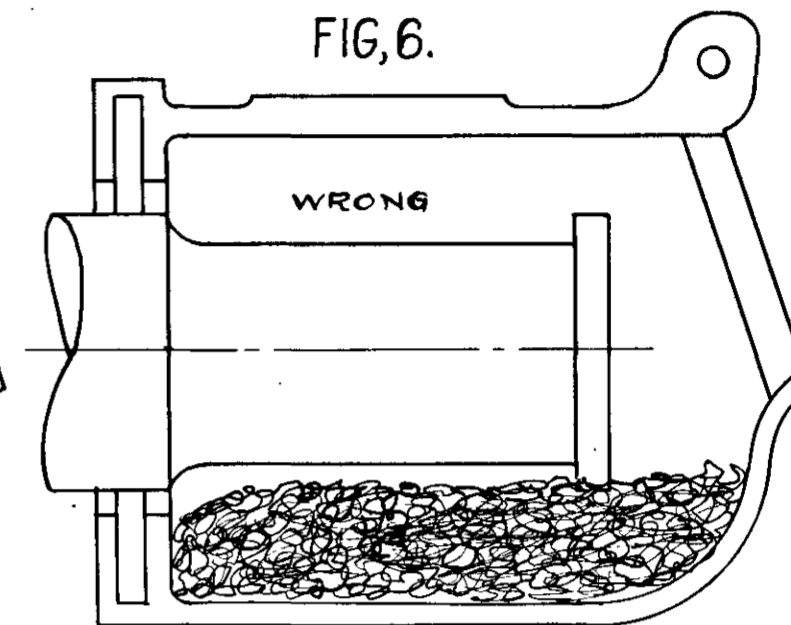


FIG. 6

NR6.- Showing packing settled away from journal due to wear of brass. By handling the packing iron as shown in Figs. 1, 2, 3 & 4, this packing will be brought up in contact with the journal.

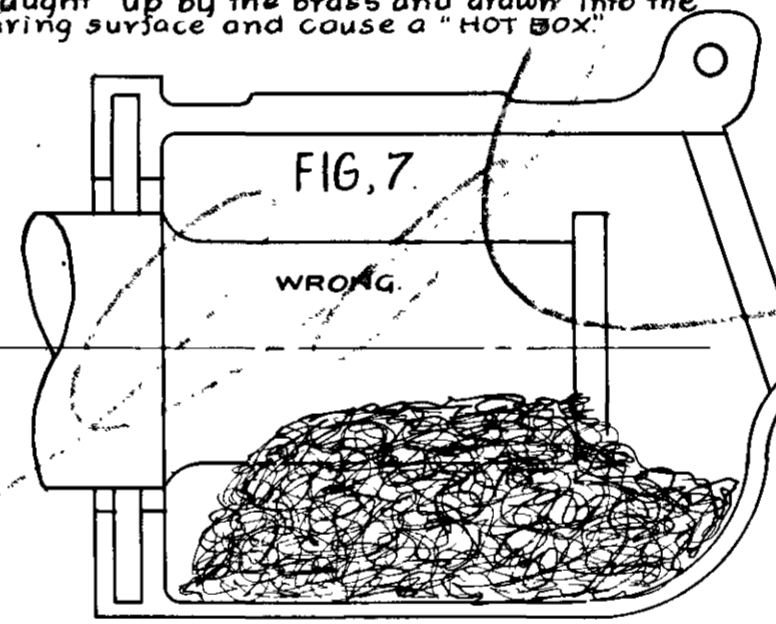


FIG. 7

NR7.- An apparently well packed Journal Box, the back of which is however, open and unpacked, permitting a free entrance of dust and a waste of oil, would result in a "HOT BOX."

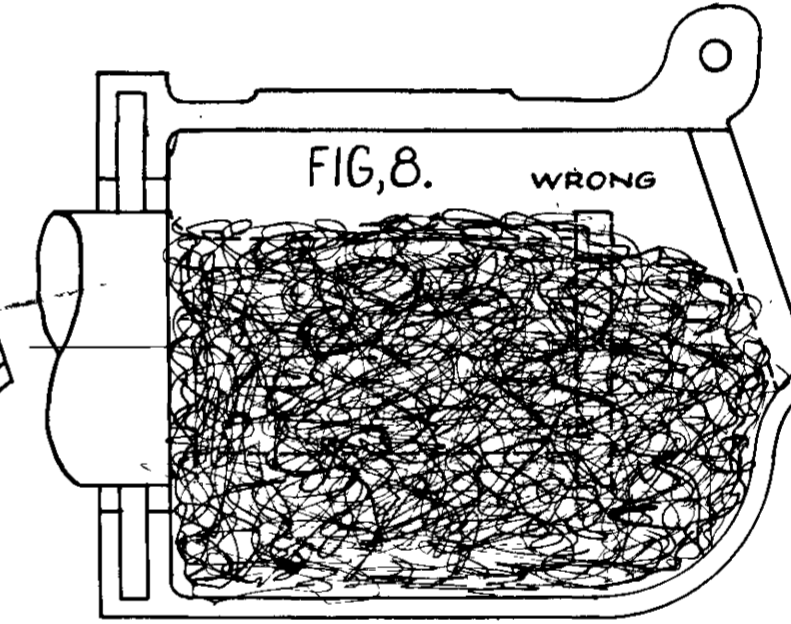


FIG. 8

NR8.- An over packed Journal Box, causing great danger of the packing being nipped or caught up by any irregular movement of the brass and drawn into the bearing surface, also a waste of material.

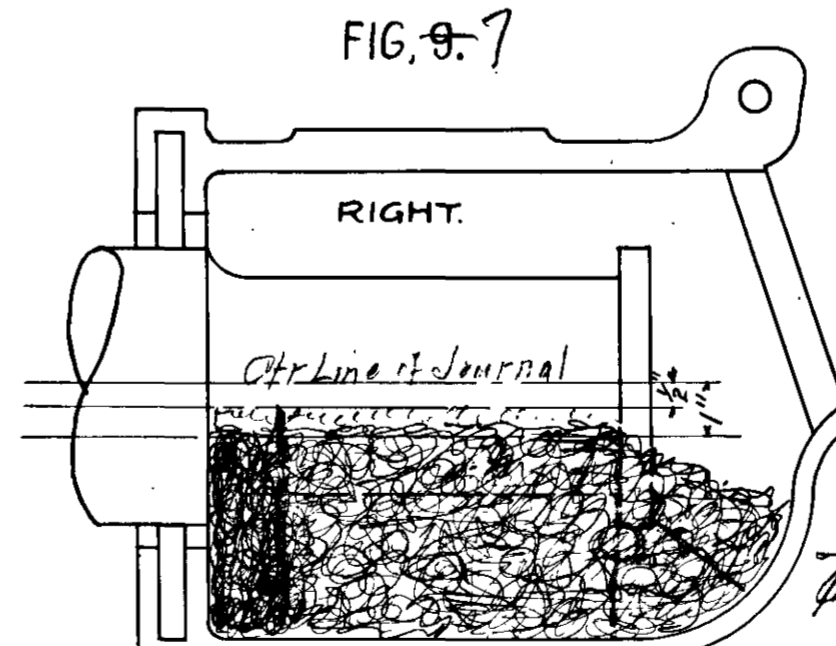


FIG. 9

NR9.- A PROPERLY PACKED JOURNAL BOX. Allow no portion of the packing within one half inch ( $\frac{1}{2}$ ) of the center line of the journal, nor lower than one inch (1") below the center line of the journal as shown above in Fig 9.- Fig 10 represents a



FIG. 10

Fig 1

A PROPERLY PACKED JOURNAL BOX, CONT'D. twisted form of packing to be placed in the back of the box, to better exclude dirt and avoid waste of oil. - Balance of box to be packed with loosely formed portions of packing, packed firmly under and more lightly on the sides of the journal. - The portion in the front of the box, to be separate from that back of the collar of the journal. This method of packing Journal Boxes will prevent the packing being drawn out of place and shape.



THE OREGON-WASHINGTON RAILROAD  
AND NAVIGATION CO.  
AND  
SOUTHERN PACIFIC CO.-LINES IN OREGON  
MOTIVE POWER AND CAR DEPARTMENT  
APPROVED.

ASST. GENERAL MANAGER  
PORTLAND OREGON

JUNE 3 1911

5 4064