

UNION PACIFIC

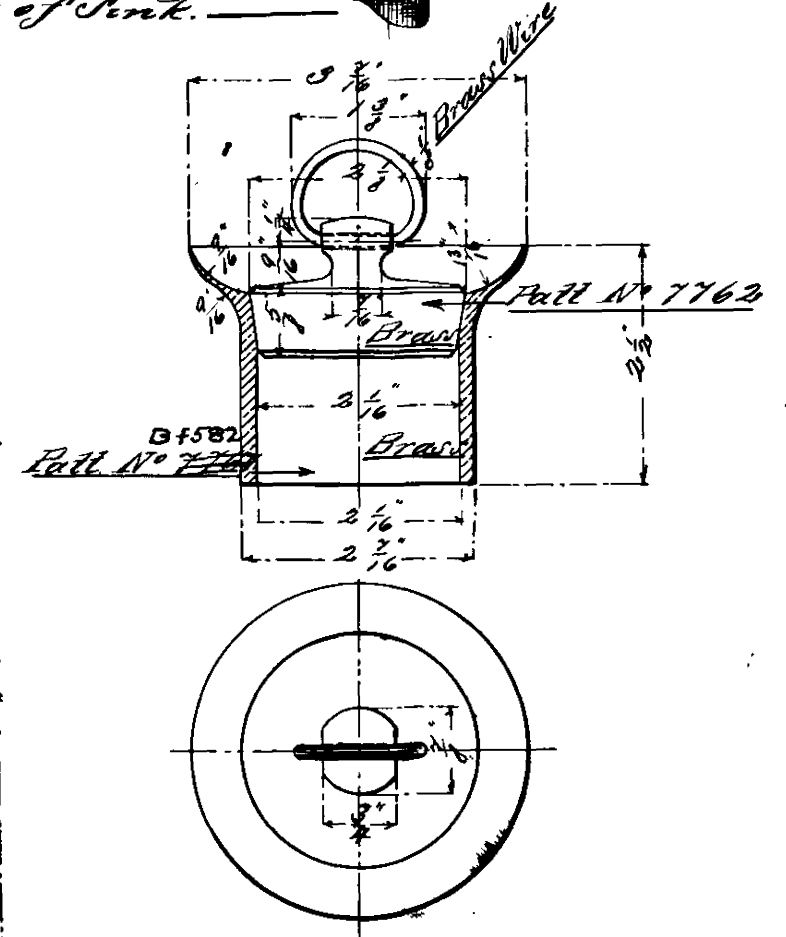
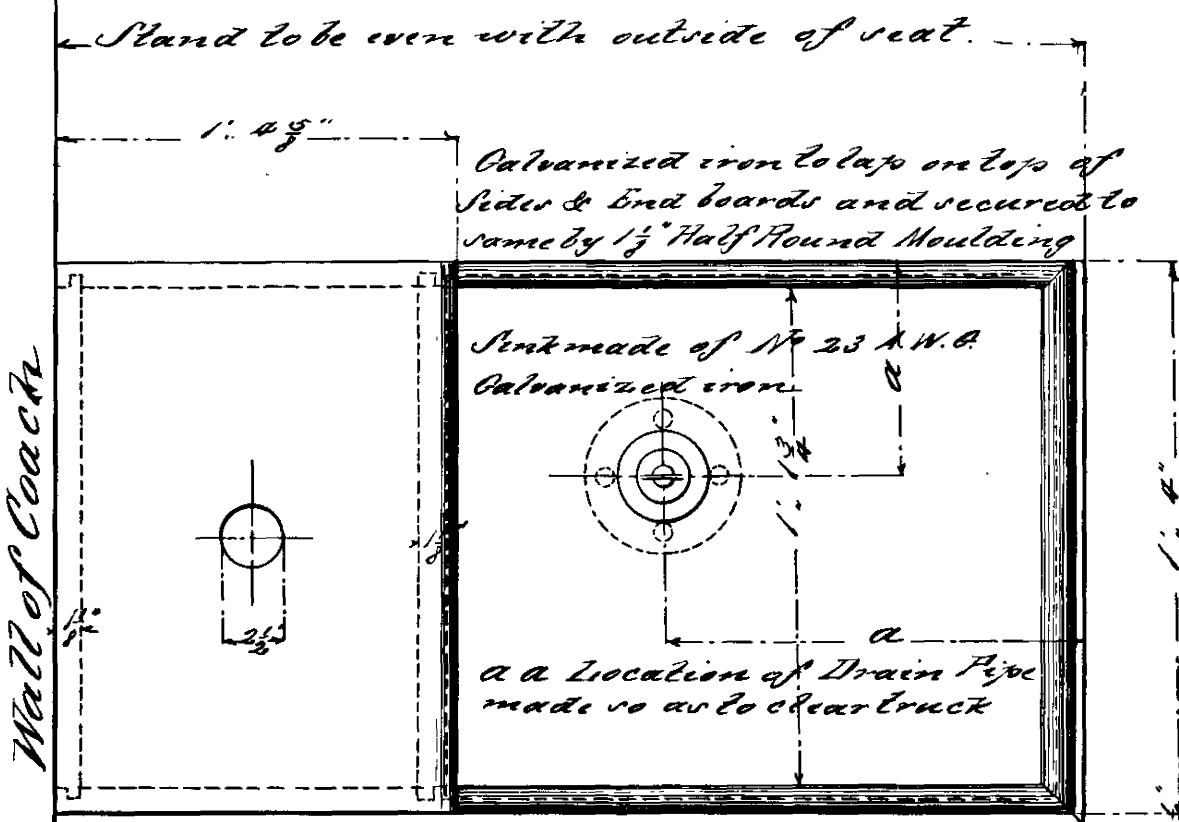
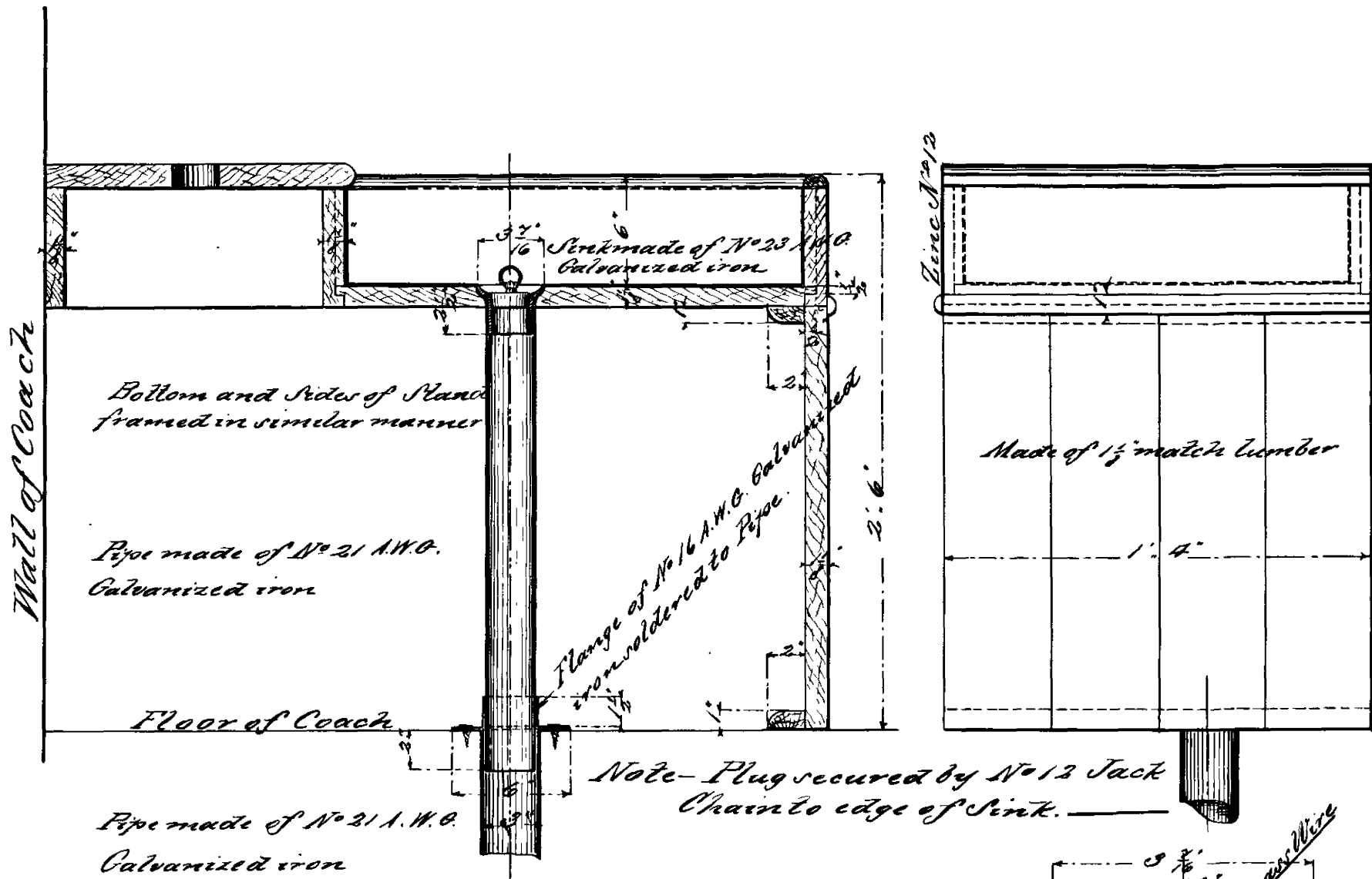
OFFICE SUPT OF MACHINERY.

SINK A

Omaha Neb

Scale $1\frac{1}{2}$ ins & 6 ins = 1 ft

March 1888.



Face of Sink covered with No. 12 Sheet Zinc secured on top by $1\frac{1}{2}$ " and at bottom by 1" Half Round Moulding