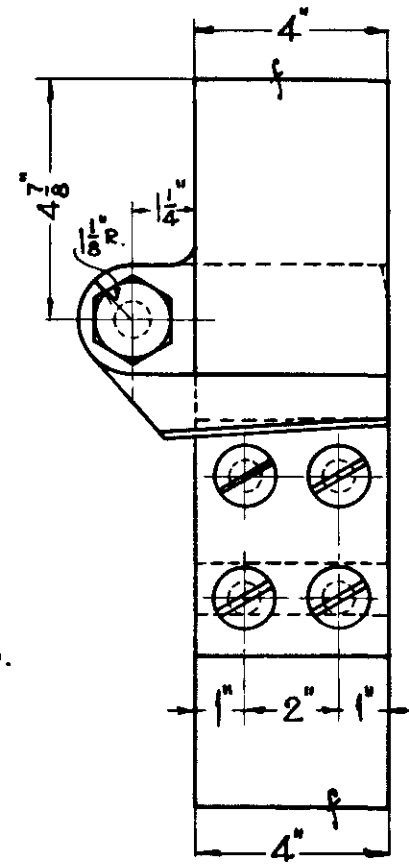
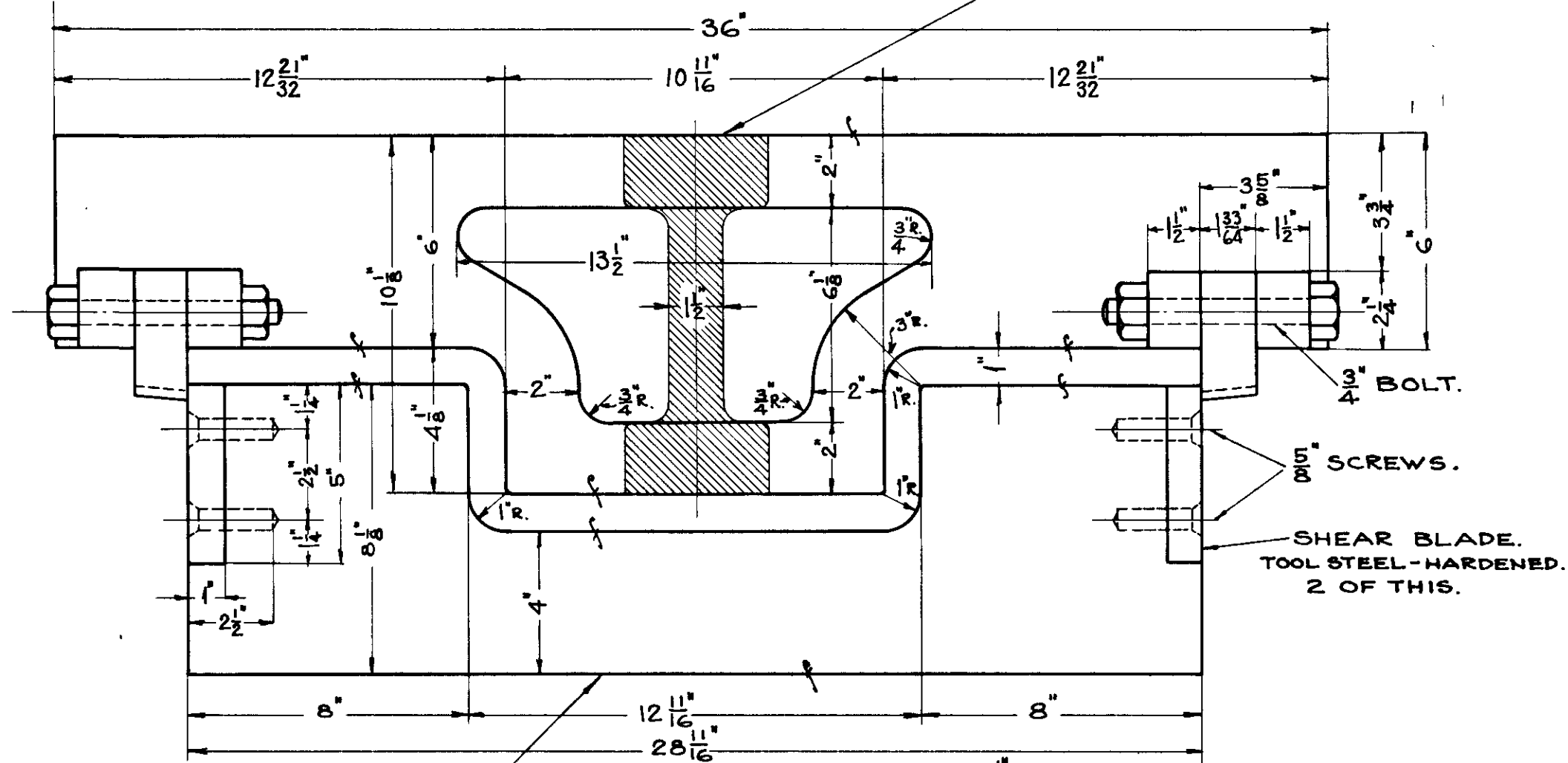
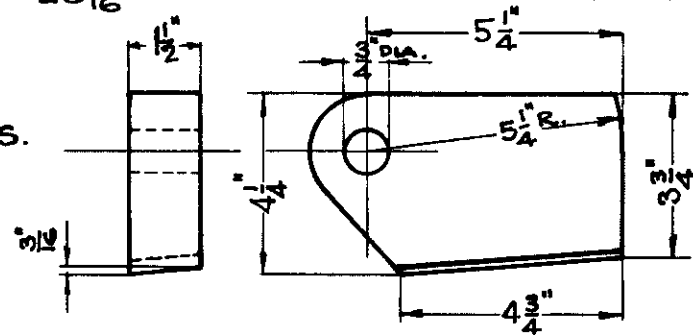


CAST IRON.  
 PATT. No. ST-678.  
 APPROX. WEIGHT = 250 LBS.



CAST IRON  
 PATT. No. ST-679.  
 APPROX. WEIGHT = 200 LBS.



SHEAR BLADE  
 TOOL STEEL-HARDENED  
 1 RIGHT & 1 LEFT.

LOS ANGELES & SALT LAKE R.R.

DIES  
 FOR FORMING & SHEARING DRAFT LUGS.

LOS ANGELES, CAL. DEC. 18, 1924

DRAWING B-1525	
REVISIONS	

CORRECT *H Weaver*  
 MECH'L. ENGR.

APPROVED *J. Flou*  
 SUPT. M. P. & M.

FOR DRAFT LUGS SEE DRAWING A-454.

