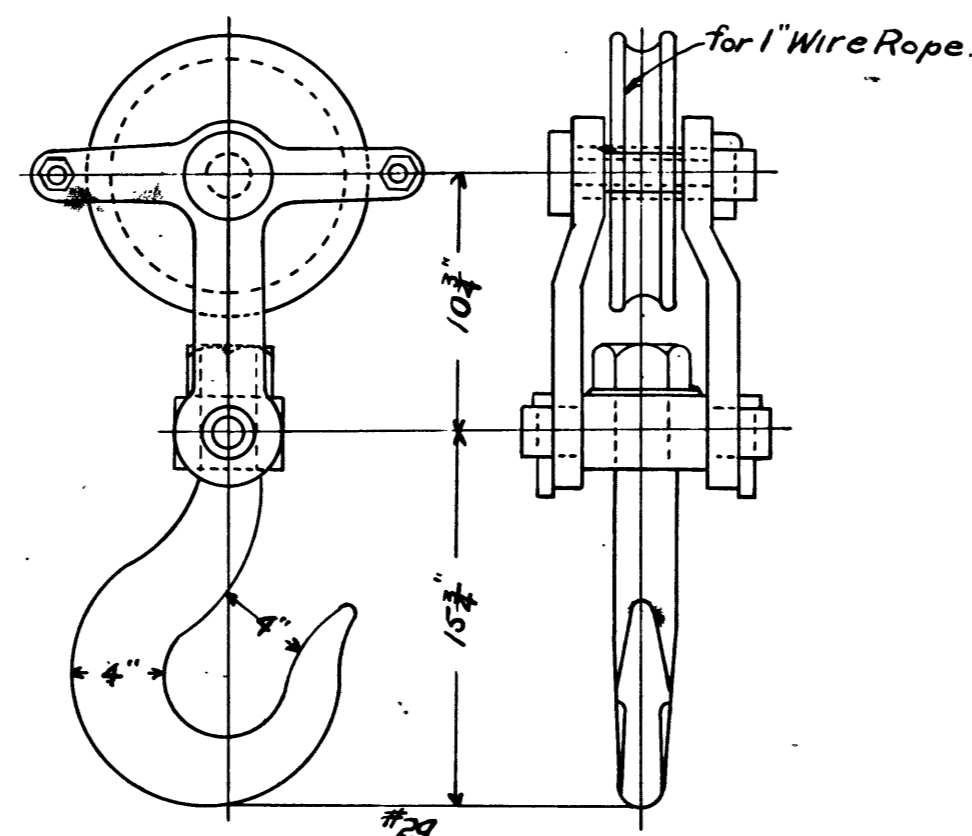
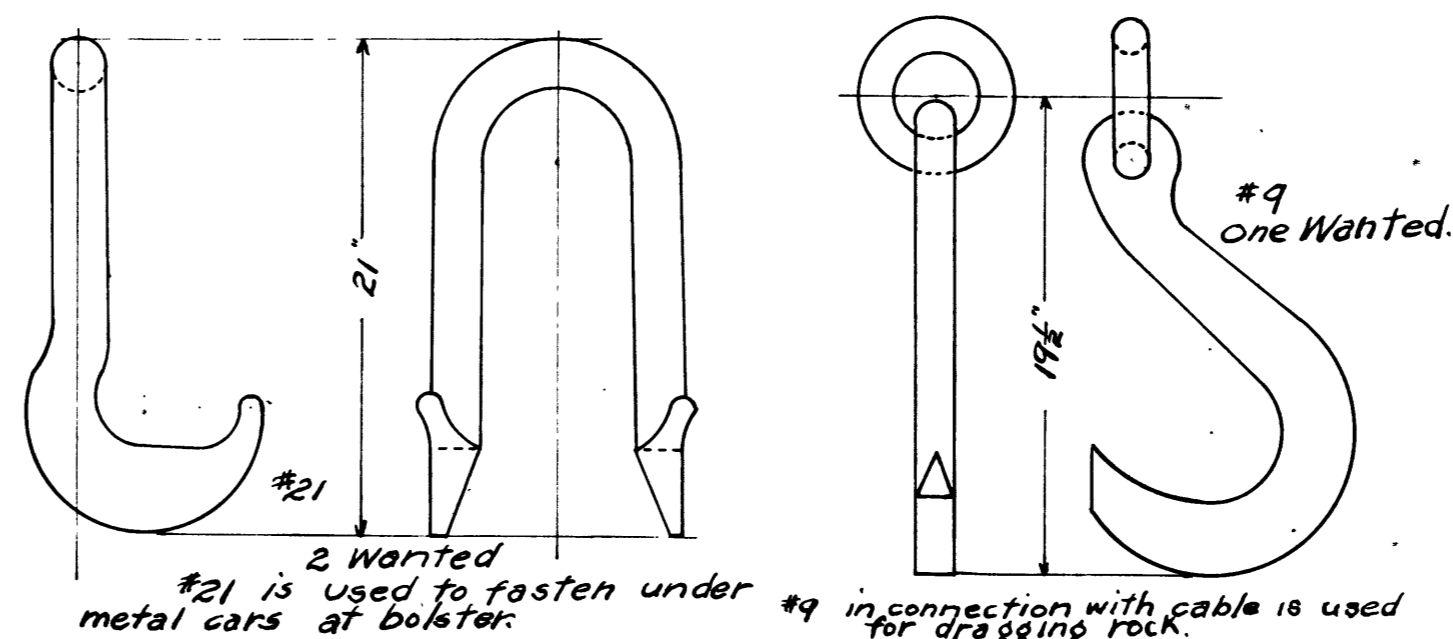


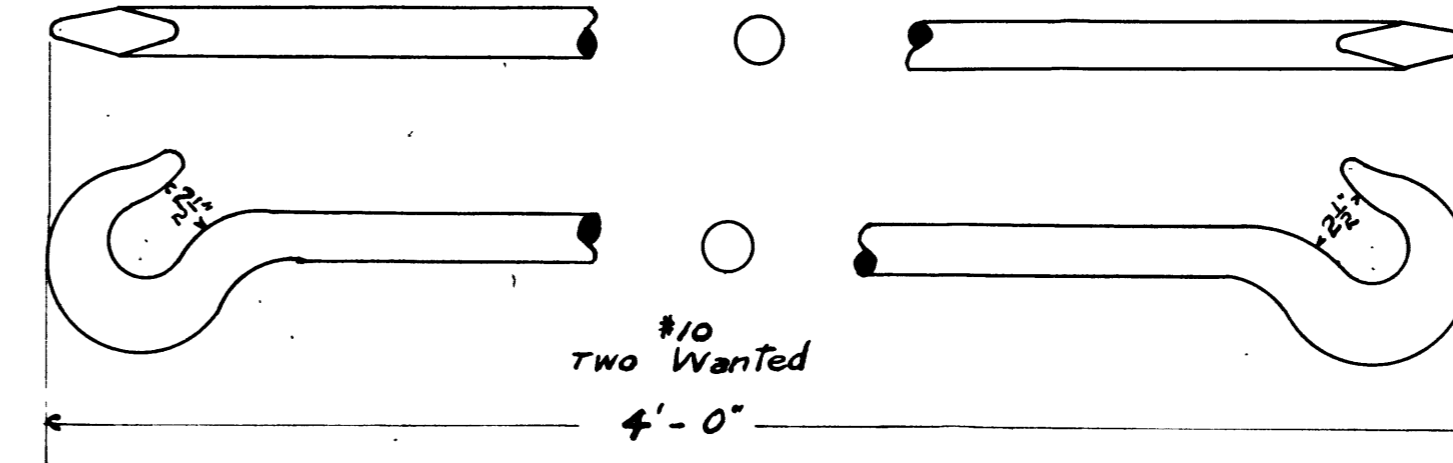
Hoist Beam
 One Wanted — No's 1 to 5 1/2 to make one complete
 Used to prevent damaging cars when lifting them.



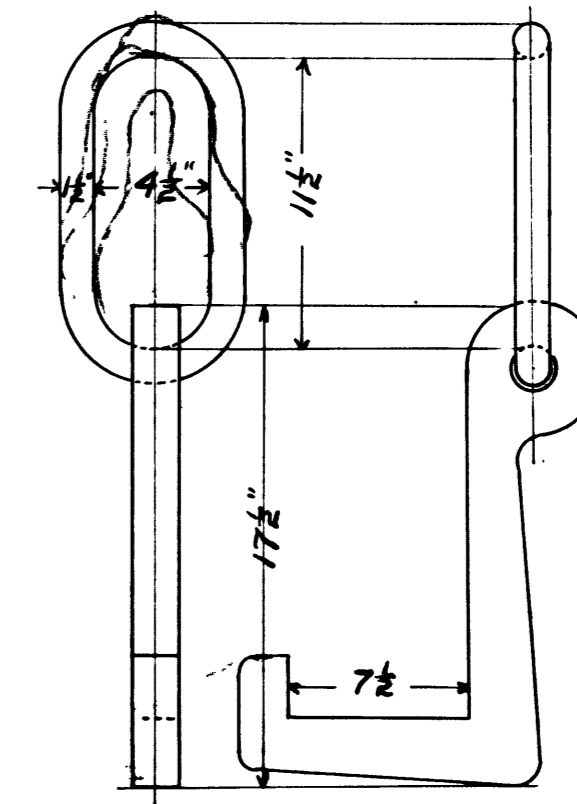
Sheave block for light hoisting.
 One Wanted.



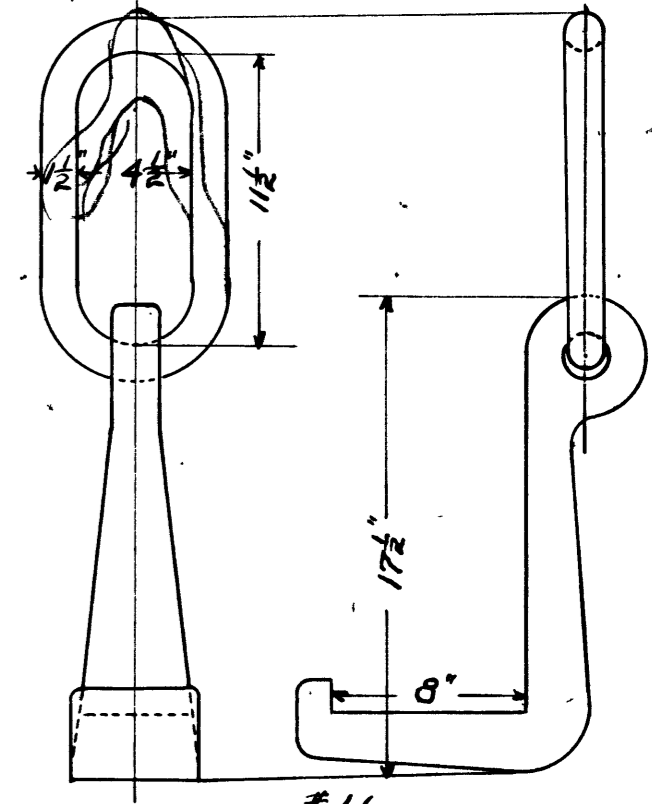
#21 2 Wanted
 #21 is used to fasten under metal cars at bolster.
 #9 in connection with cable is used for dragging rock.



#10 Two Wanted
 4'-0"

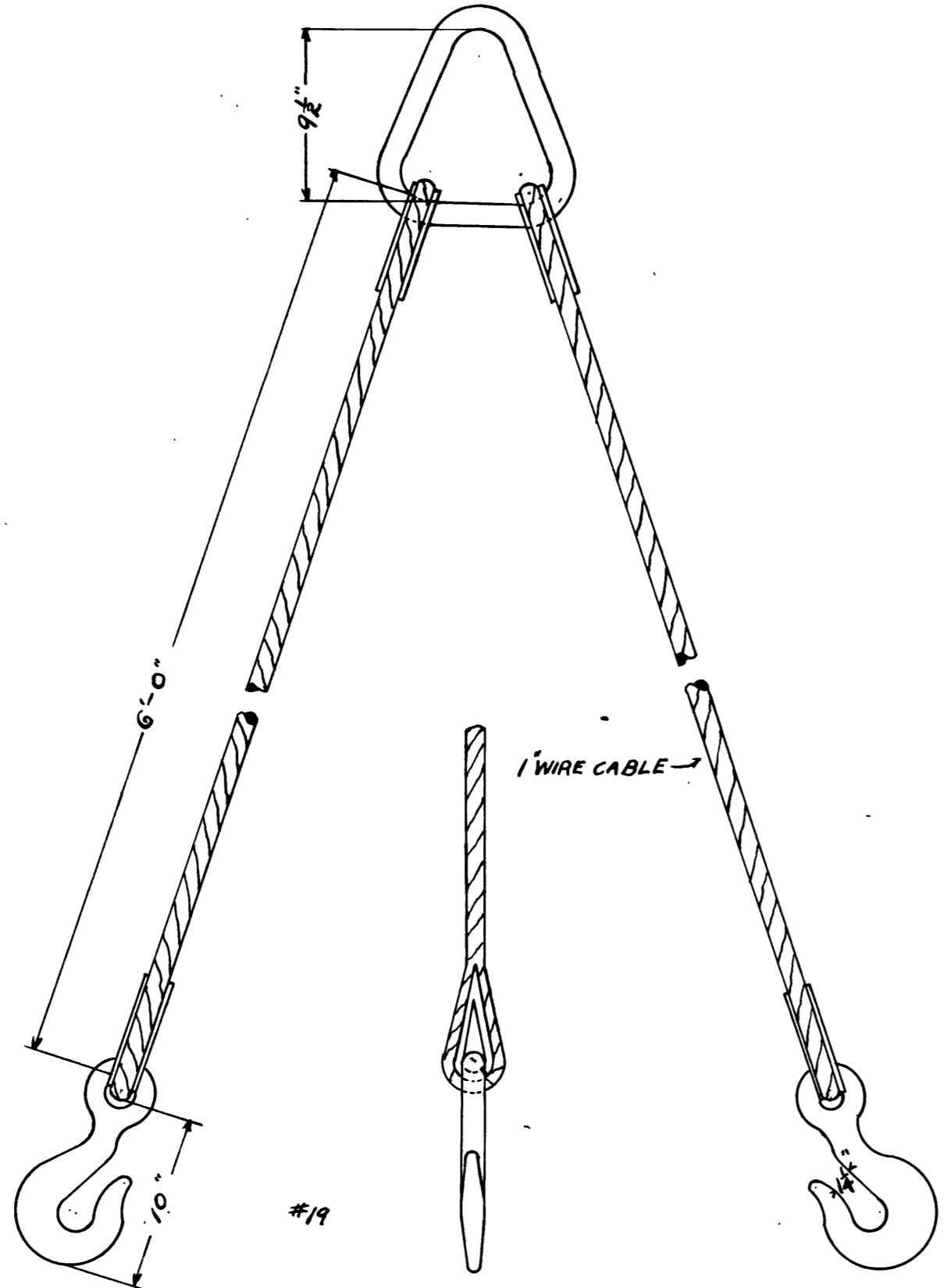
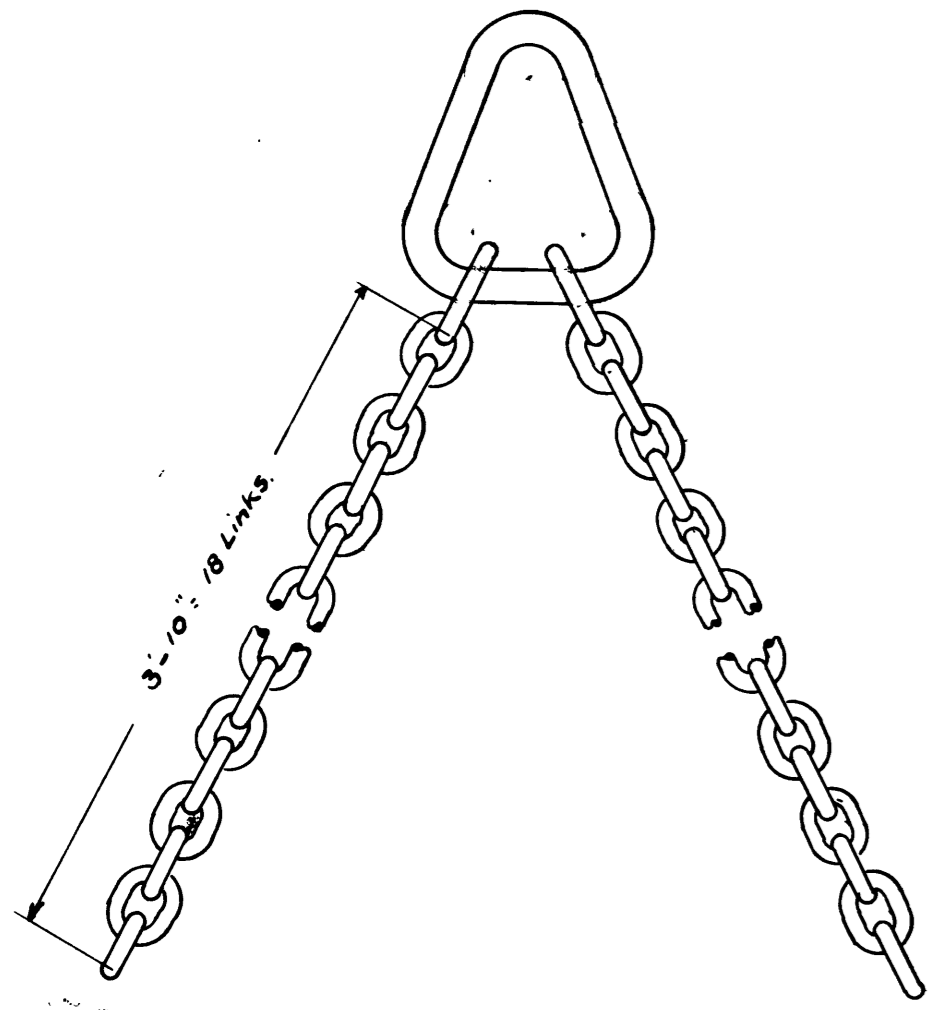


#12 Two Wanted

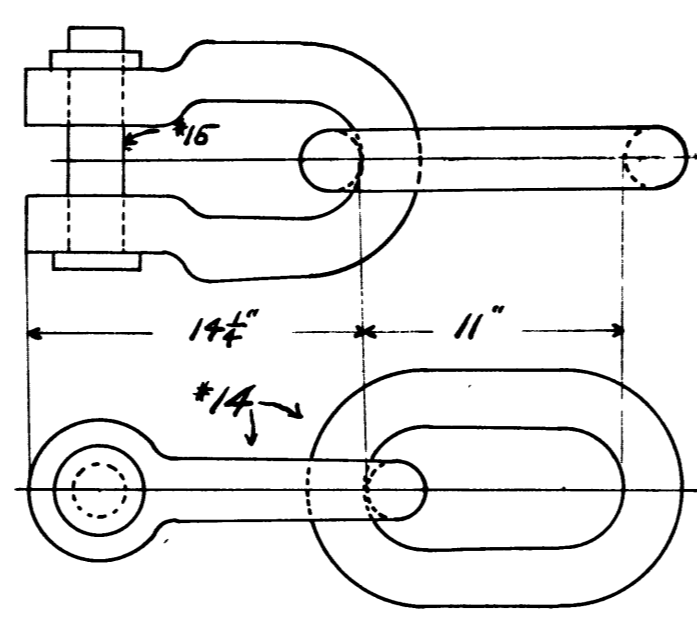


#11 Two Wanted

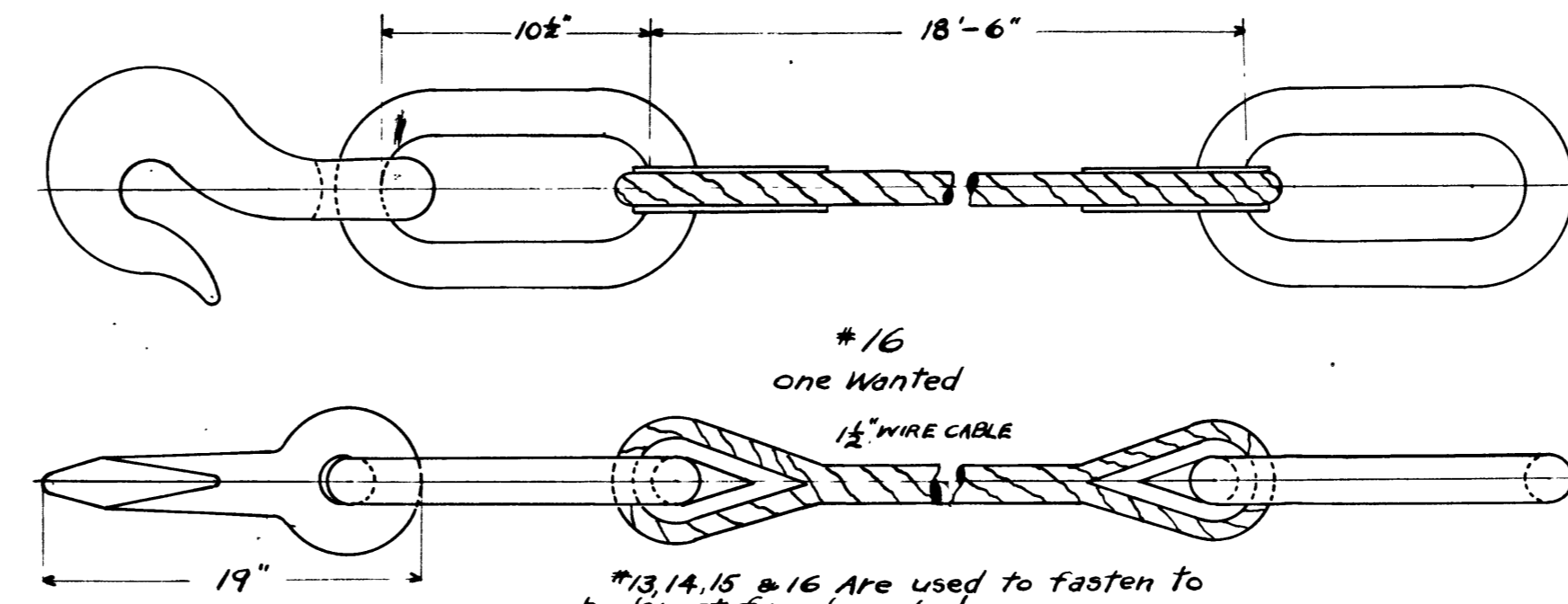
Details #10 #11 & #12 are used to lift cars by hooking around the side sills



#19 One Wanted
 #19 is intended to be hooked to raise shingles when lifting cars without couplers.

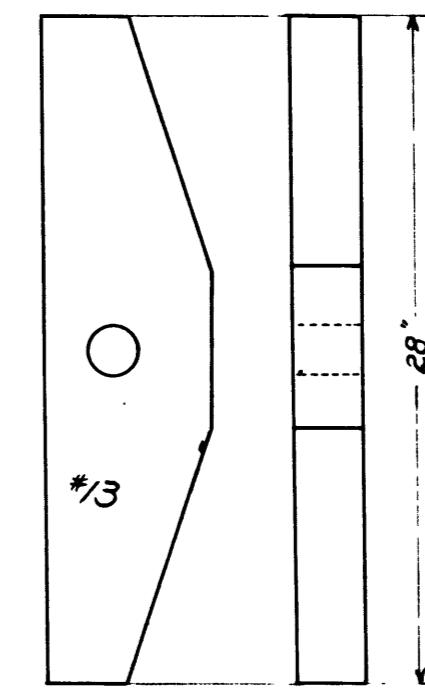


#13, 14 & 15. One of each wanted.

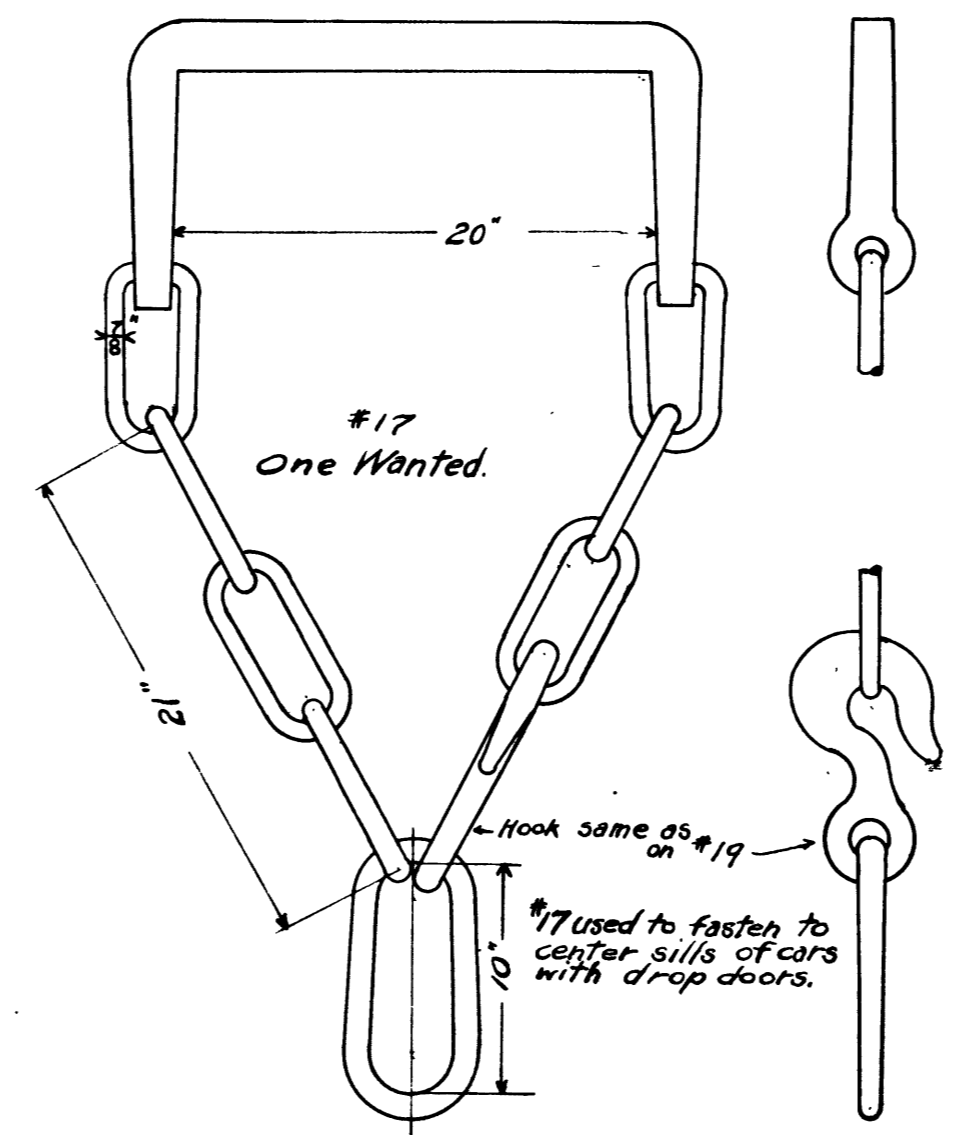


#16 One Wanted
 1 1/2" WIRE CABLE

#13, 14, 15 & 16 are used to fasten to boiler at fire door hole.



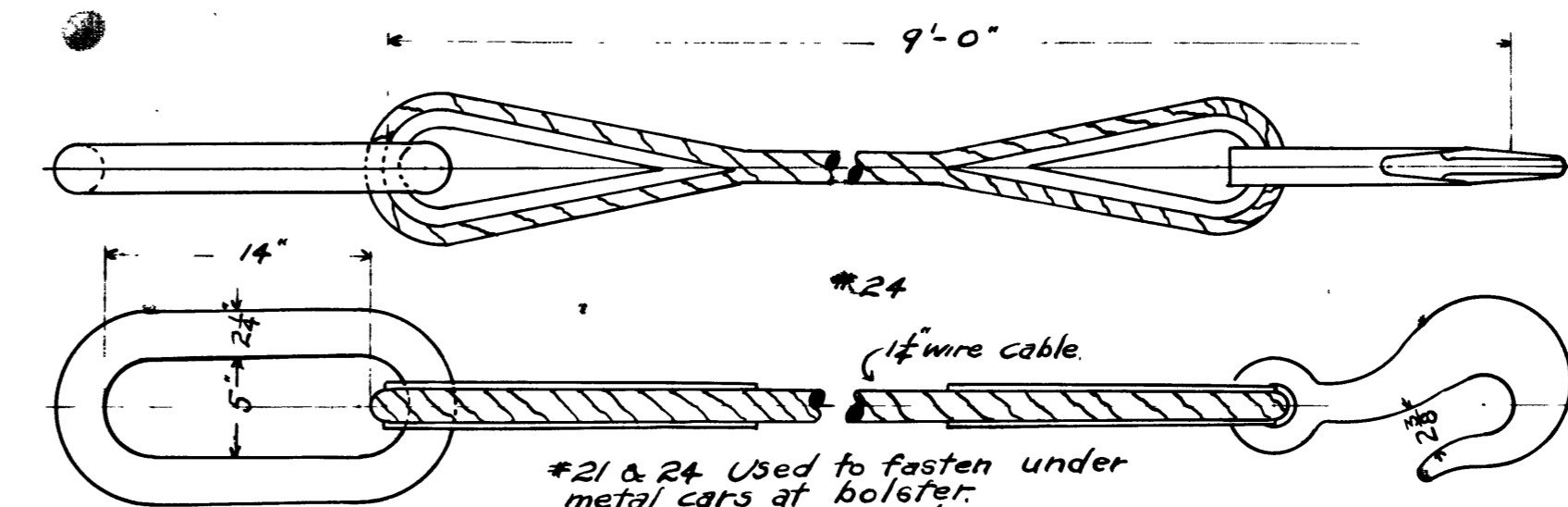
#3



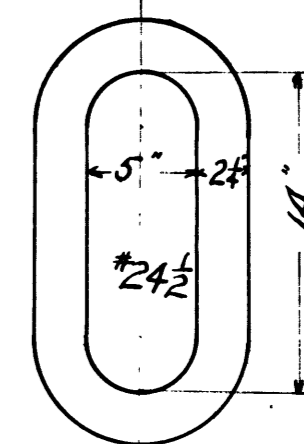
#17 One Wanted

Hook same as #19

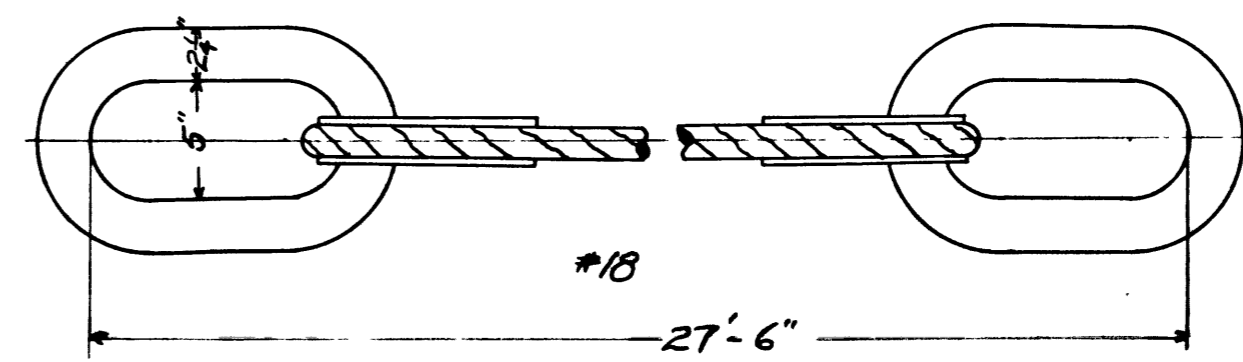
#17 used to fasten to center sills of cars with drop doors.



#21 & 24 Used to fasten under metal cars at bolster. 2 Wanted.



Two Wanted.

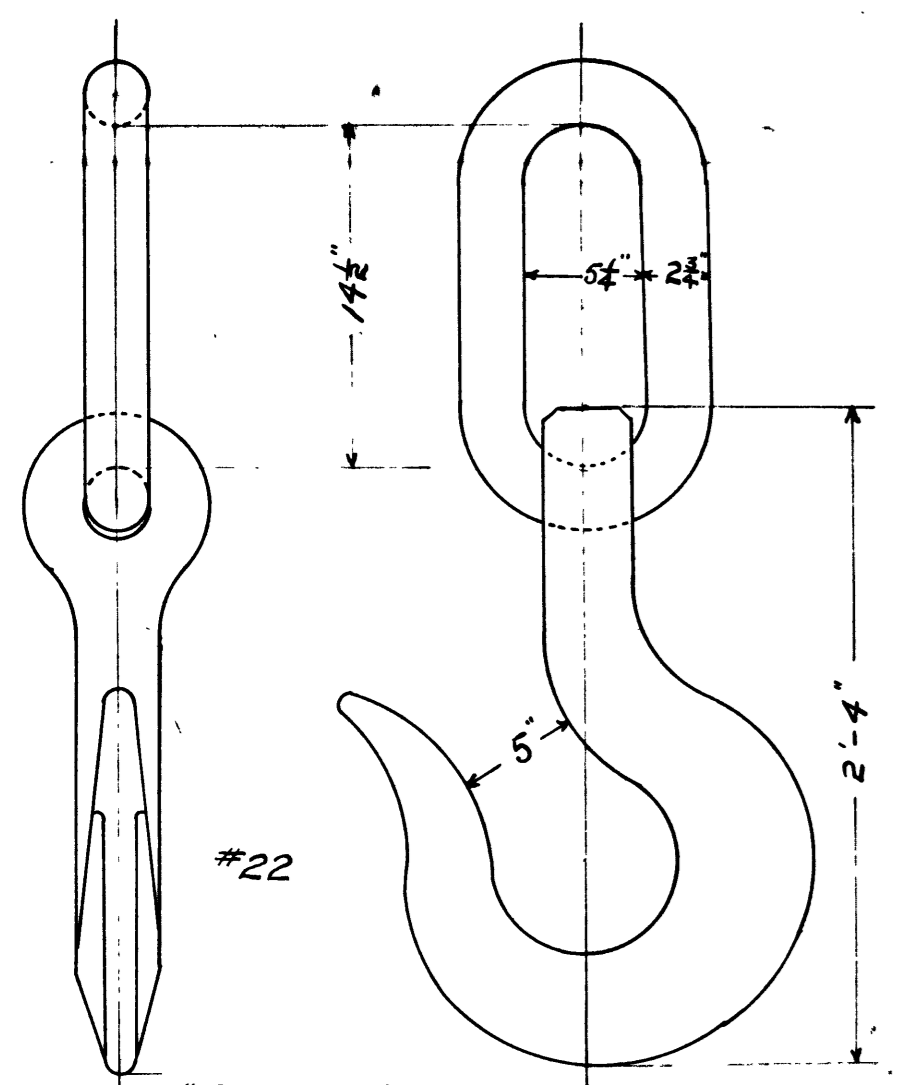


#18

27'-6" 1 1/2" WIRE CABLE

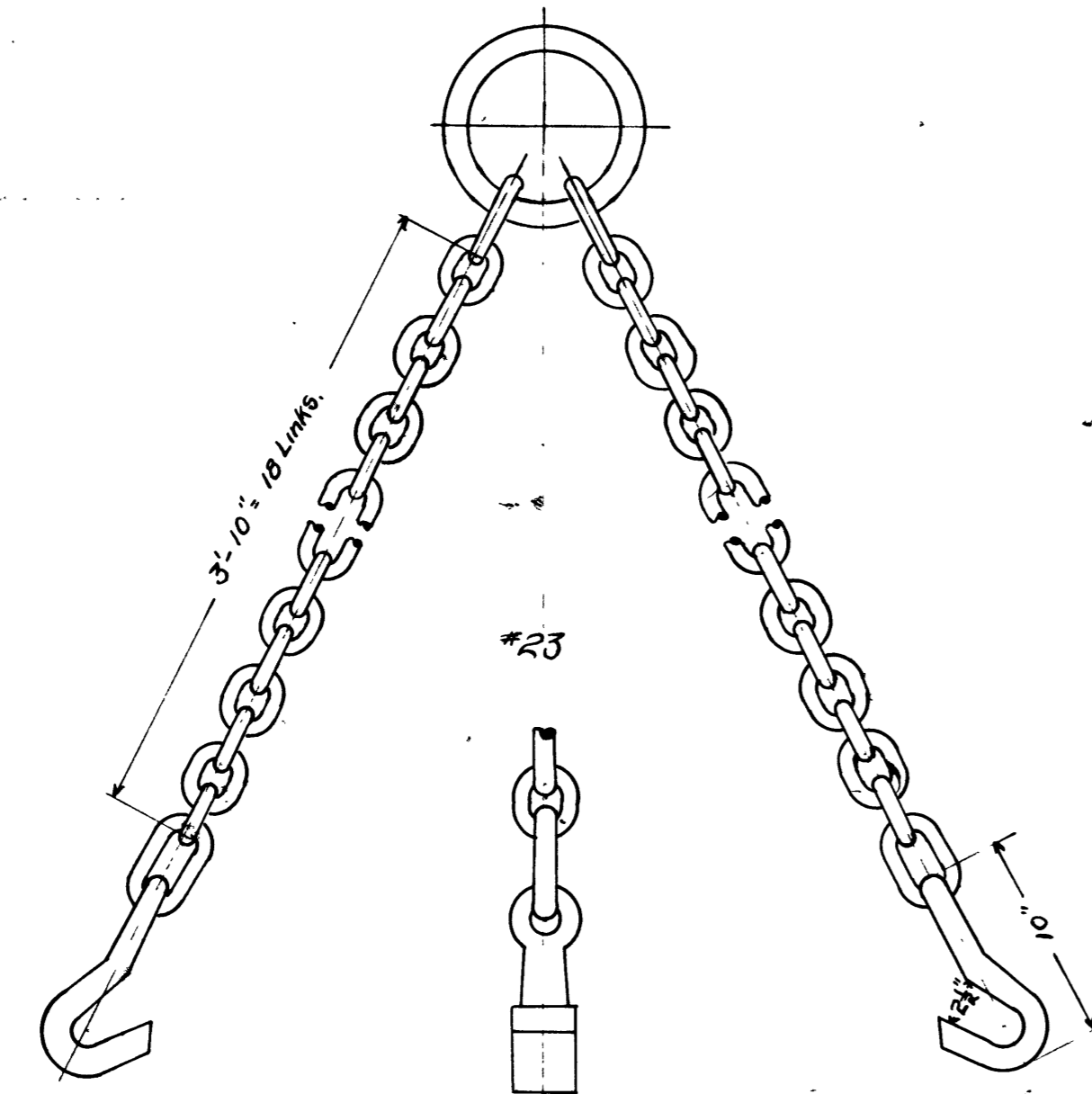
One Wanted

#18 used as a sling under boiler.



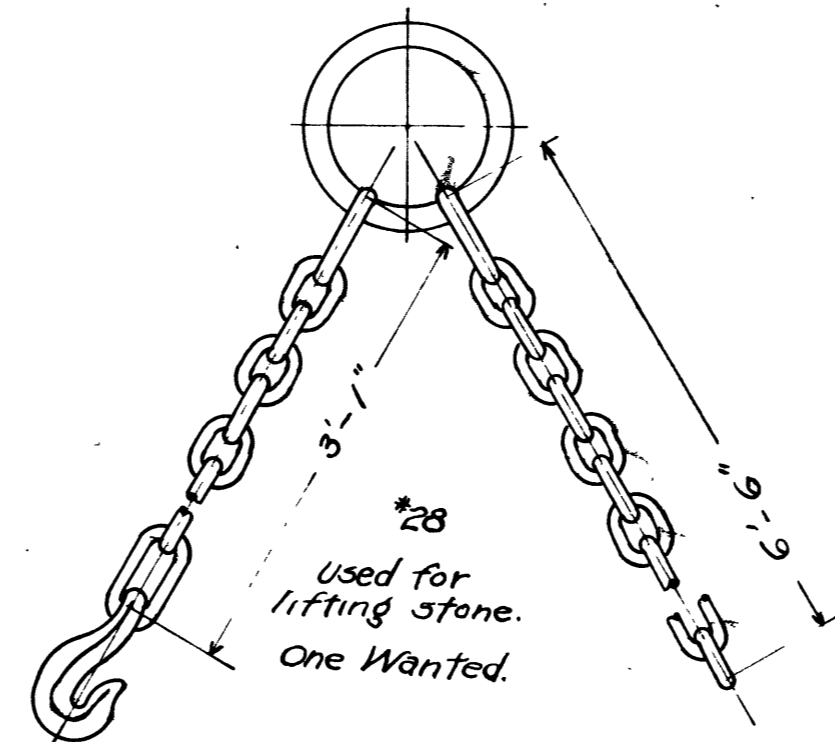
#22

#22 Used for heavy lifting on engine work. One Wanted.



#23

One Wanted
 #23 used for lifting trucks.



#28

Used for lifting stone. One Wanted.

WRECKING TOOLS.

S.P.L.A. & S.L.R.R.

LOS ANGELES, CAL.

R-22-'08.

APPROVED

SUPT. MACHY.

