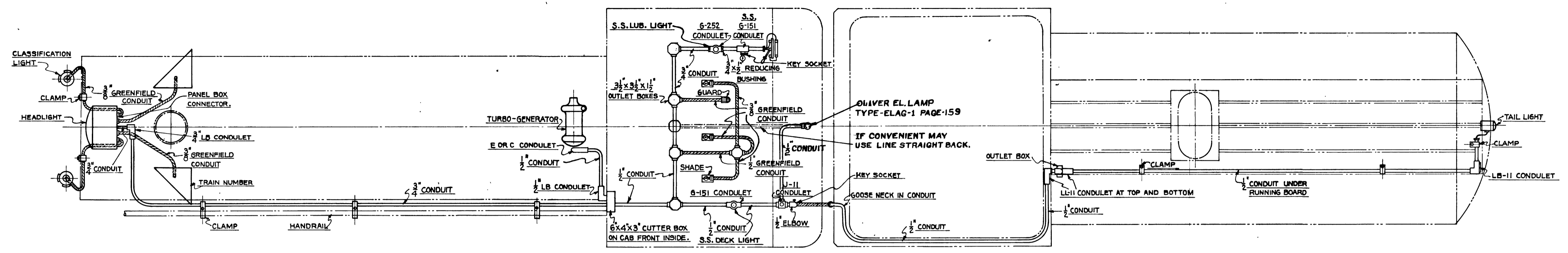
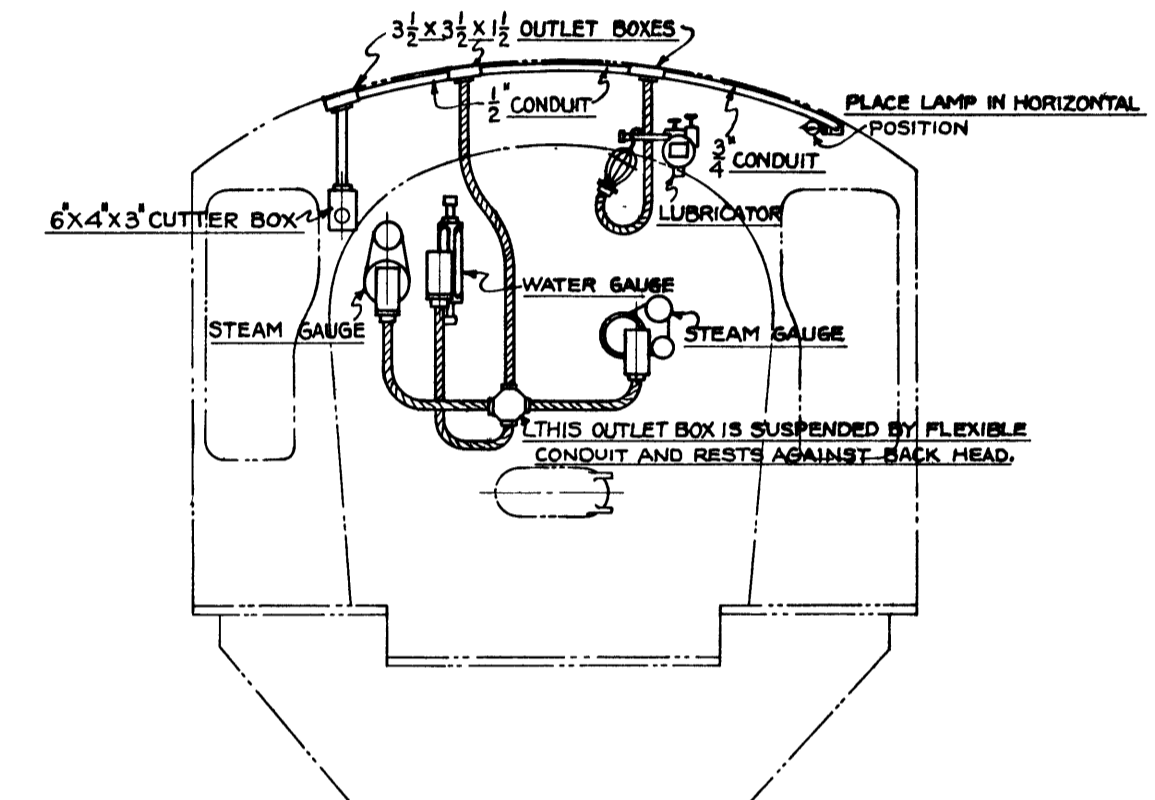


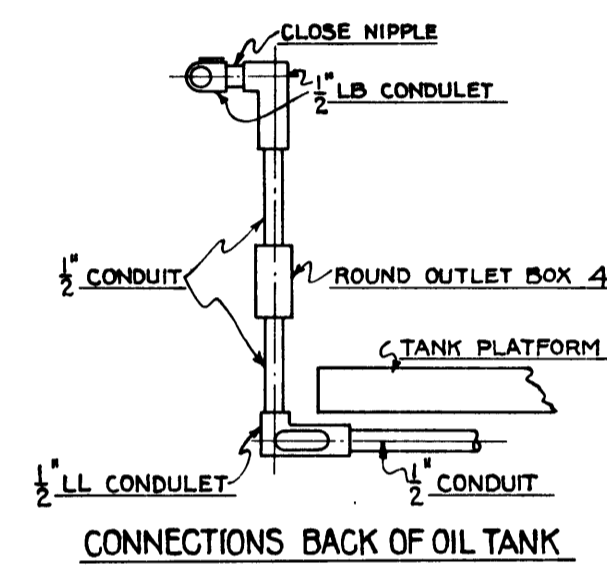
USED ON	LOCOS
CLASSES	
	1590
	2700
	3150
	3176
	3376
	6000



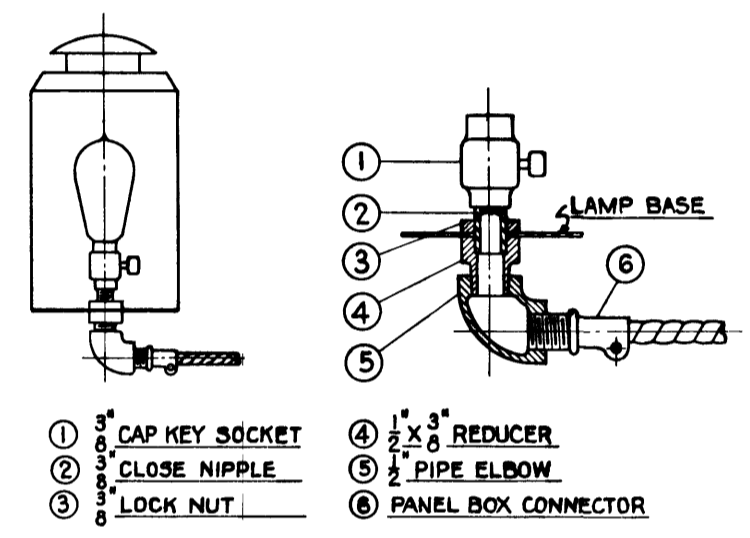
CONDUIT DIAGRAM



LAMP ARRANGEMENT IN CAB

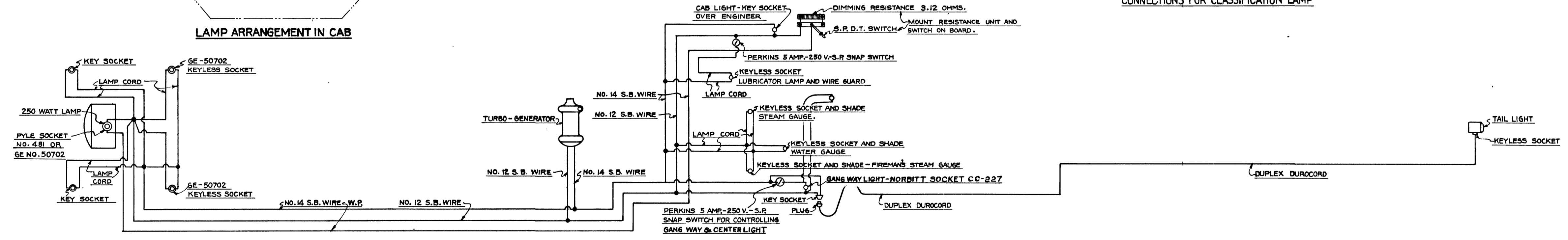


CONNECTIONS BACK OF OIL TANK



CONNECTIONS FOR CLASSIFICATION LAMP

NOTES
 WIRING DIAGRAM IS FOR ALL CLASSES EXCEPT ENGINES NO. 4226 TO 4246. CONDUIT DIAGRAM IS FOR ENGINES OF CLASSES 1590-2700-3150-3376-6000. CONDUIT ON FRONT END OF ENGINES OF CLASSES 2700 AND 3176 WILL BE MAINTAINED SAME AS AT PRESENT.



WIRING DIAGRAM



LOS ANGELES & SALT LAKE R.R.
 WIRING DIAGRAM
 LOS ANGELES, CAL. MAR. 7, 1922
 DRAWING E-1321

REVISIONS	
12-3-1925	A