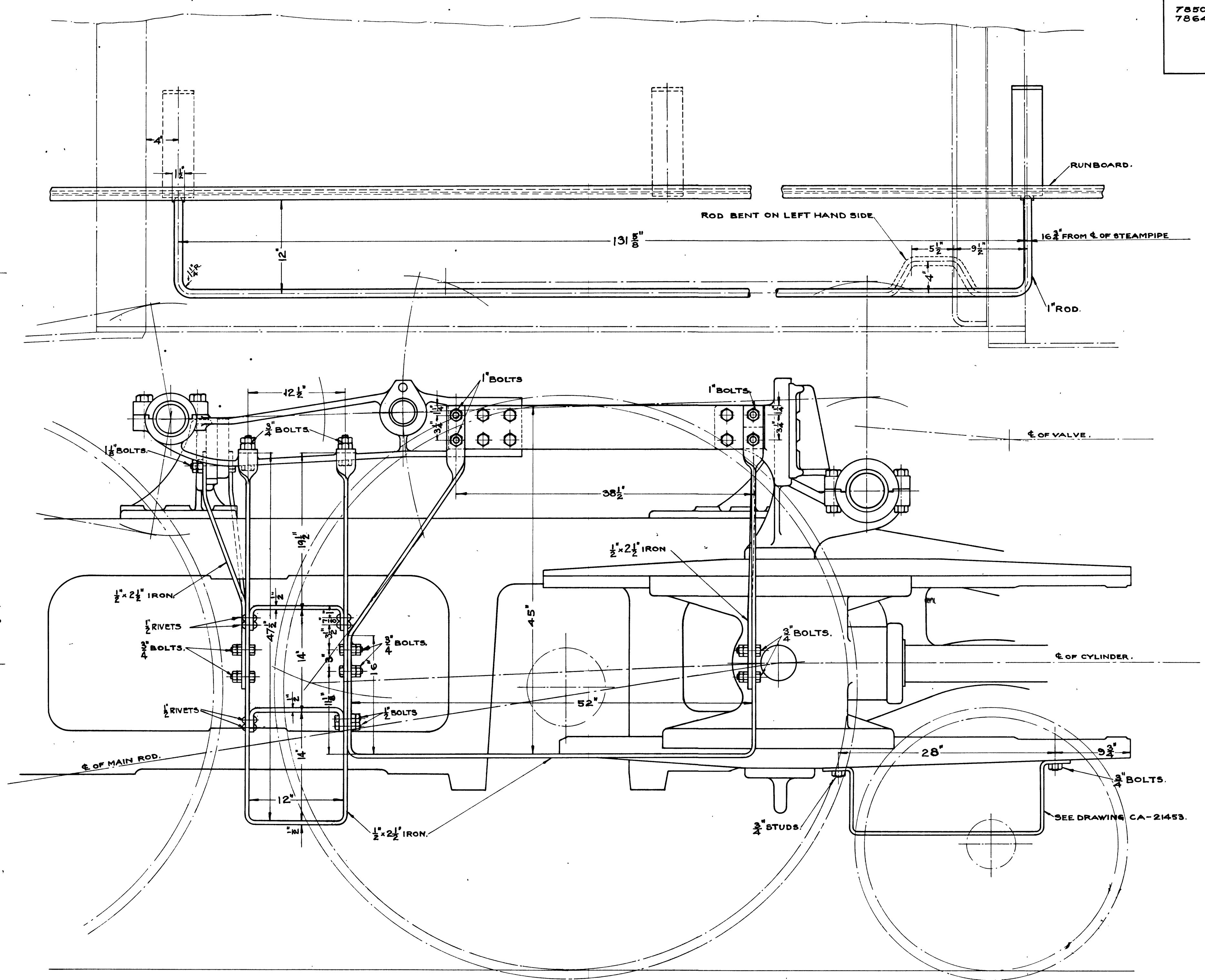
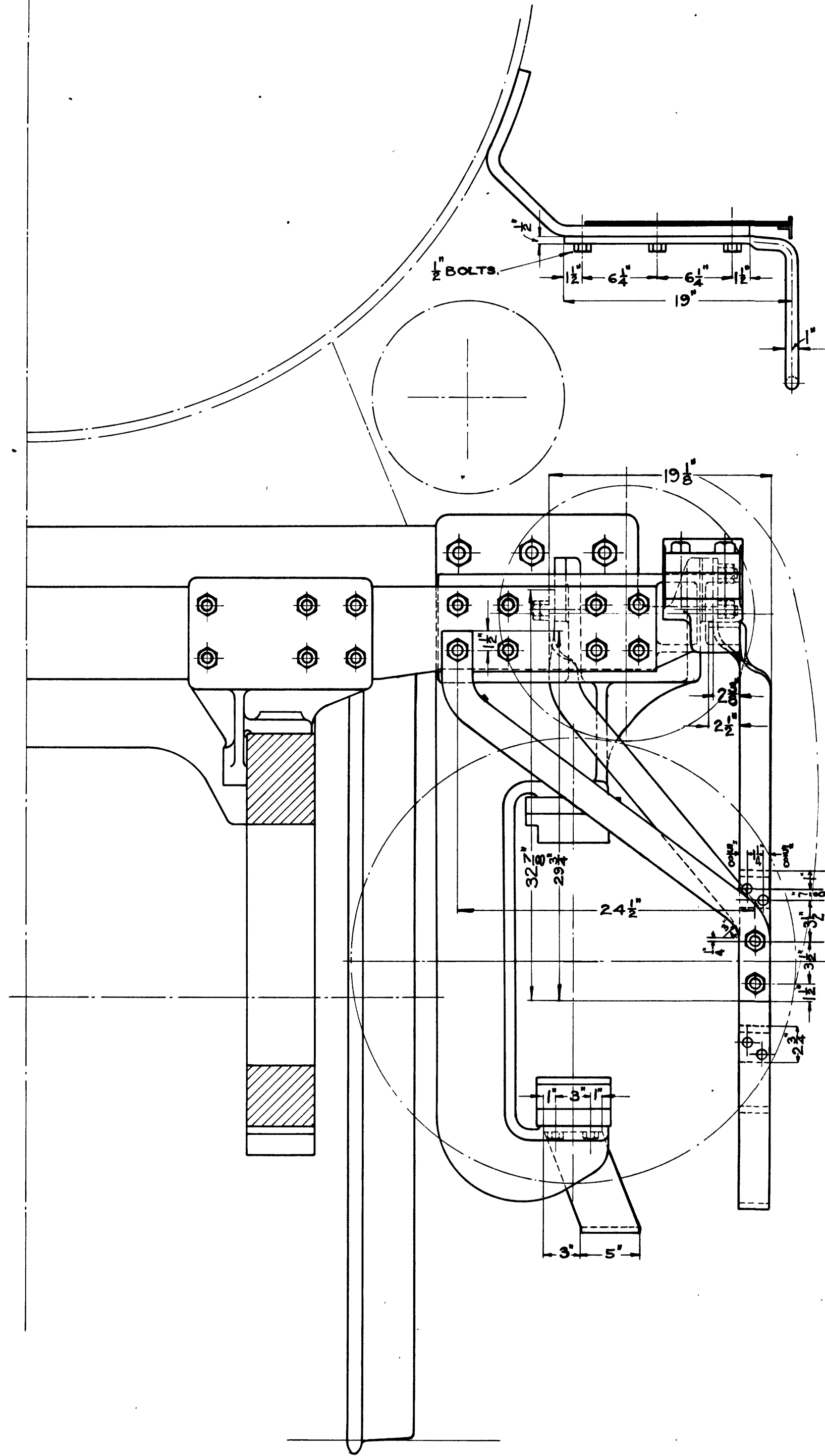


USED ON
LOCO'S
CLASSES
7850-
7864.



CORRECT *H.C. WEAVER*
MECH'L. ENGR.
APPROVED *J. P. HARRIS*
Supt. M.P. & M.

LOS ANGELES & SALT LAKE R.R.
HAND RAIL AND STEPS.
FOR VALVE GEAR.

LOS ANGELES, CAL. JULY-12-1923
DRAWING E-1380.

REVISIONS.
10-9-1923 A



G.L.