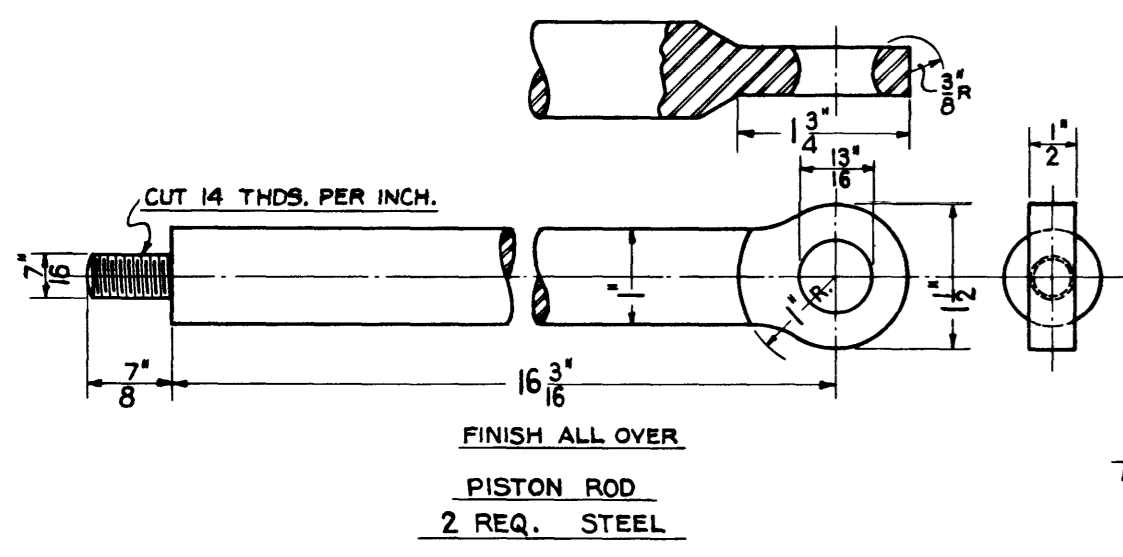
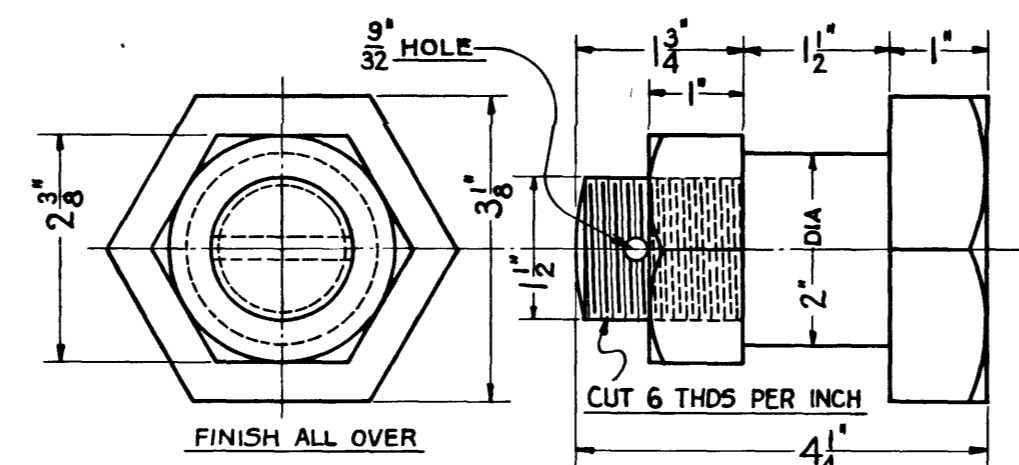


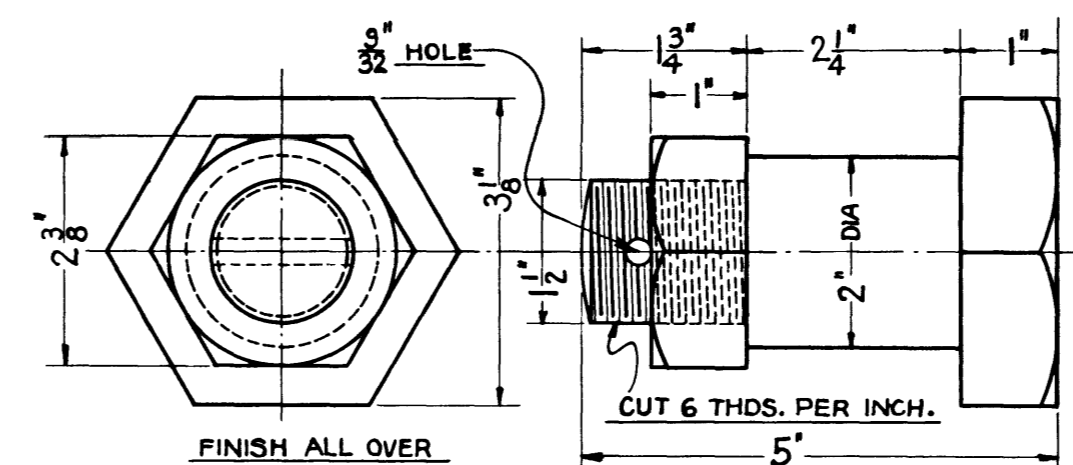
TROLLEY POLE  
2 REQ. HICKORY



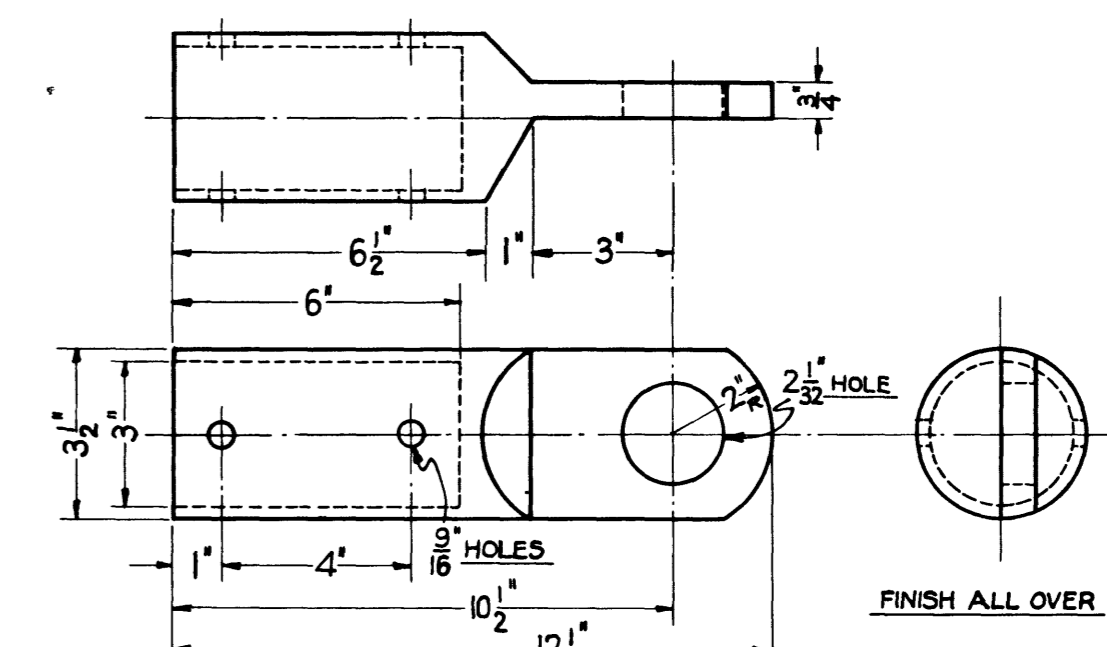
FINISH ALL OVER  
PISTON ROD  
2 REQ. STEEL



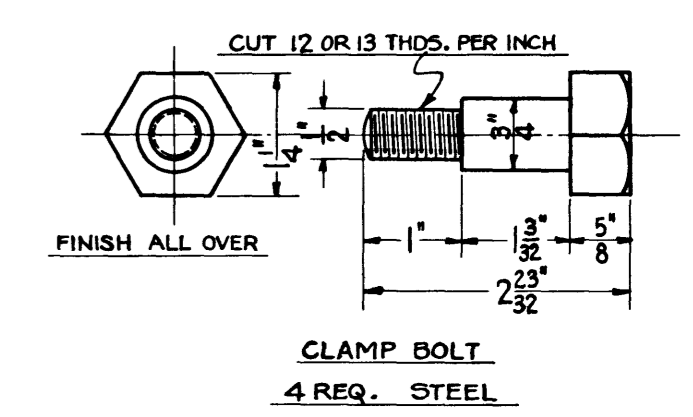
SUPPORT SWIVEL BOLT  
1-REQ. STEEL



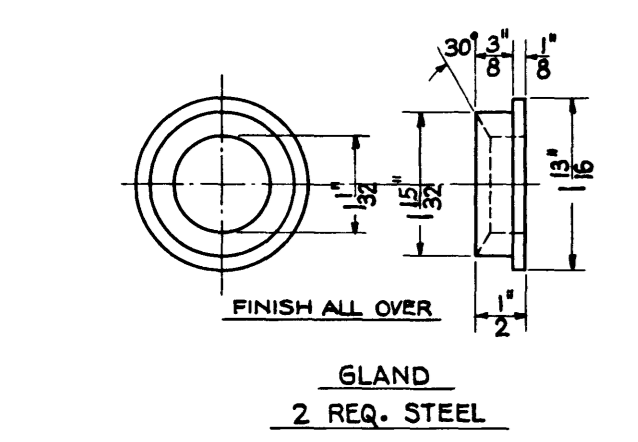
TROLLEY SWIVEL BOLT  
1 REQ. STEEL



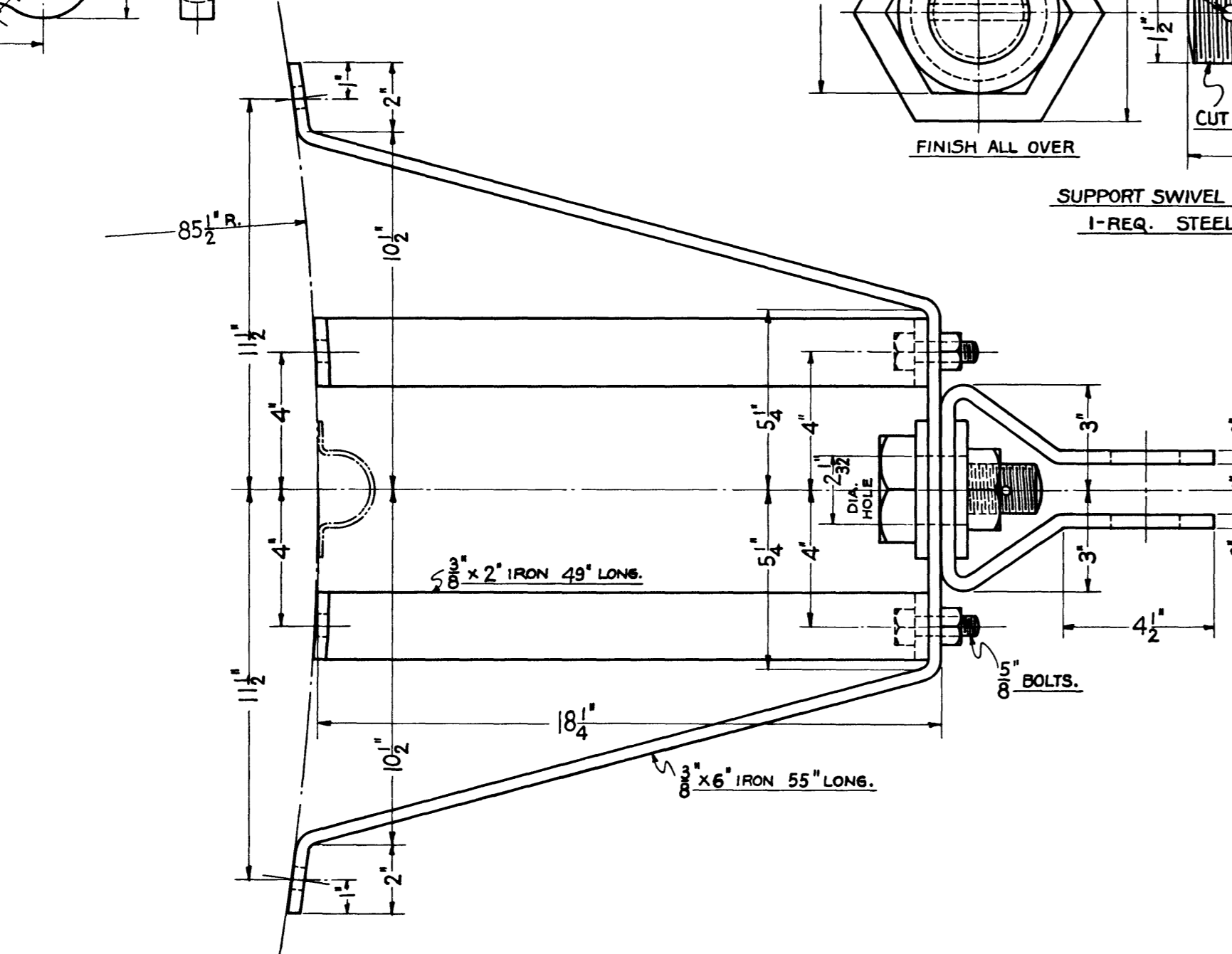
TROLLEY POLE SOCKET  
2 REQ. STEEL



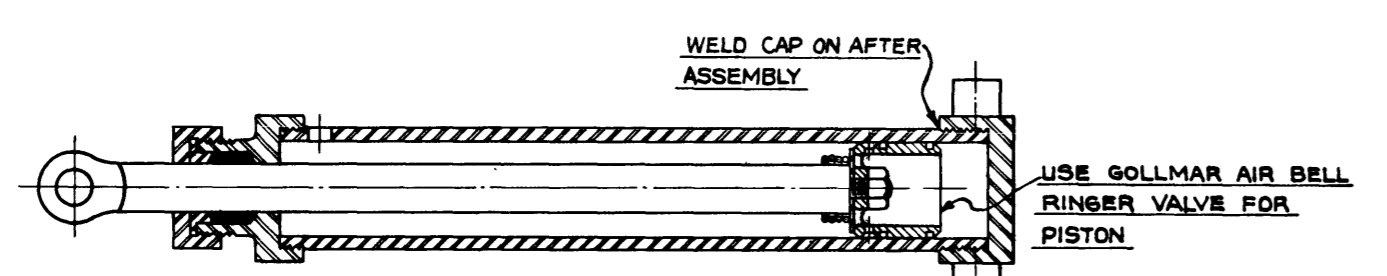
CLAMP BOLT  
4 REQ. STEEL



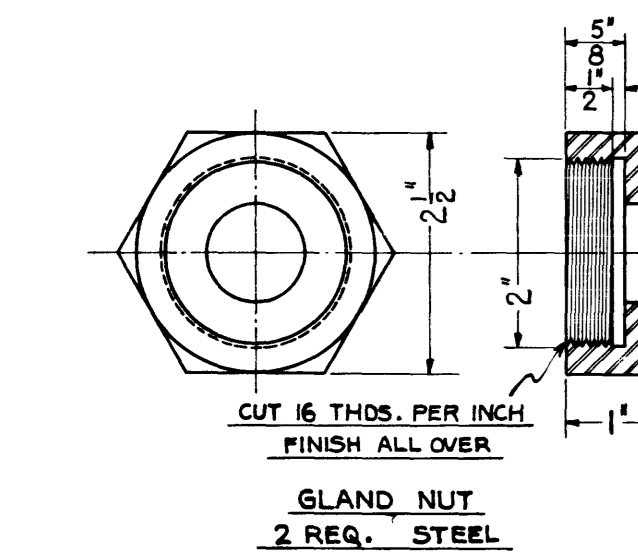
FINISH ALL OVER  
GLAND  
2 REQ. STEEL



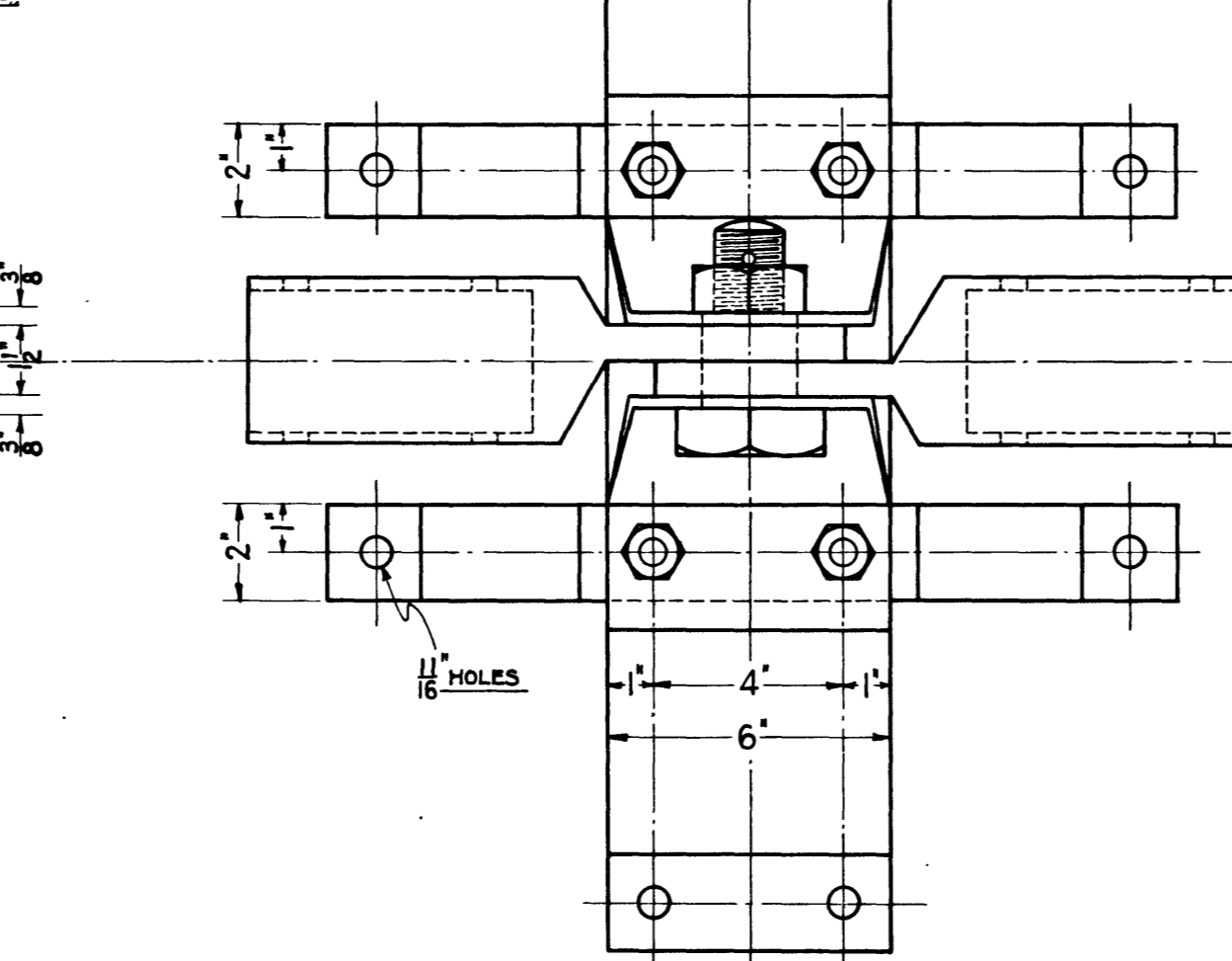
ASSEMBLY OF AIR CYLINDER



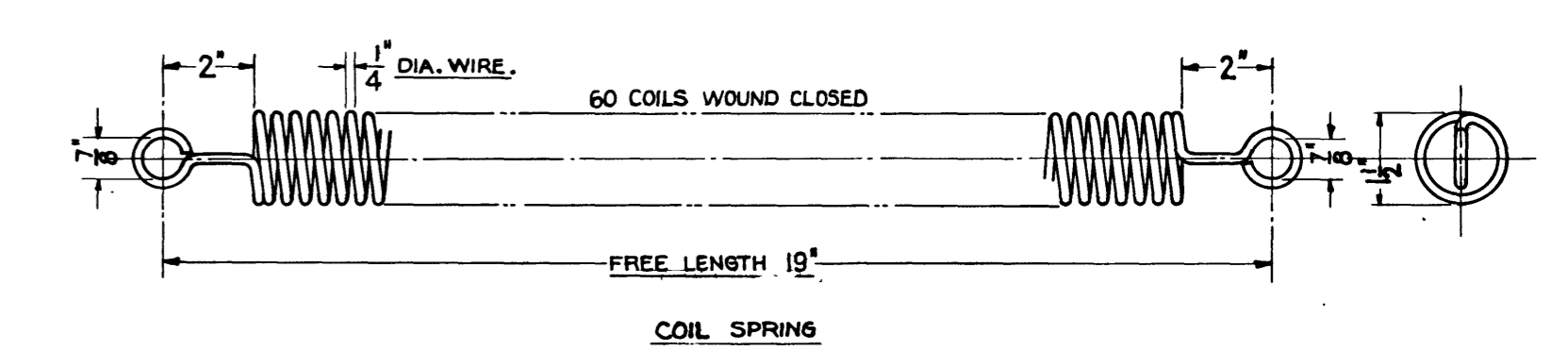
ASSEMBLY OF AIR CYLINDER



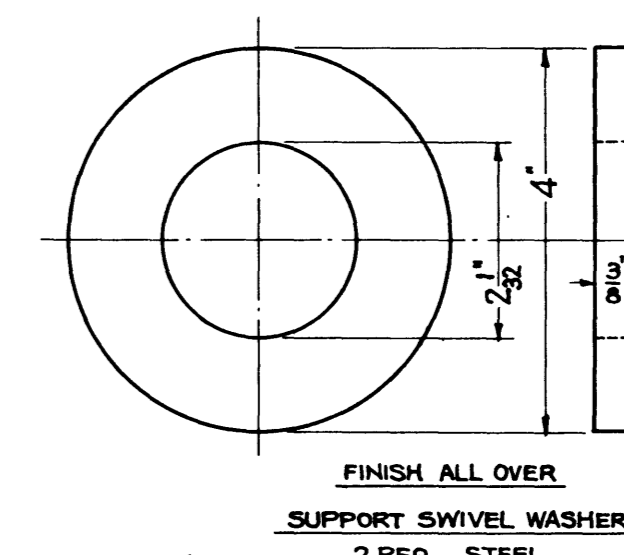
CUT 16 THDS. PER INCH  
FINISH ALL OVER  
GLAND NUT  
2 REQ. STEEL



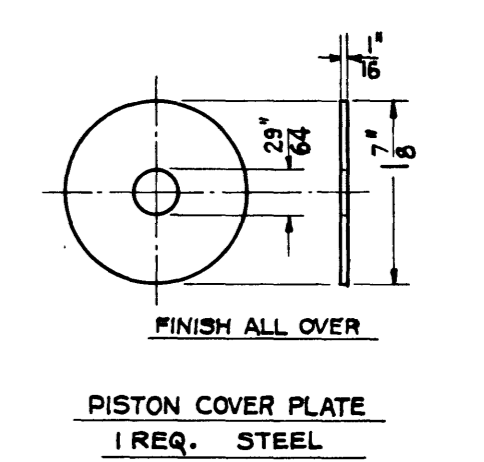
TROLLEY POLE CLAMP  
2 REQ. STEEL



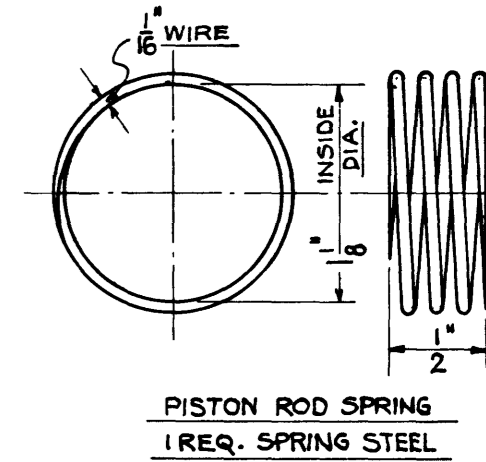
COIL SPRING  
1 REQ. SPRING STEEL



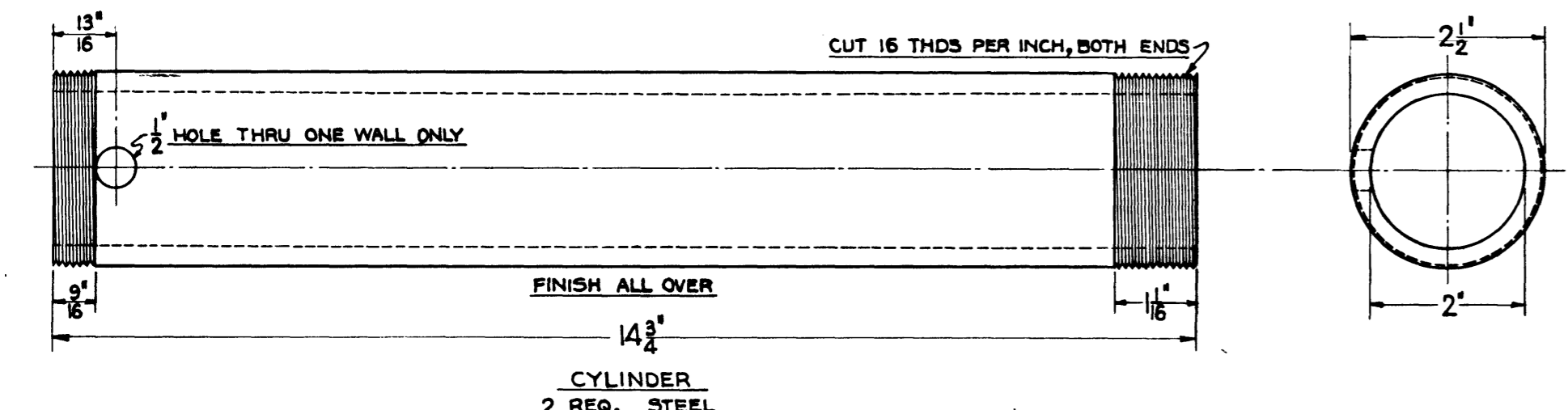
FINISH ALL OVER  
SUPPORT SWIVEL WASHER  
2 REQ. STEEL



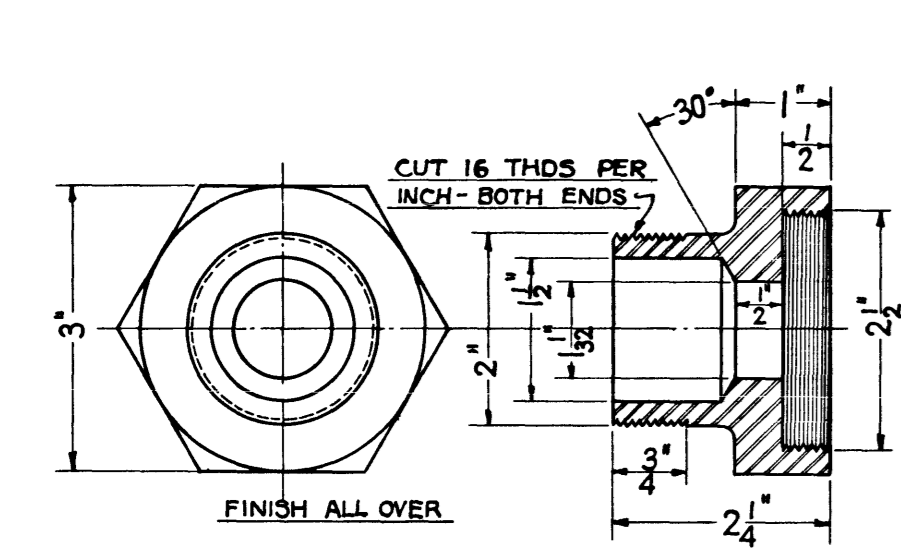
FINISH ALL OVER  
PISTON COVER PLATE  
1 REQ. STEEL



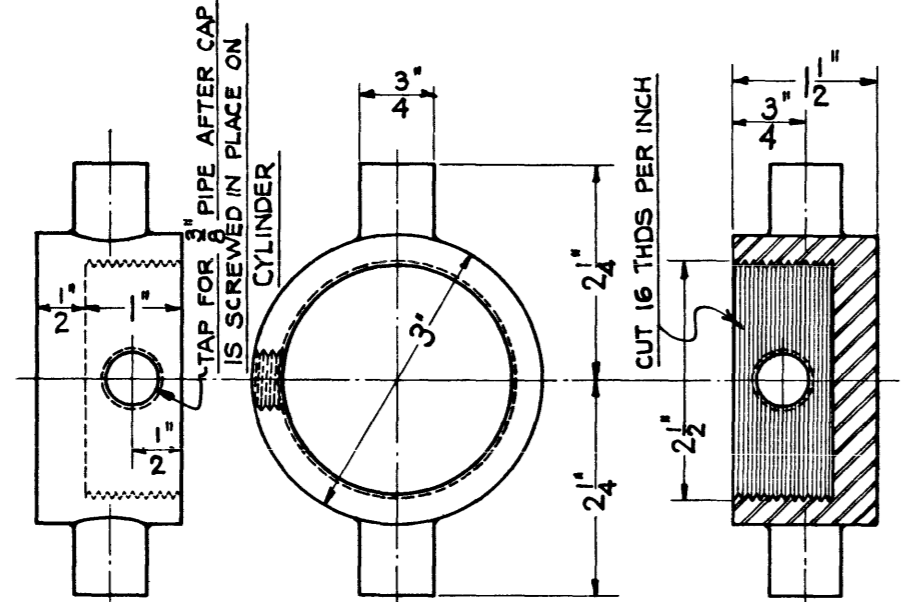
PISTON ROD SPRING  
1 REQ. SPRING STEEL



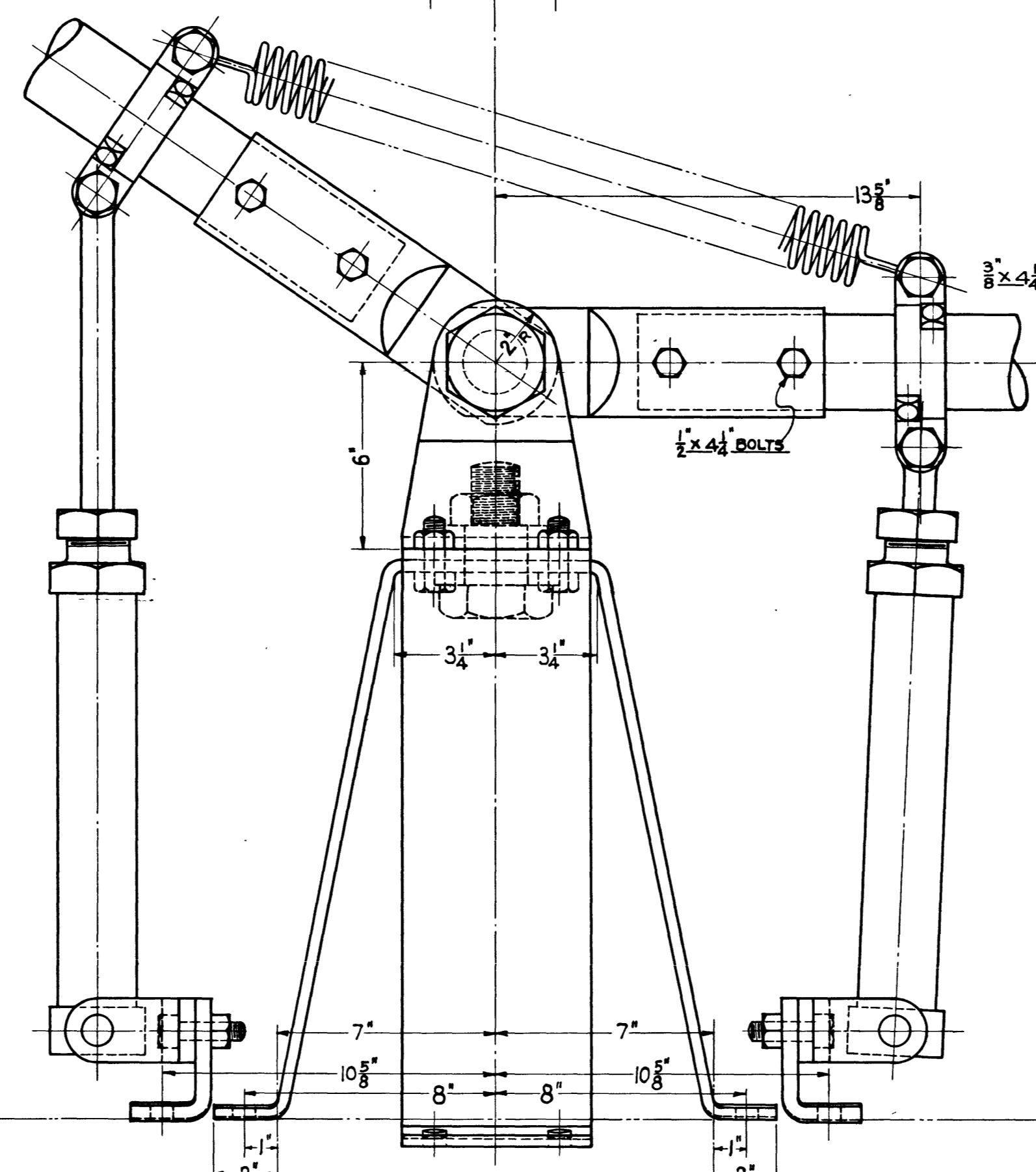
FINISH ALL OVER  
CYLINDER  
2 REQ. STEEL



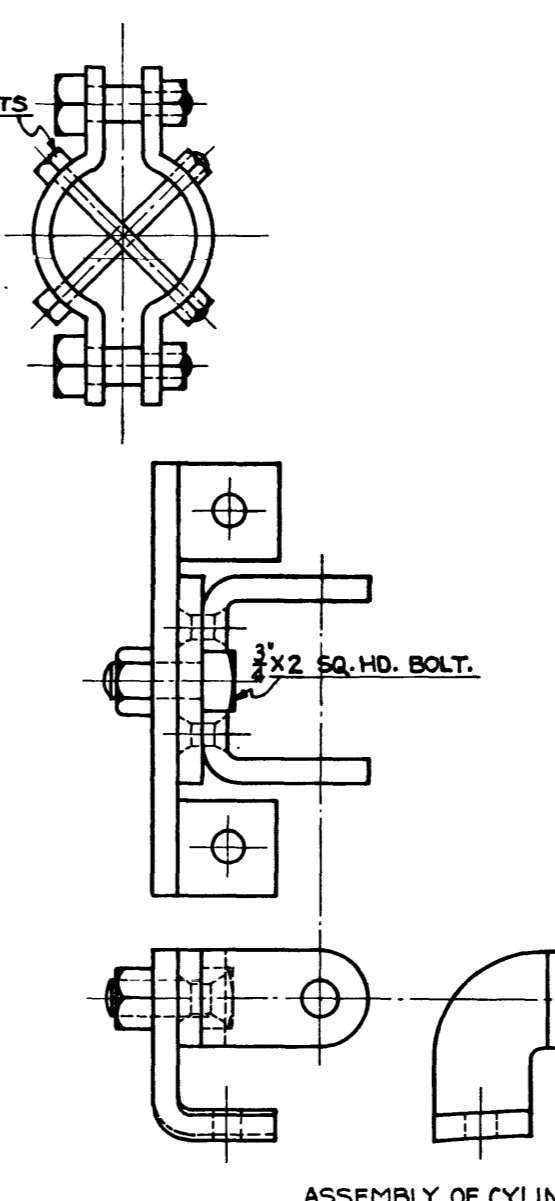
FINISH ALL OVER  
UPPER CYLINDER CAP  
2 REQ. STEEL



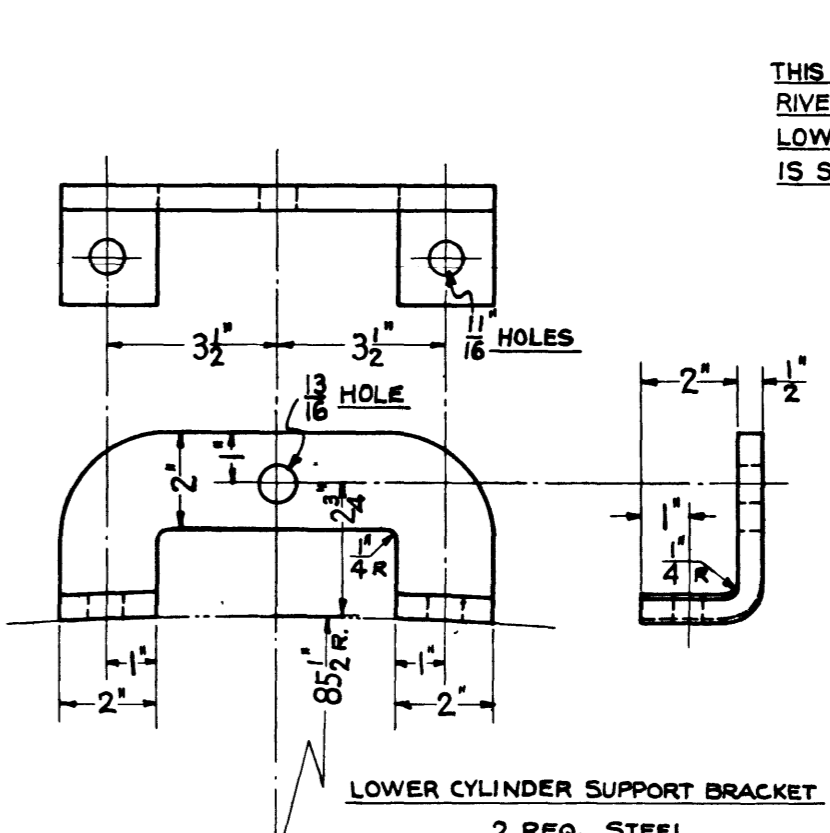
FINISH ALL OVER  
LOWER CYLINDER CAP  
2 REQ. STEEL



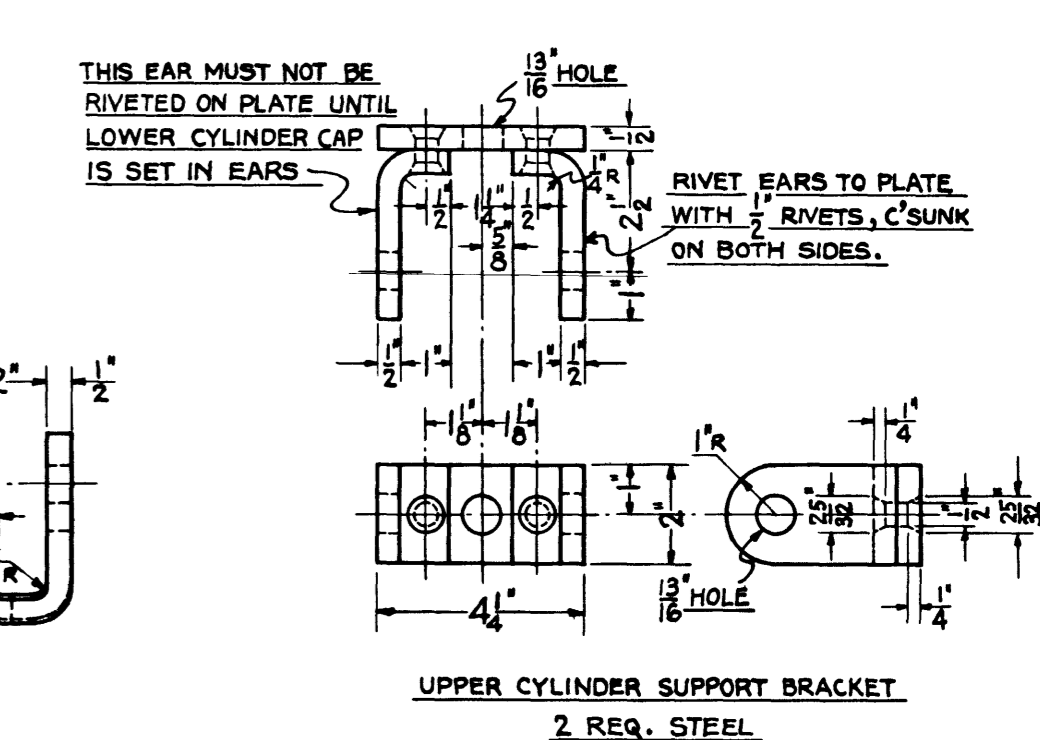
SUPPORT  
1 REQ. COMPLETE AS SHOWN



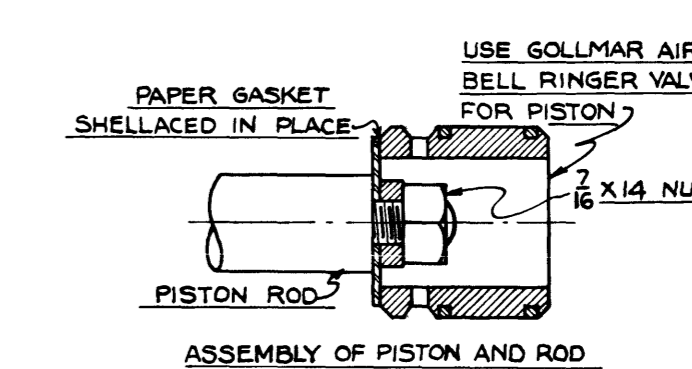
ASSEMBLY OF CYLINDER SUPPORT



LOWER CYLINDER SUPPORT BRACKET  
2 REQ. STEEL



UPPER CYLINDER SUPPORT BRACKET  
2 REQ. STEEL



ASSEMBLY OF PISTON AND ROD