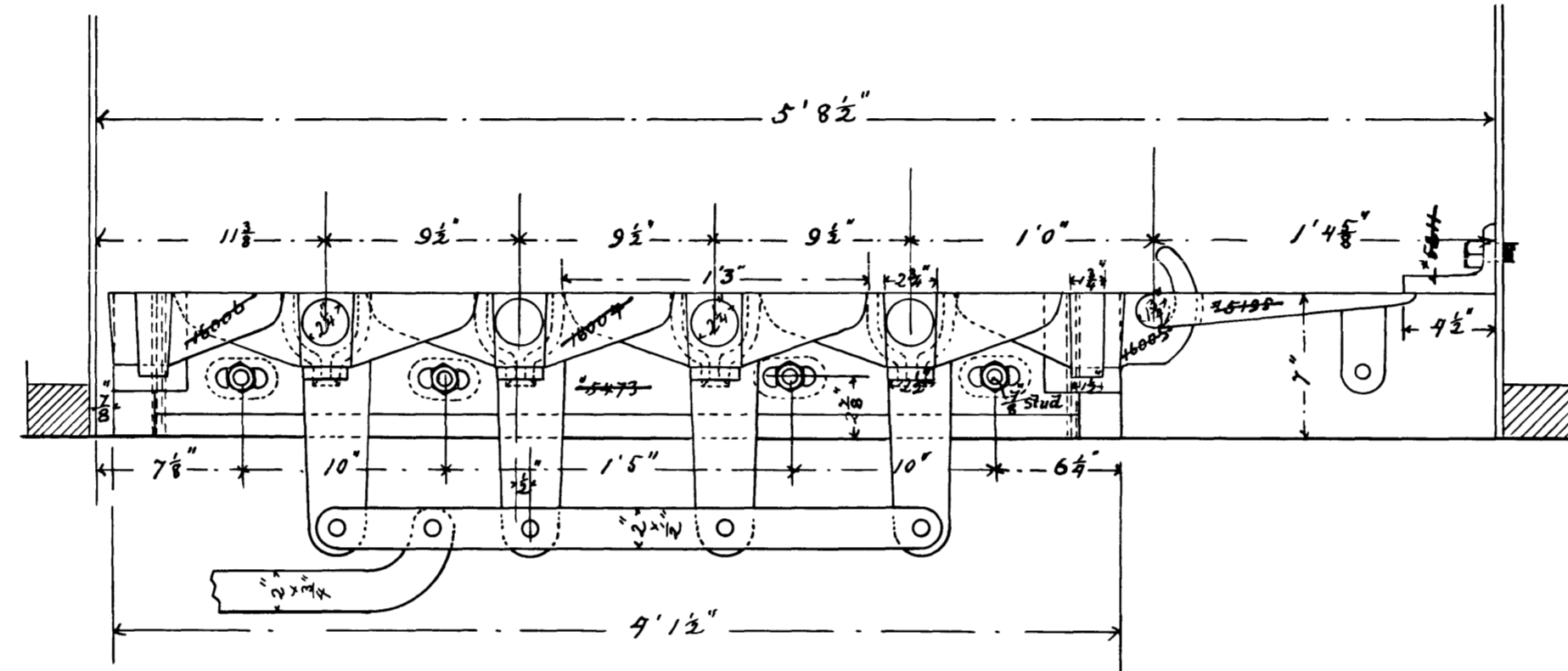


UNION PACIFIC  
OFFICE SUPT MOTIVE POWER AND MACHINERY.

*Shaking grate 'D' as applied to Snow Plow 063.*

Scale 1 1/2" = 1 ft ——— Omaha Neb. ——— Oct. 1897.



*List of Patterns.*

- |                  |               |         |
|------------------|---------------|---------|
| 2. Grate frames  | Part. No 5473 | A-2594. |
| 7. Rocker grates | . . . +6007   | A-2462  |
| 1. Front grate   | . . . +6005   | A-2465  |
| 1. Back grate    | . . . +6006   | A-2464  |
| 1. Dump grate    | . . . +195    | A-2598  |
| 1. Angle iron    | . . . 5211    |         |

