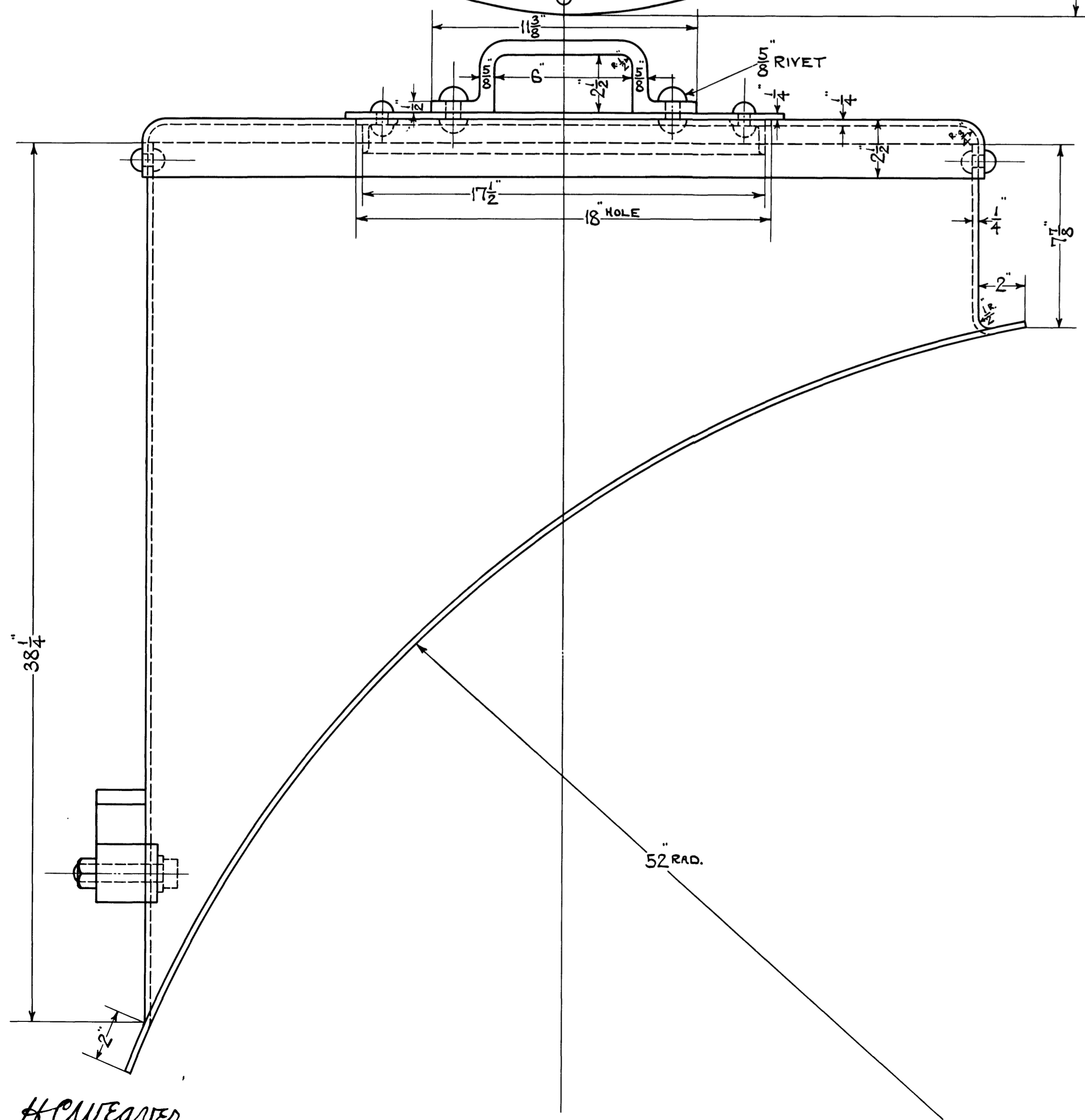
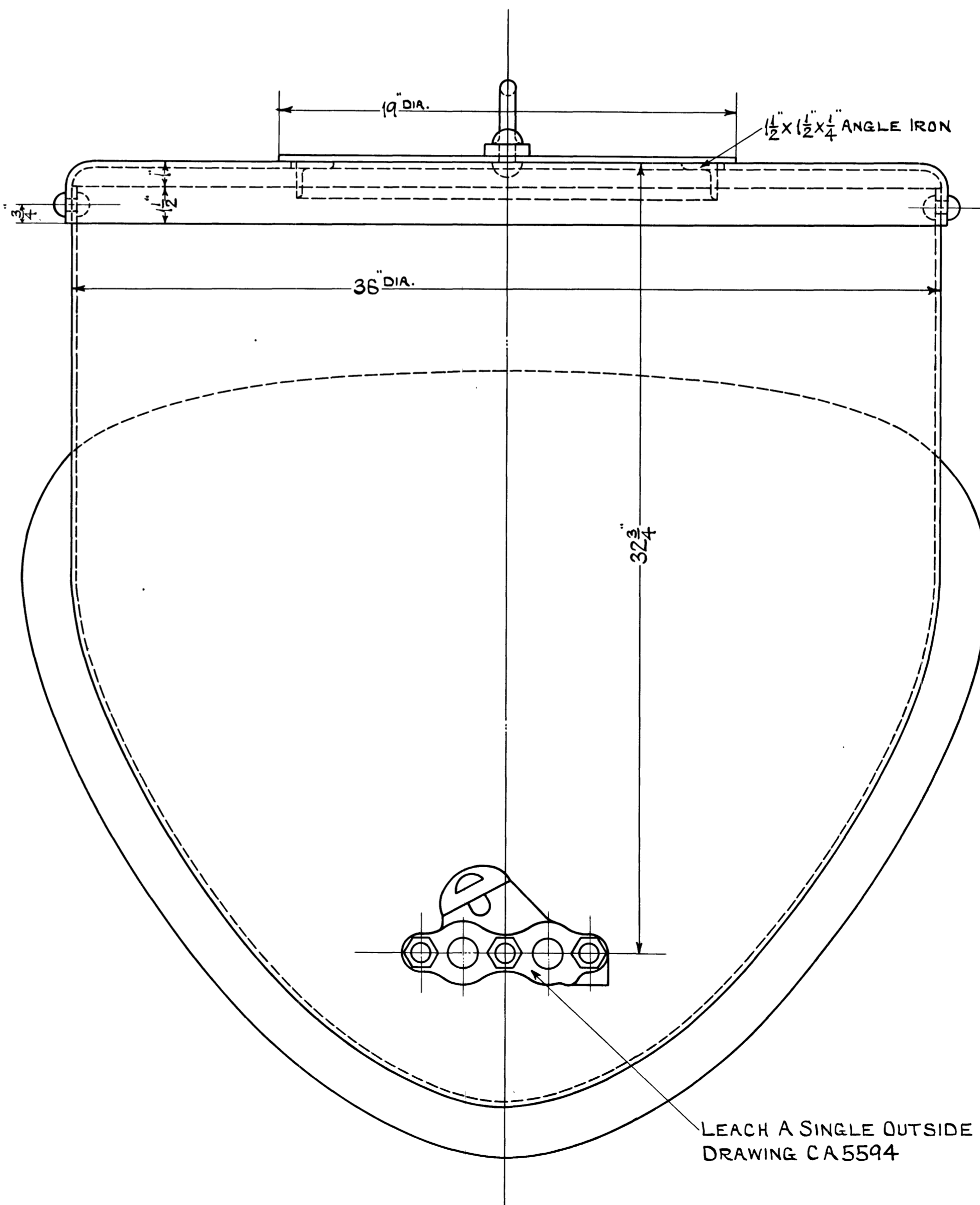


40" DIA.
 1/2" RIVETS ABOUT 6" PITCH
 3/8" RIVETS ABOUT 6" PITCH RIVET TO TANK
 1/2" RIVETS ABOUT 5 3/4" PITCH



52 RAD.



1/2 x 1/2 x 1/4 ANGLE IRON

MATERIAL 1/4" STEEL PLATE 2-REQUIRED

LOS ANGELES & SALT LAKE R.R.
 SAND BOX
 FOR SHOP ENGINE

LEACH A SINGLE OUTSIDE SANDER
 DRAWING CA 5594

CORRECT *H. C. Weaver*
 MECH'L ENGR.
 APPROVED *J. F. Long*
 SUPV. M.F. & M

DRAWING E-1471	
REVISIONS	

