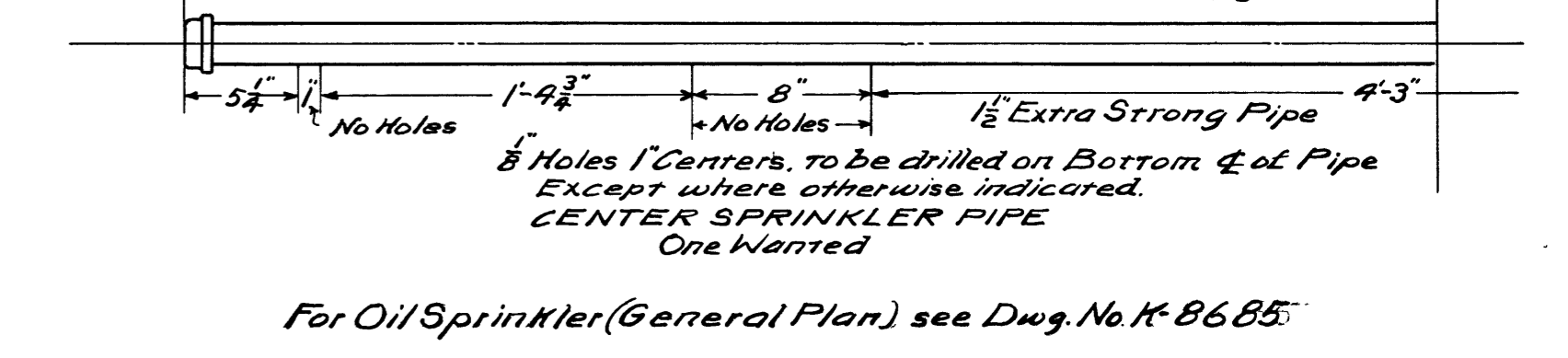
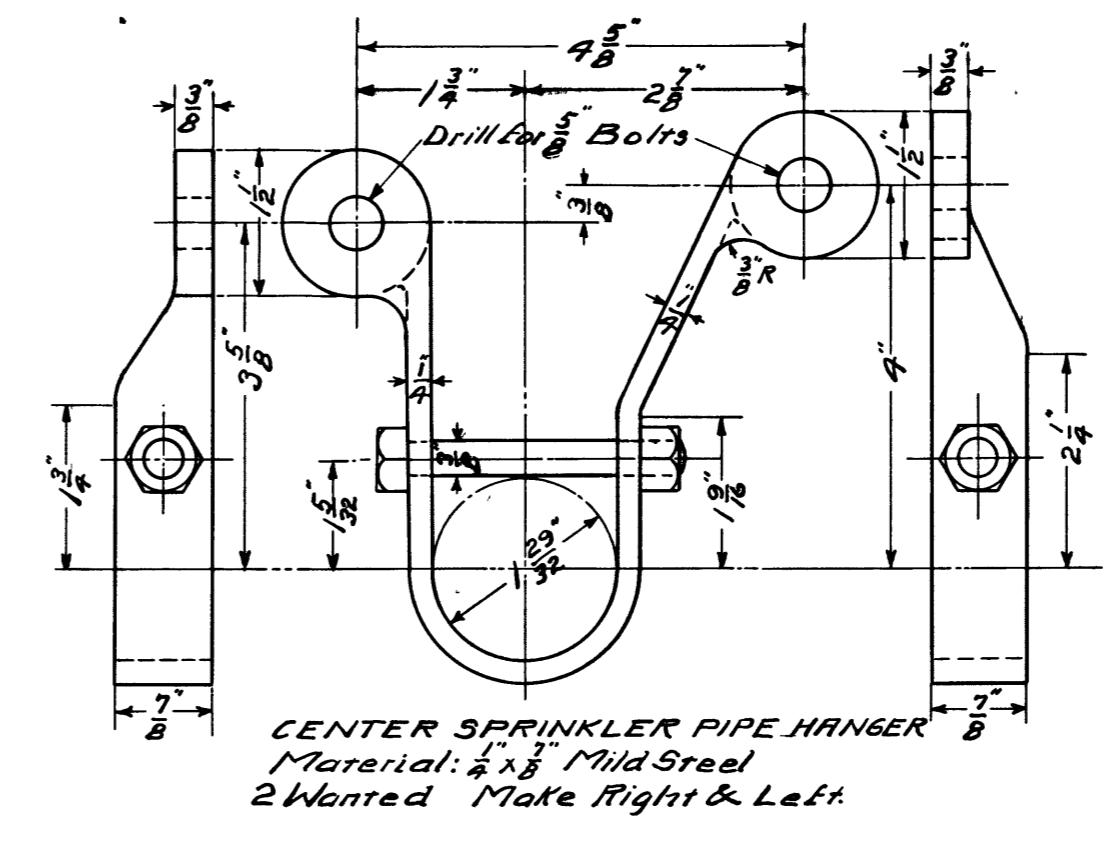
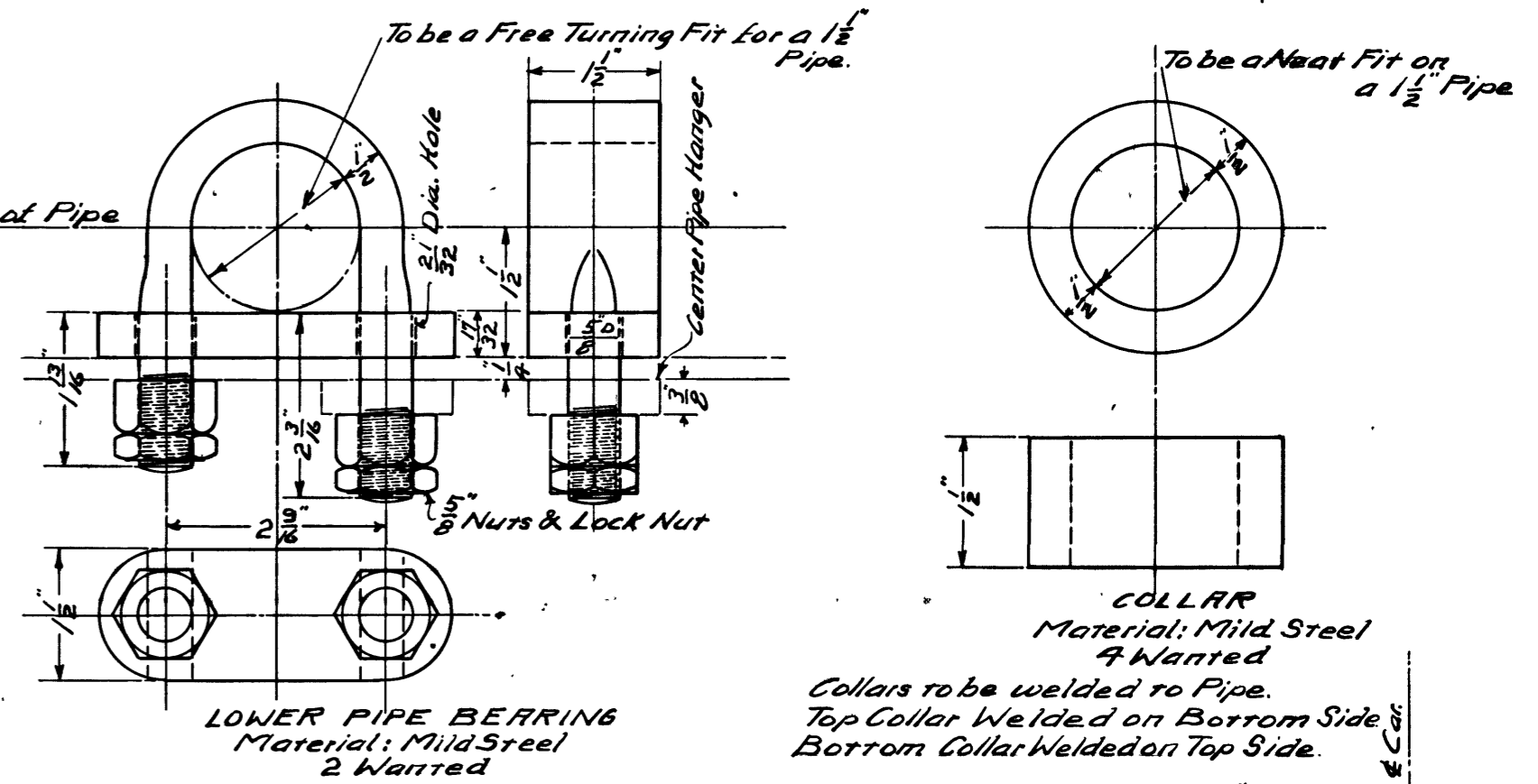
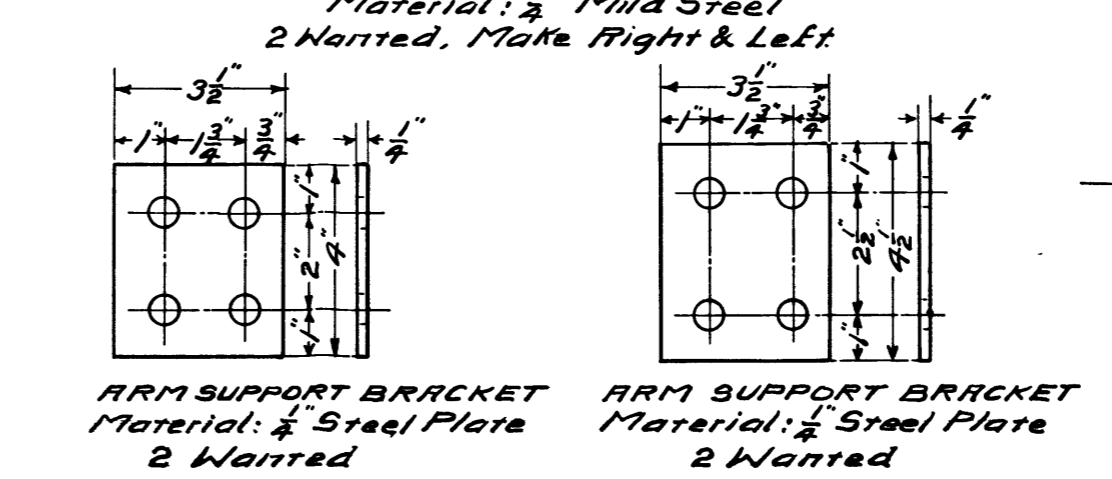
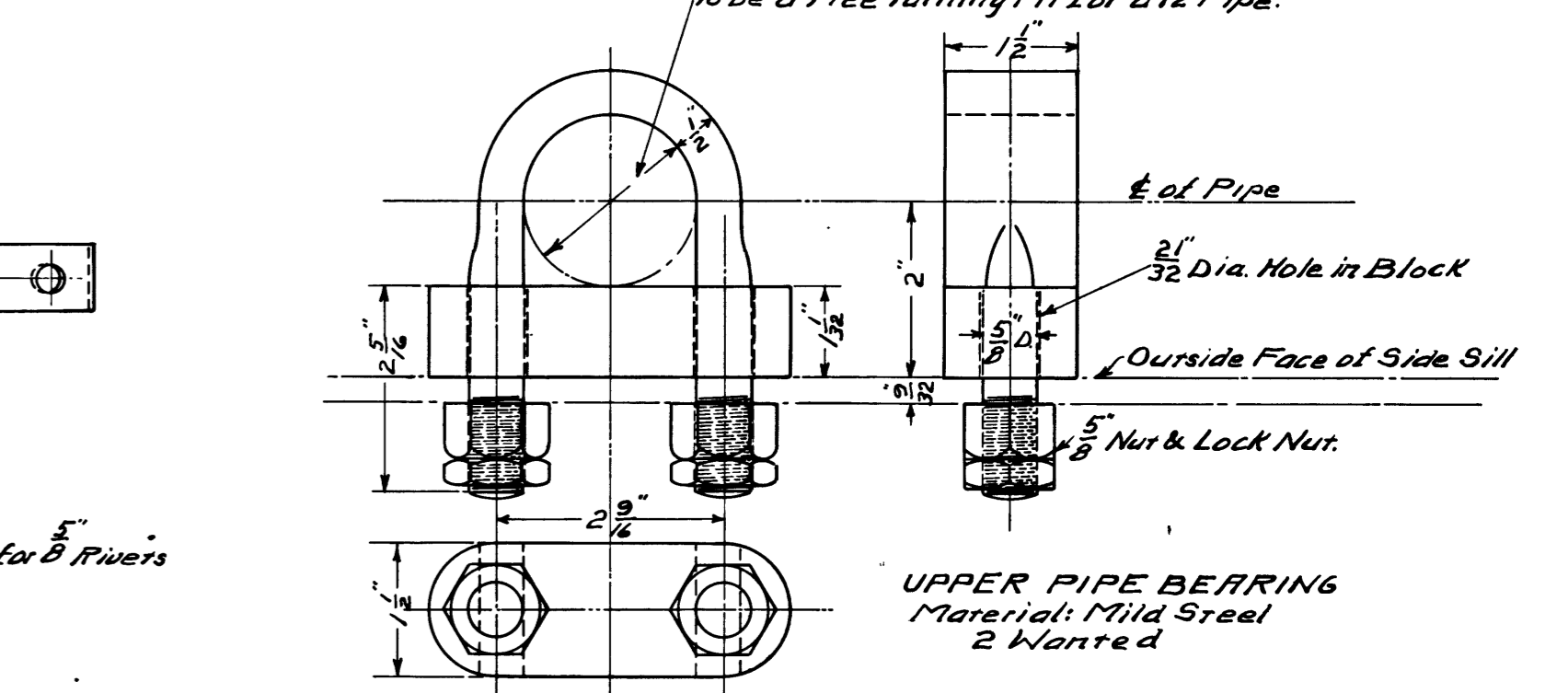
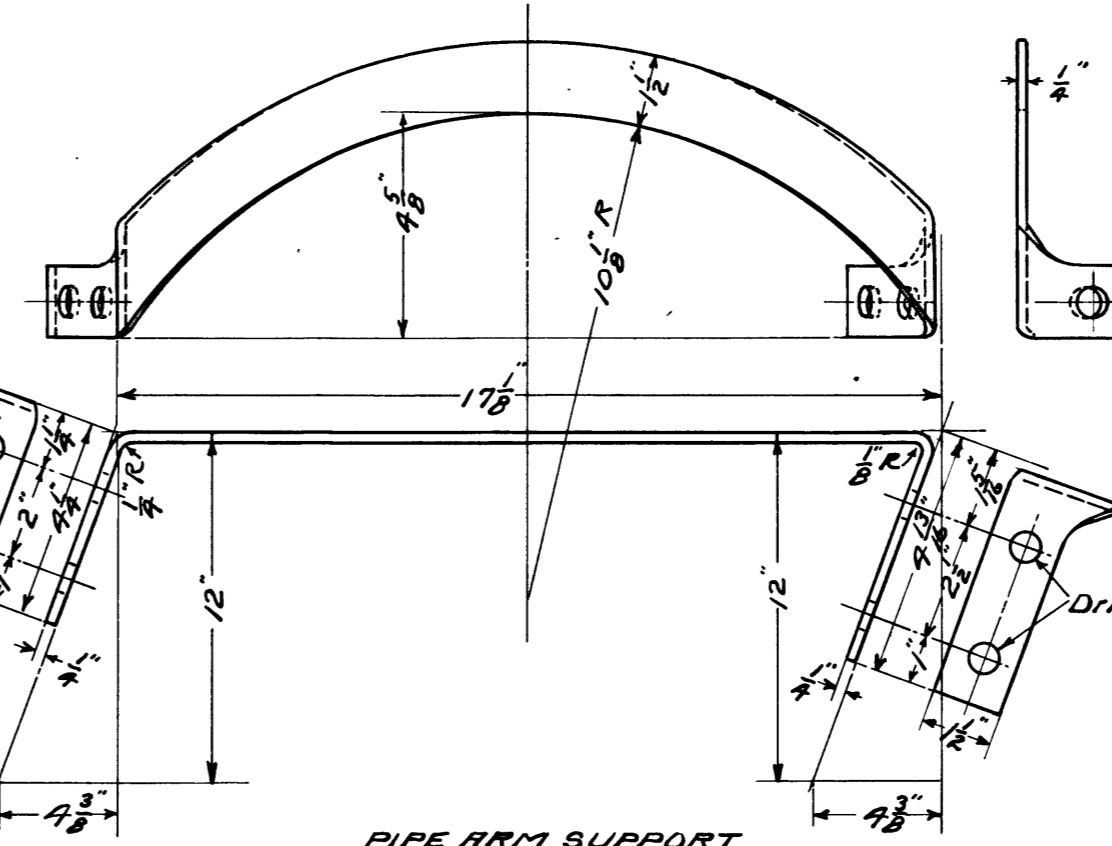
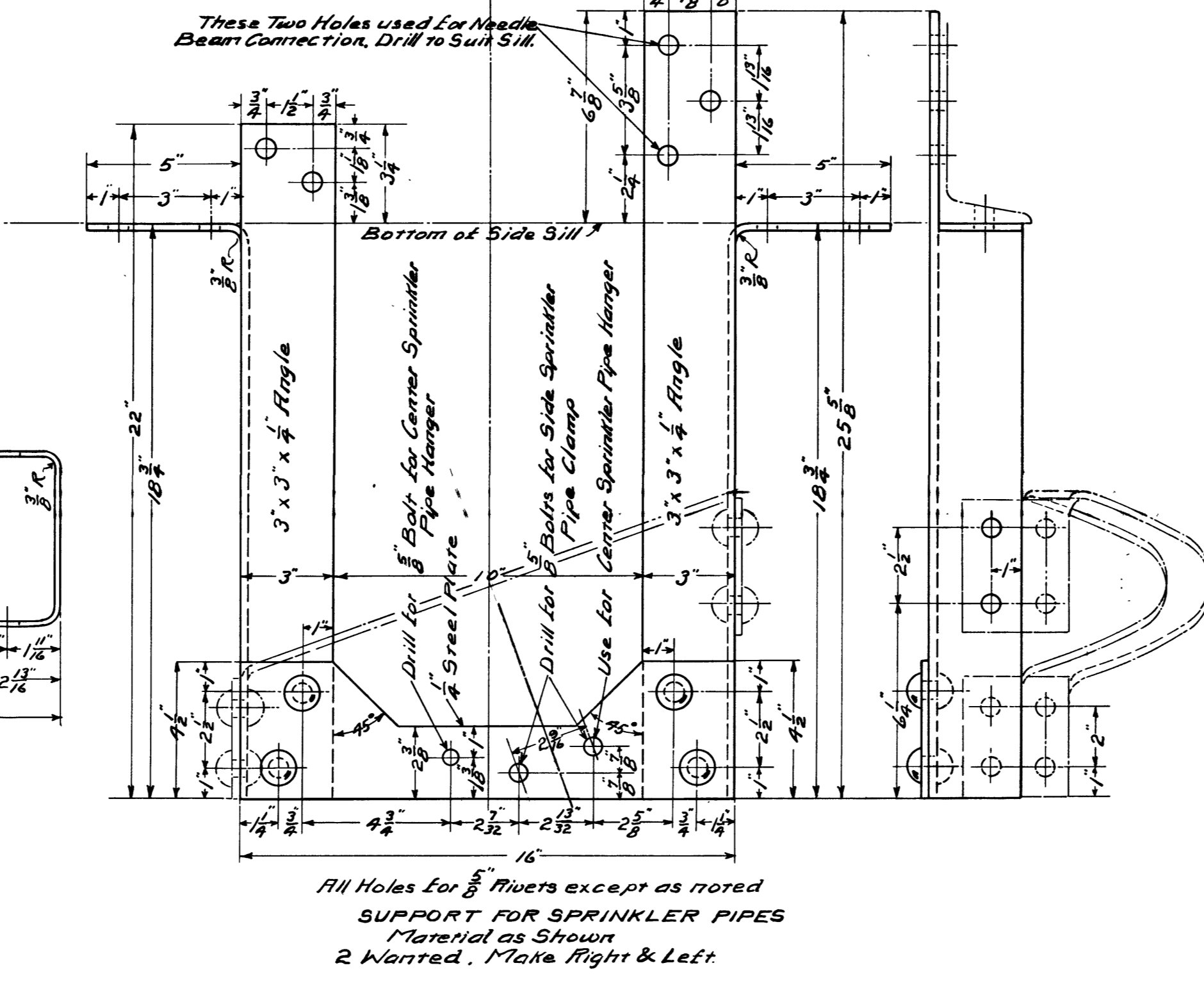
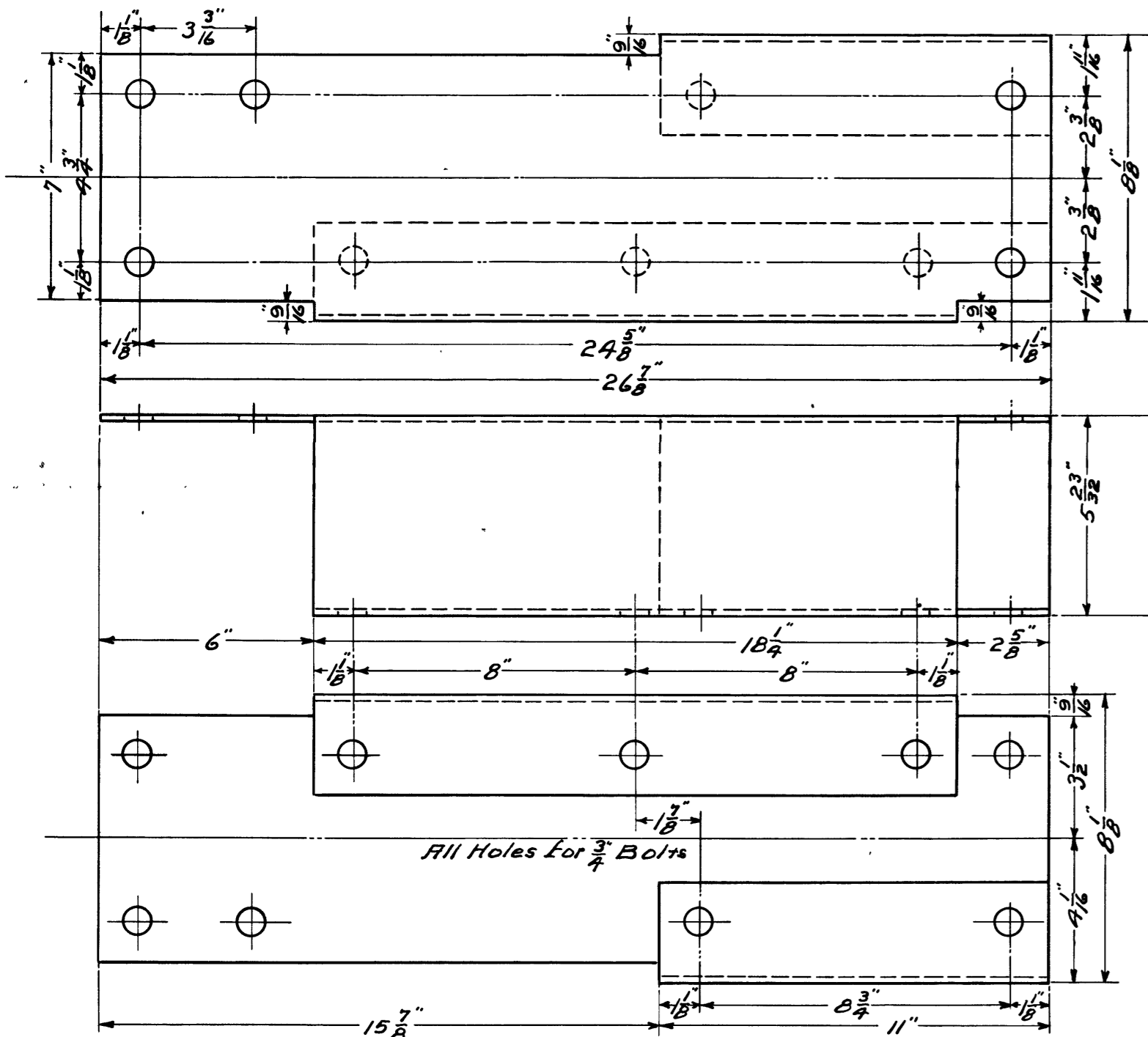
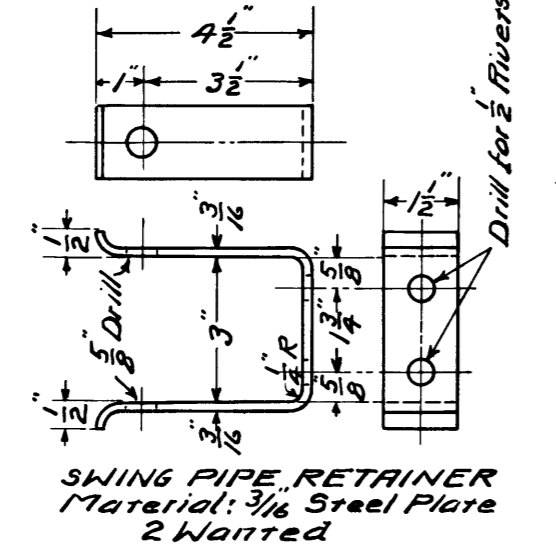


VIEWS OF PIPES AND OPERATING MECHANISM
Swing Pipes shown in Position when not in Use.



SPRINKLER PIPES AND OPERATING MECHANISM DETAILS FOR OIL SPRINKLER