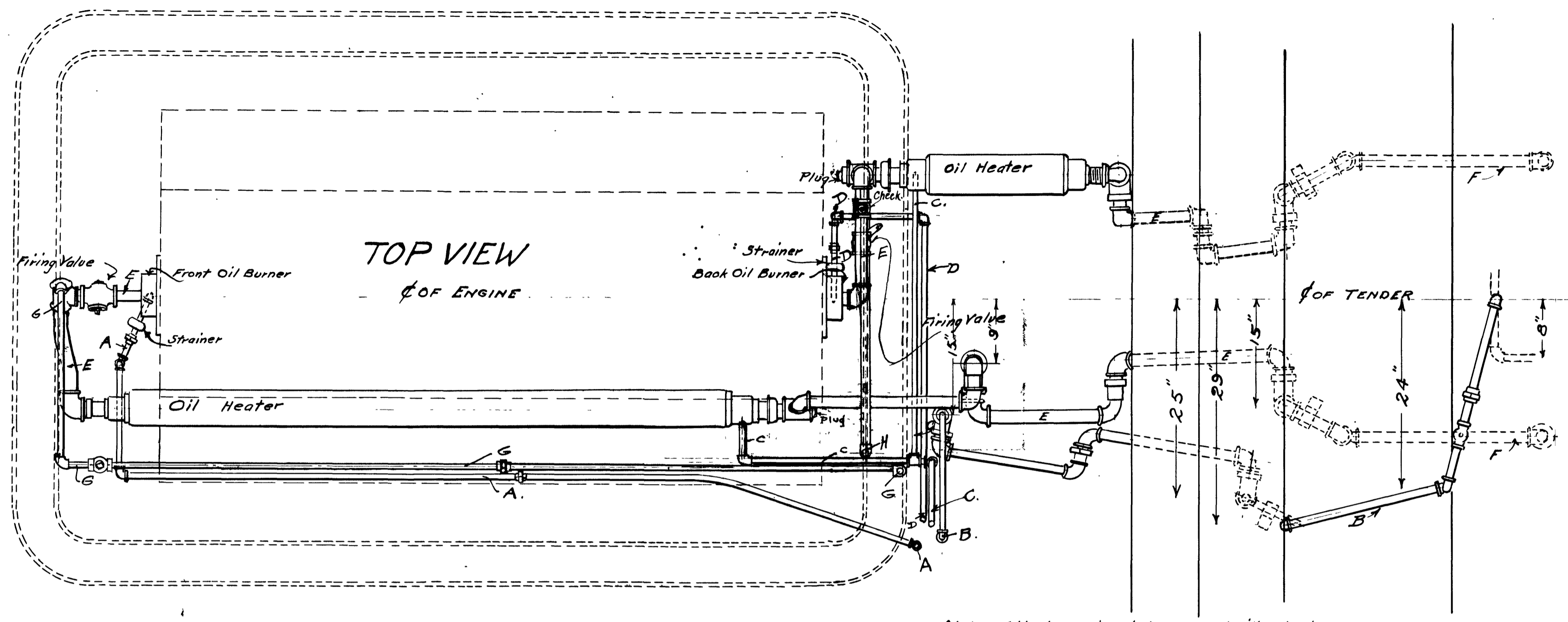


346 class  
all piping to be applied by  
by Builders - "Business" R.R. Co.

# OIL PIPING ARRANGEMENT

DOUBLE BURNER  
S. P. L. A. & S. L. R. R.  
Los Angeles, Cal. Nov. 11, 1908

Approved - *McNairson*  
Supt. Mochy.

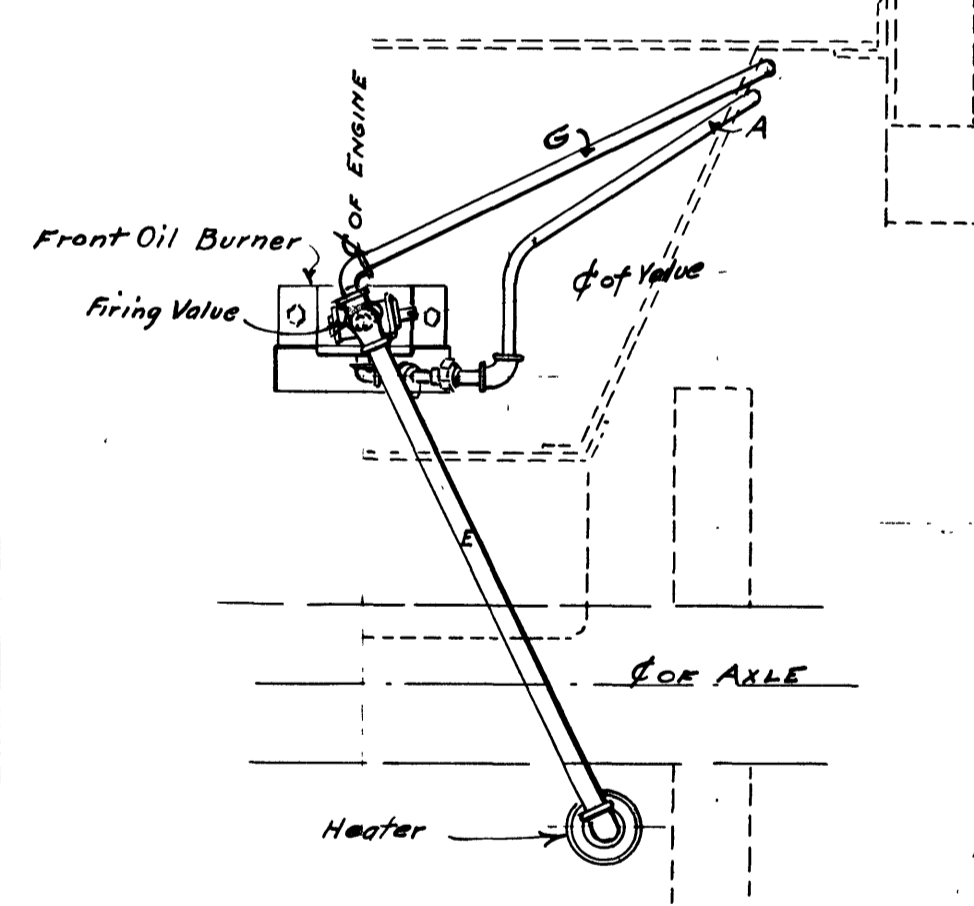


Note - All steam pipes to be wrapped with asbestos.

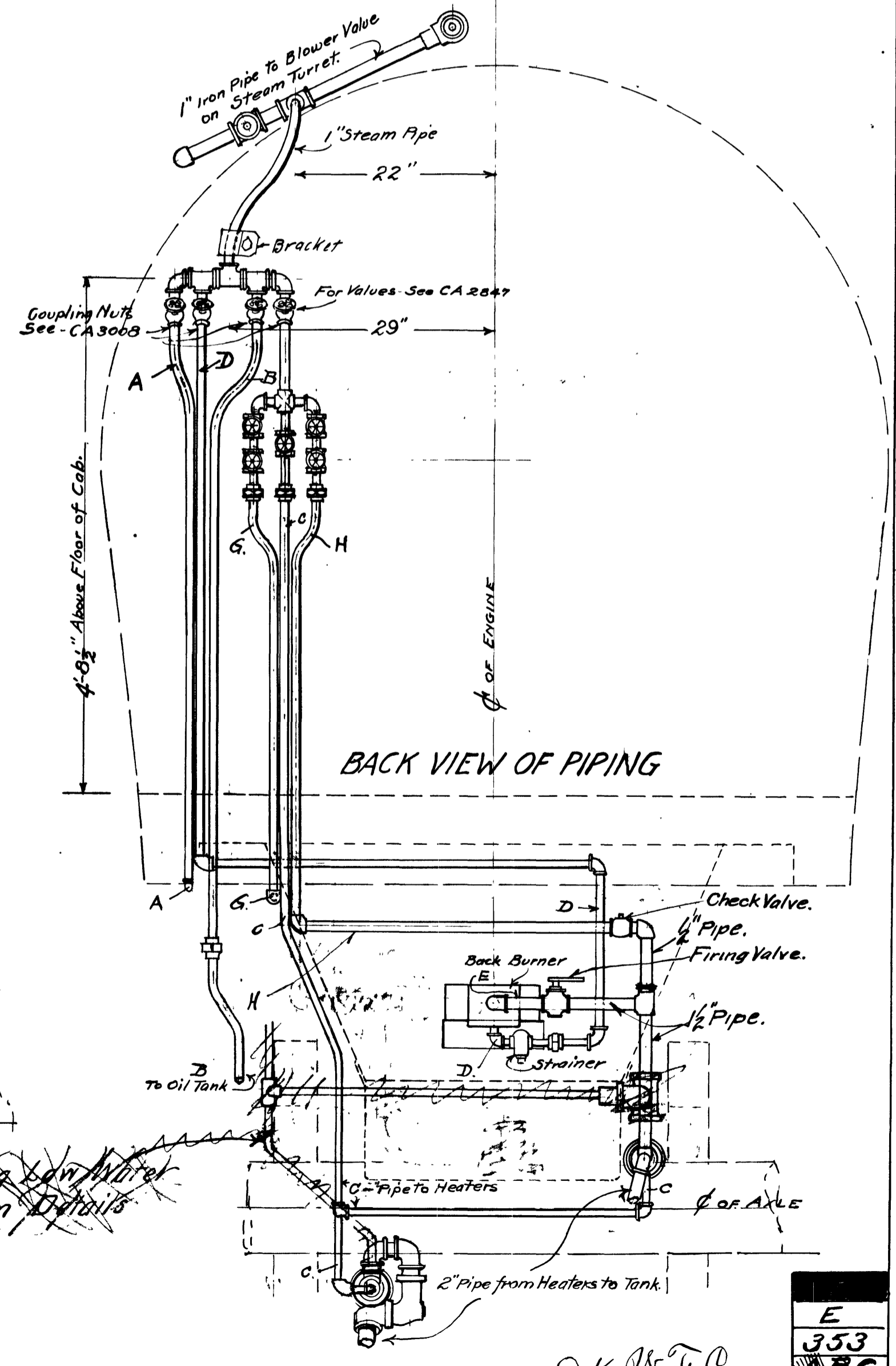
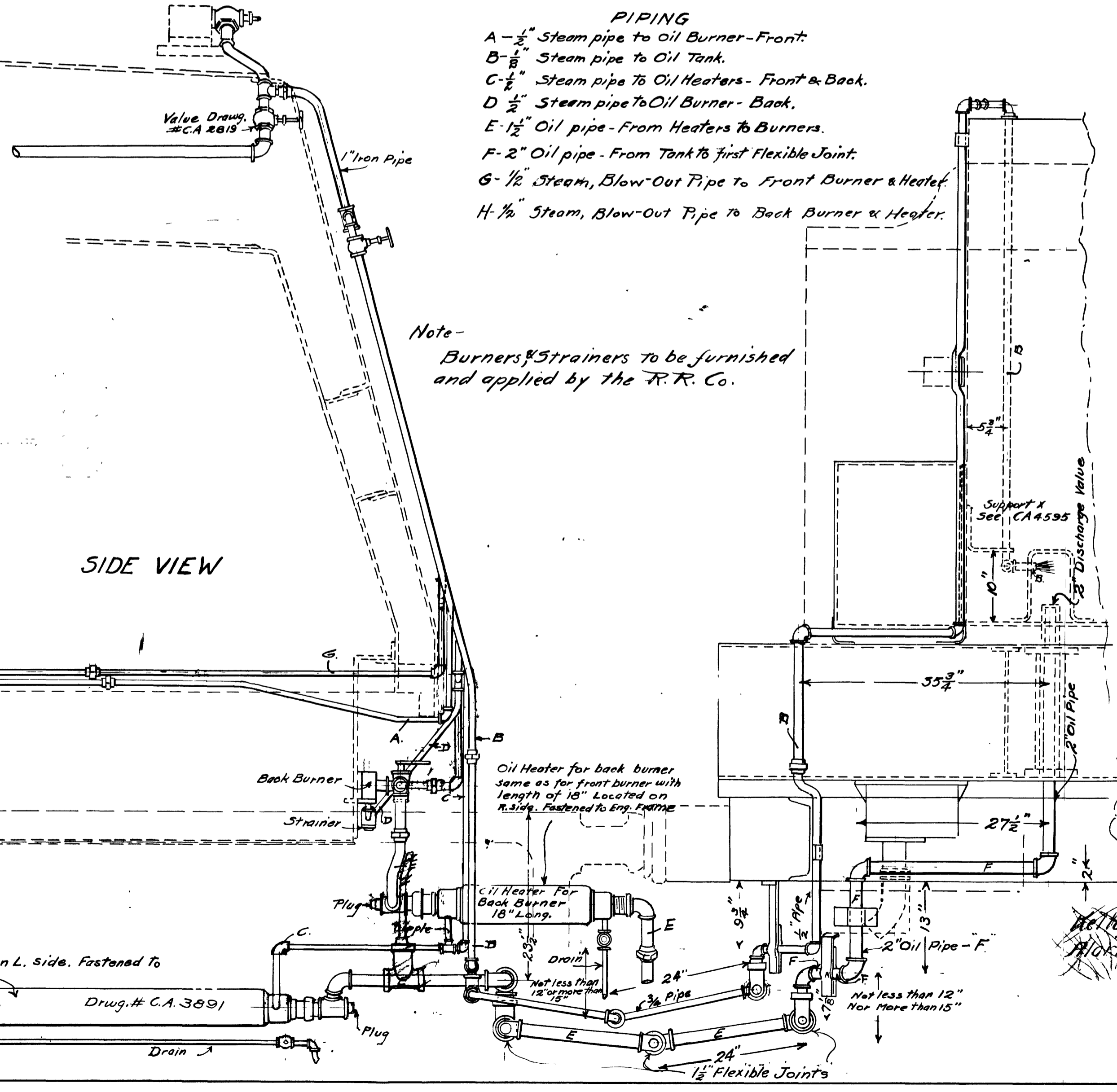
- PIPING**
- A - 1/2" Steam pipe to Oil Burner - Front.
  - B - 1/2" Steam pipe to Oil Tank.
  - C - 1/2" Steam pipe to Oil Heaters - Front & Back.
  - D - 1/2" Steam pipe to Oil Burner - Back.
  - E - 1 1/2" Oil pipe - From Heaters to Burners.
  - F - 2" Oil pipe - From Tank to first Flexible Joint.
  - G - 1/2" Steam, Blow-Out Pipe to Front Burner & Heater.
  - H - 1/2" Steam, Blow-Out Pipe to Back Burner & Heater.

Note - Burners & Strainers to be furnished and applied by the R.R. Co.

FRONT VIEW OF PIPING



SIDE VIEW



REVISED - Dec. 7-1911 - D. Revised 4-6-12.  
REVISED - May 11-1911 - A

E  
353  
C

O.K. W.F.C.