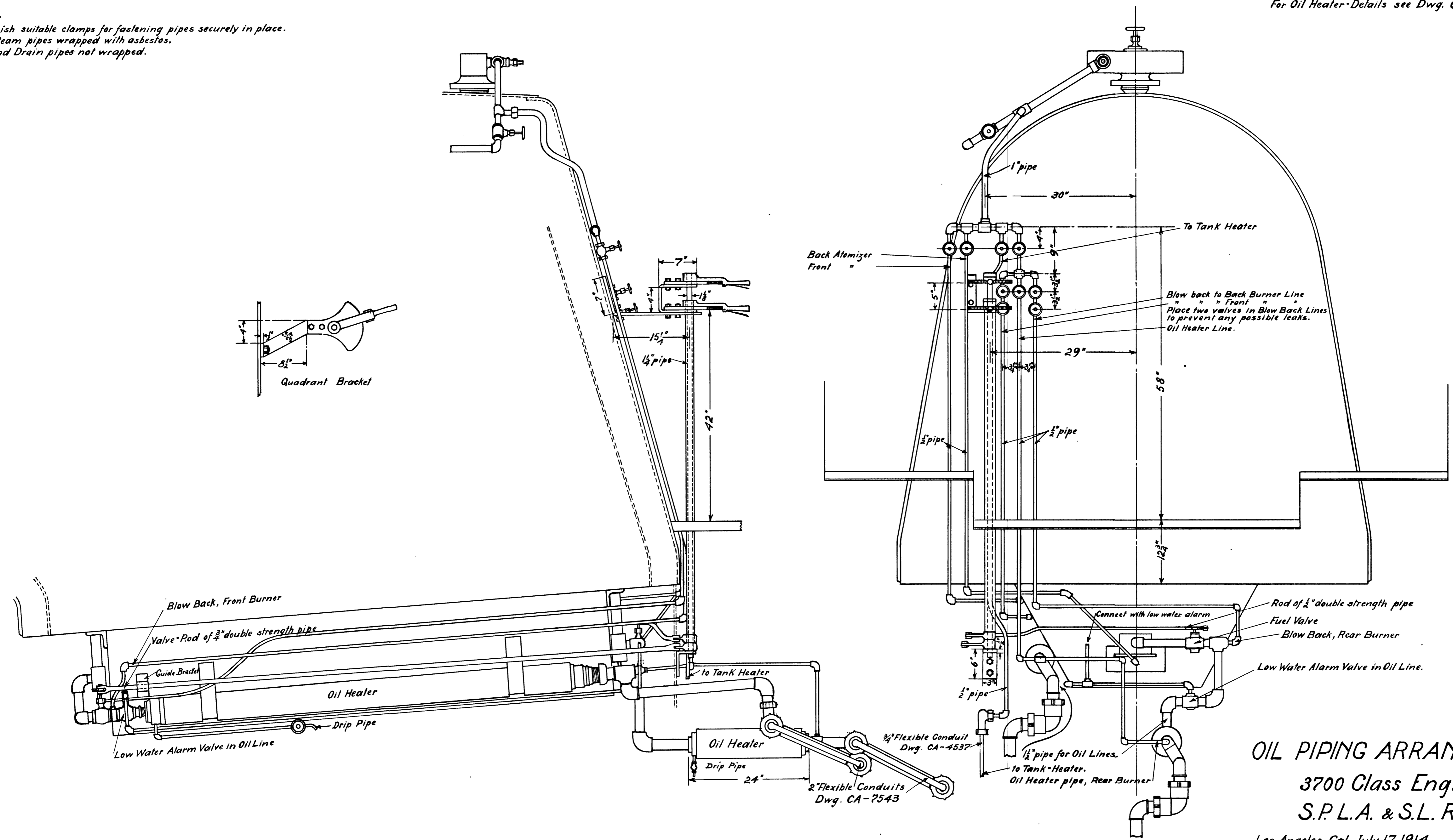


For Fire-Pan and Burner-Arrangement see Dwg. E-1021.
 " Brickwork-Details see Dwg. B-1022.
 For Oil Heater-Details see Dwg. CA-6978.

Note:
 Furnish suitable clamps for fastening pipes securely in place.
 All steam pipes wrapped with asbestos.
 Oil and Drain pipes not wrapped.



OIL PIPING ARRANGEMENT
 3700 Class Engines
 S.P.L.A. & S.L.R.R.

Los Angeles, Cal. July 17, 1914.

APPROVED: *F. E. Harrison*
 SUP'T. MACHINERY.



E
 1023