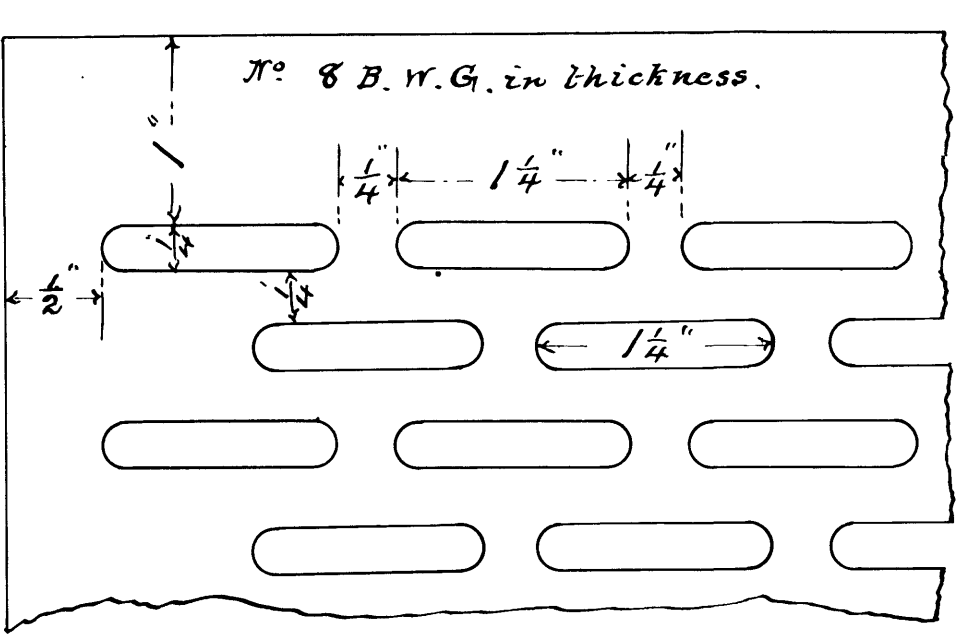
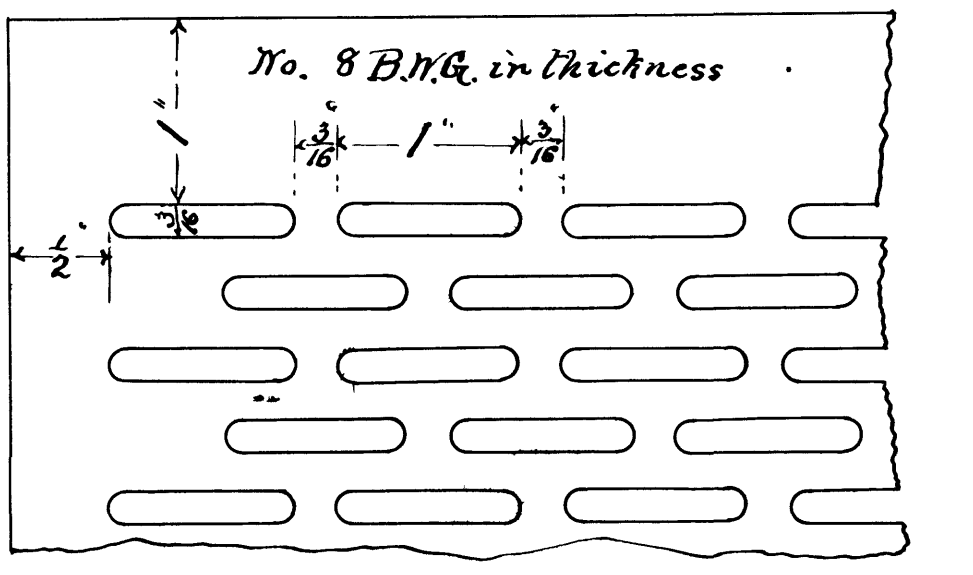


**List of Patterns**

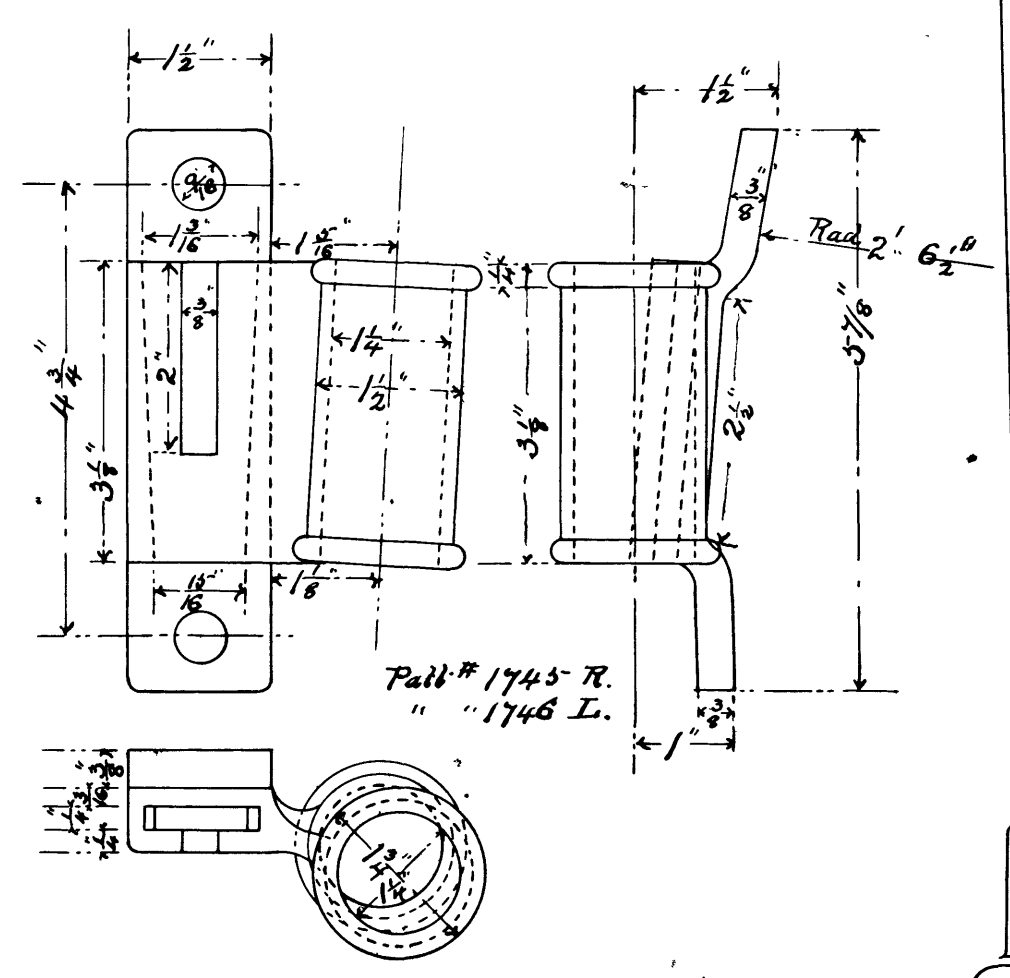
Part Name	No.
Blizzard lamp bracket, Right	1745
Blizzard lamp bracket, Left	1746
Pitcoat Rod	10202
Handle	5038
Nut, Brass	5041
Exhaust Valve Stand	4149
Tip	4258
Front End Door	3009
Door clamp	2573
Number Plate	1823
Cinder Hopper	2658
Cover	4805
Head Light Board	1460
Column	3733
Blower pipe lip, Brass	615
Hand rail bracket	583
Side hole flange	1807
Cover	1808



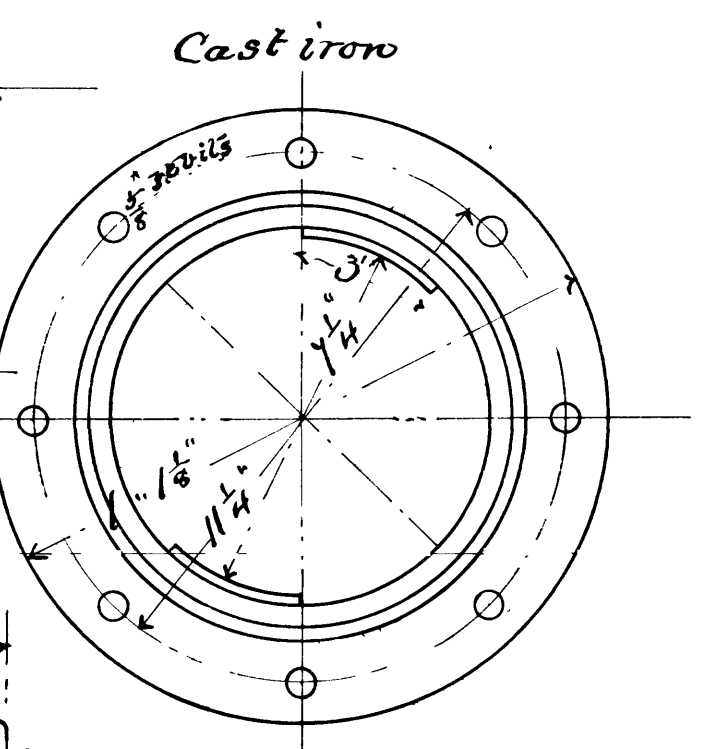
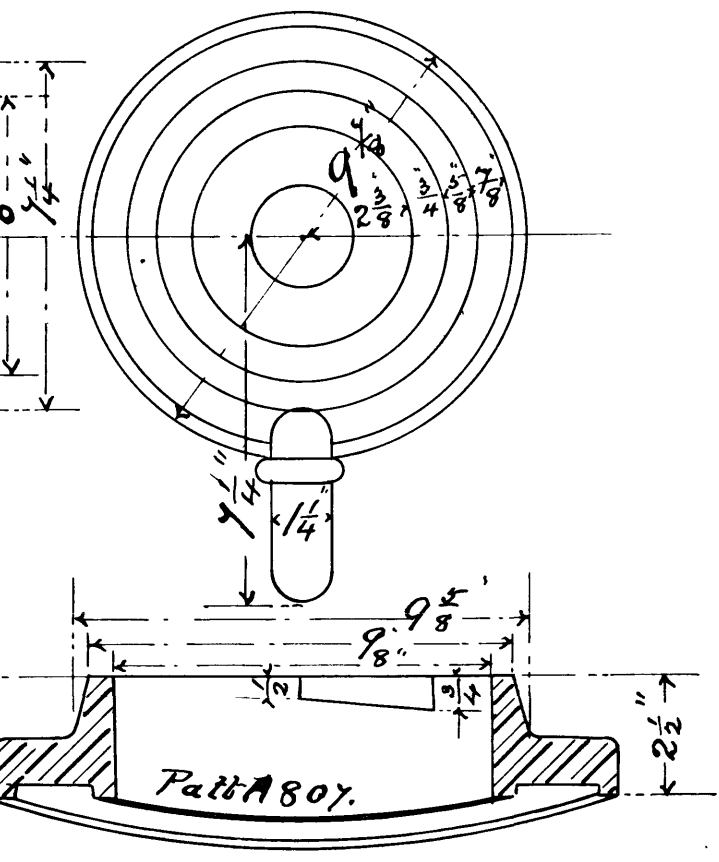
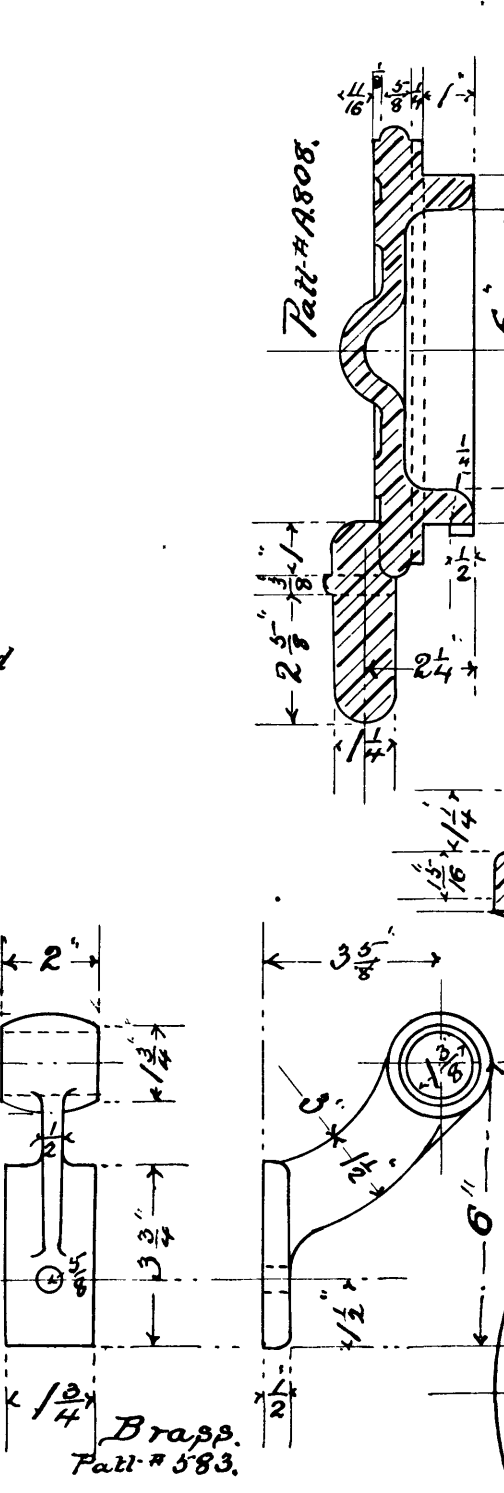
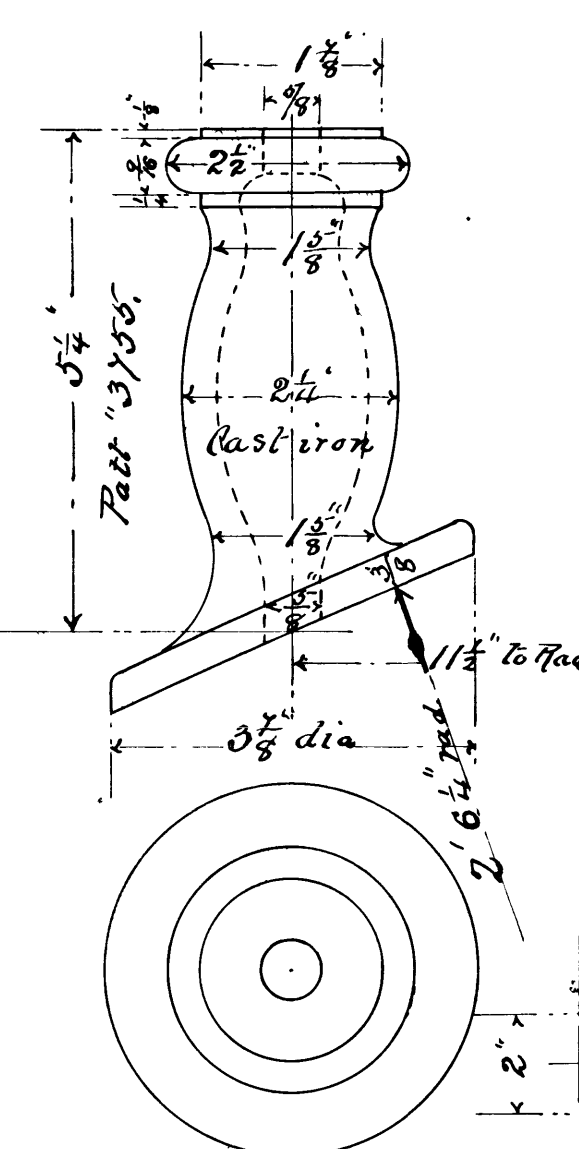
Details of perforated plate D Full size Plate to be put in so that the 1/4" way of perforations will be cross ways of boiler plates secured to angle irons with 1/2" bolts 1/4" from Cen to Cen.



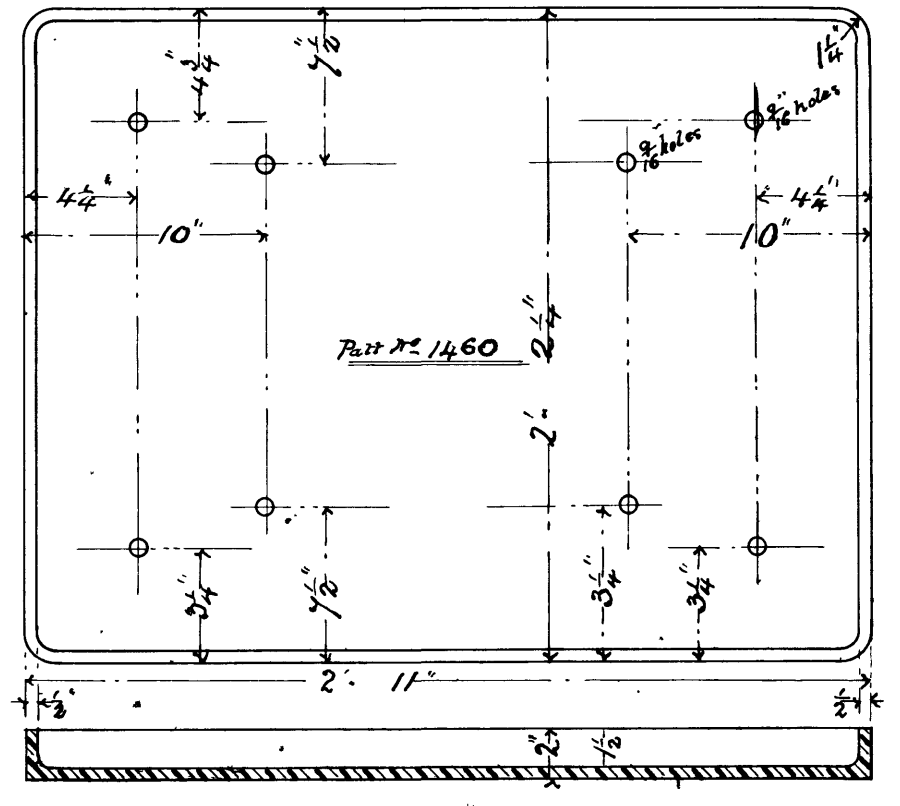
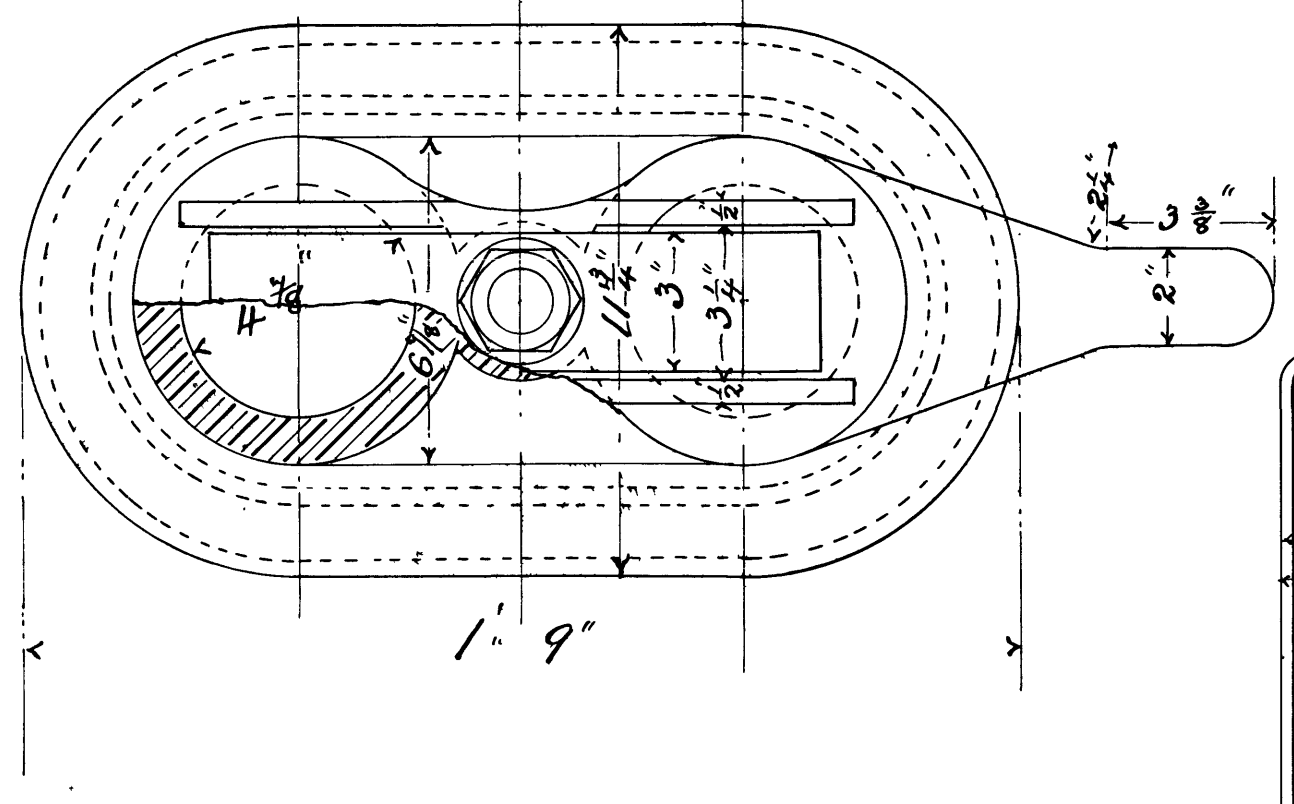
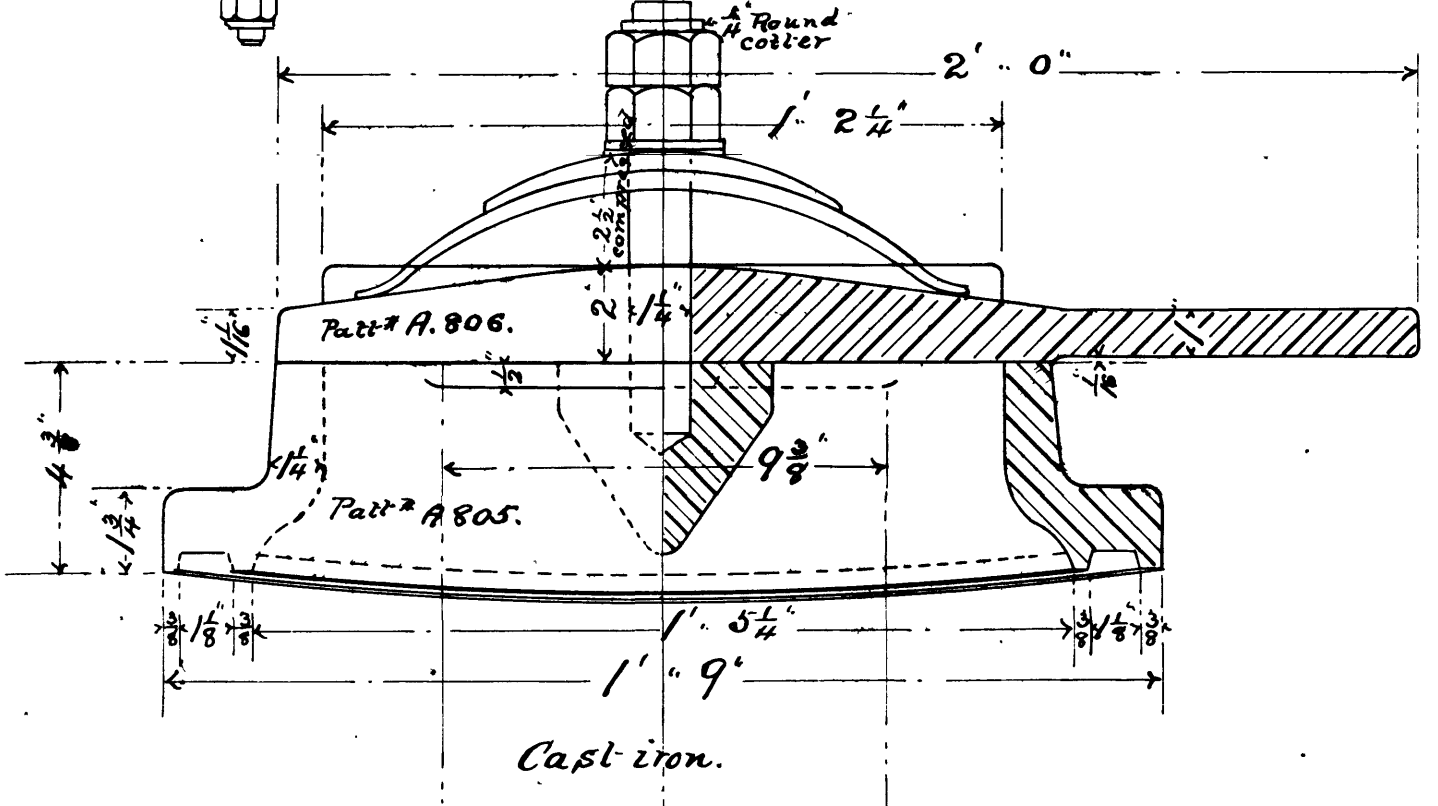
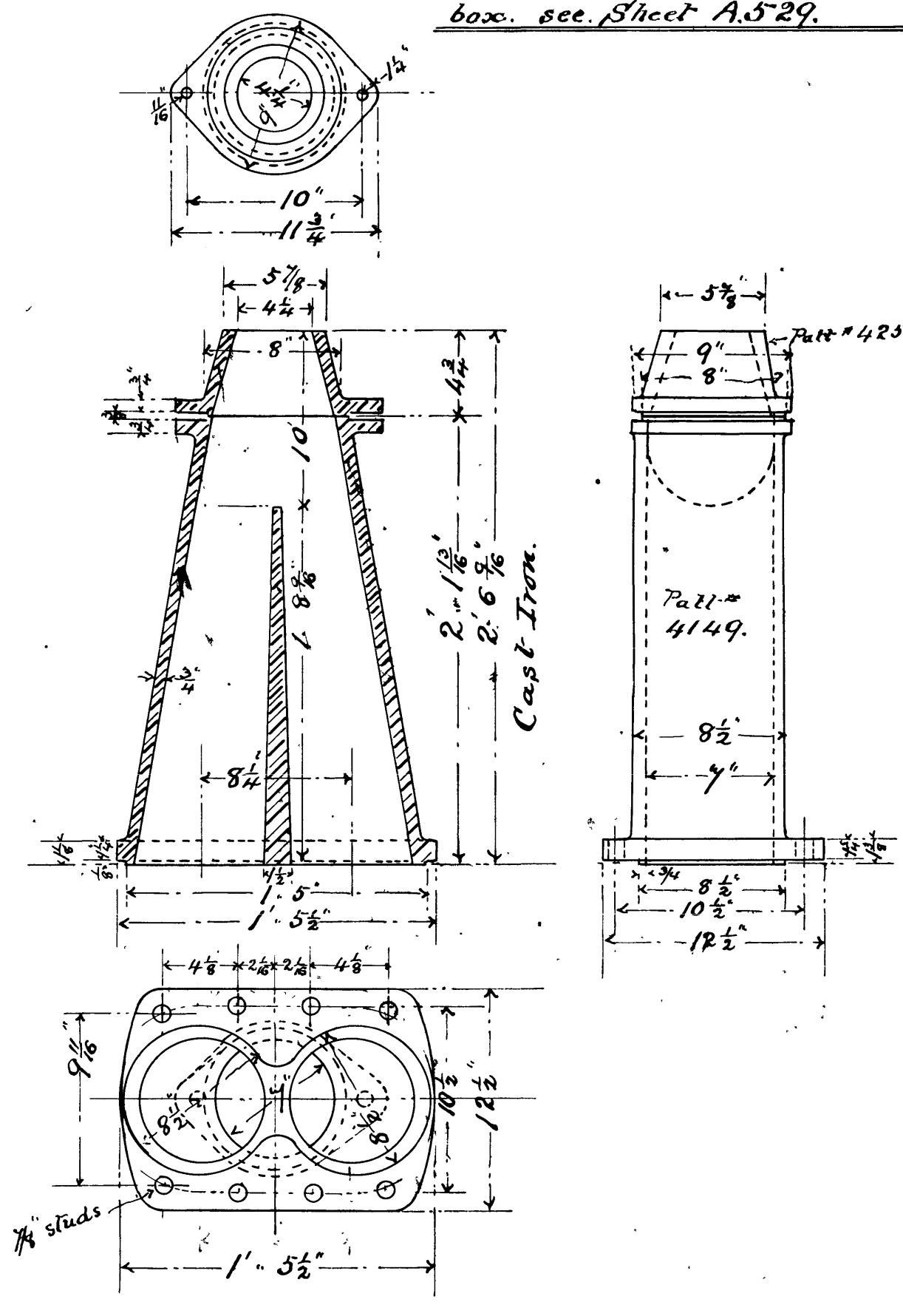
Detail of perforated plate B Full size. Plate to be put in so that the 1" way of perforations will be cross ways of boiler plates secured to angle irons with 1/2" bolts 1/4" Cen to Cen.



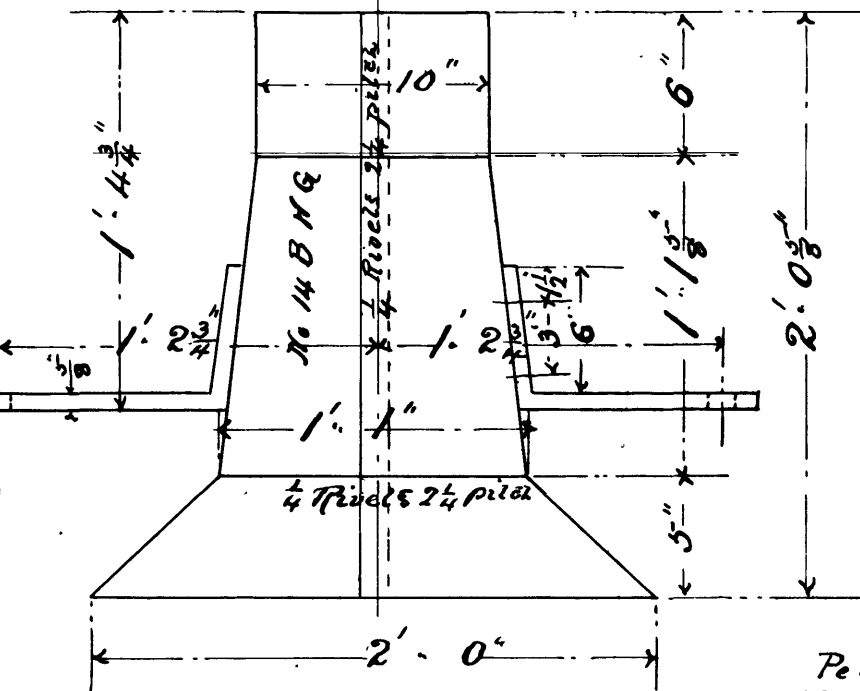
Blizzard Lamp Bracket Brass.



Note: For corrections on Smoke box, see Sheet A529.



Head Light Board, Cast Iron.



Pitcoat pipe to be made of No 14 B.M.G. iron in two pieces as shown, the adjustable sleeve to be held to desired position on pipe proper by friction from tightening the bolts. For dimensions and manner of hanging etc see drawings.

Exhaust pipe from Air Pump to where it enters smoke box to be of one inch gas pipe from inside of smoke box to point of discharge at nozzle to be of 3/4" gas pipe. Blower pipe to be 3/4" inch gas pipe, Connection through smoke box sheet for both Pump exhaust pipe and Blower pipe to be made by the Brass coupling shown at C.C. Smoke box sheet to be lapped to receive the union which is put in from inside and secured by check nut as shown. Connections made to union as per detail shown on Detail sheet. Drain pipes E.E. to be of 1/2" inch gas pipe and to be provided with plug cocks.

**O R N O**  
**FRONT END DETAILS**  
 STANDARD 10 WH ENGINE  
 OFFICE OF MASTER MECHANIC  
 Albina Oregon June 1893

Approved *J. Ferraham*  
 Master Mechanic