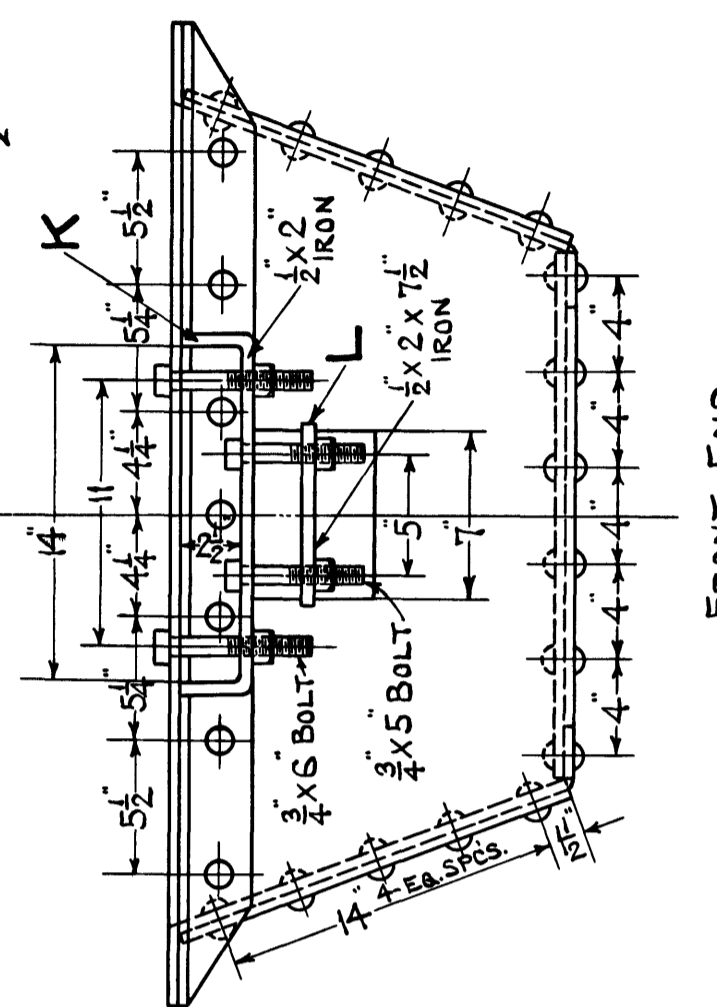
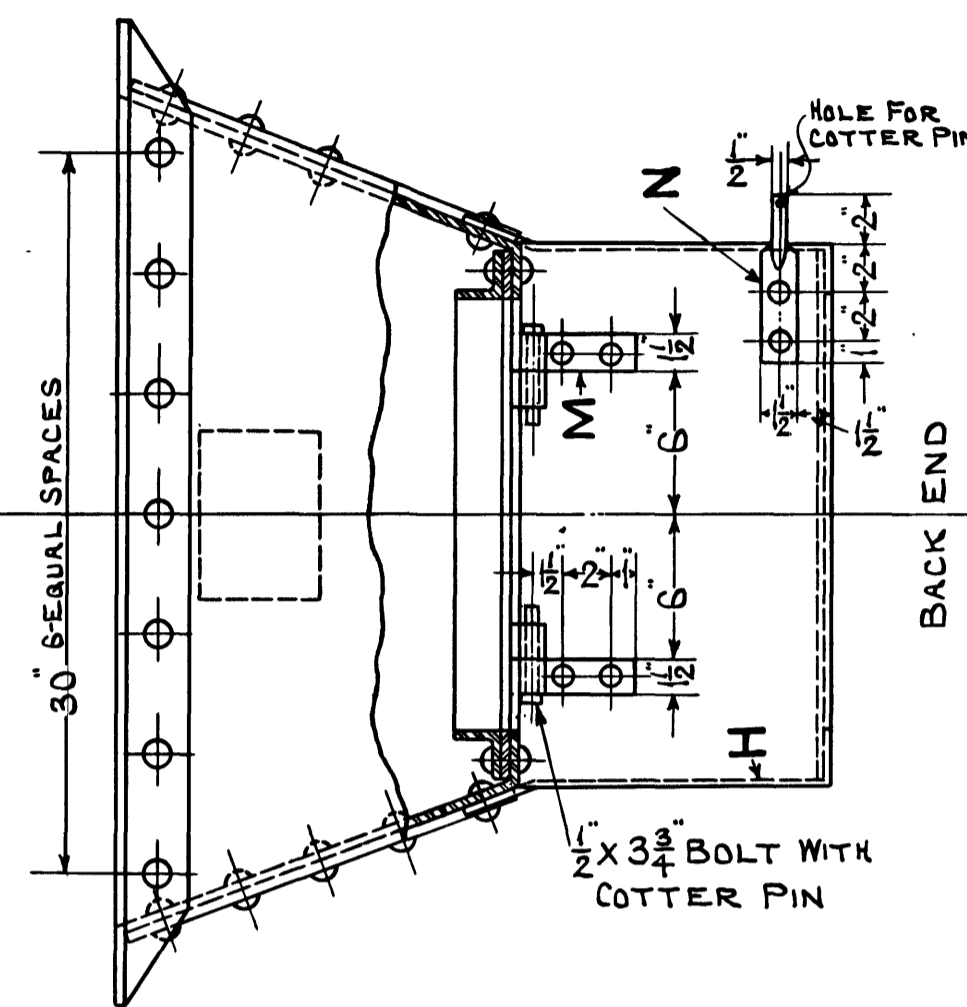
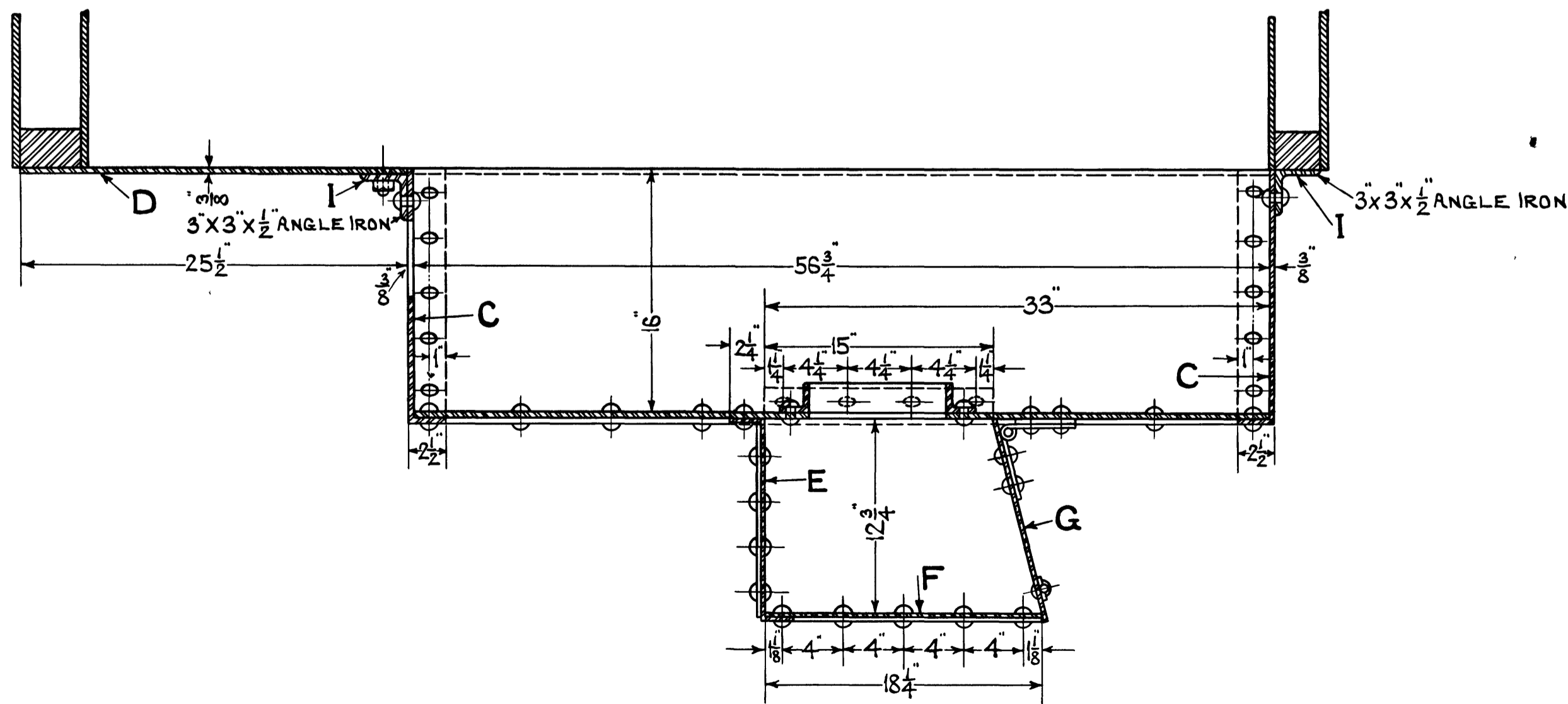


SECTION LOOKING FORWARD



FRONT END



ALL BOLTS $\frac{3}{4}$ " DIA. CSK. HEADS
 ALL STUDS $\frac{7}{8}$ " DIA.
 ALL RIVETS IN PAN $\frac{5}{8}$ " DIA.
 ALL RIVETS IN HOPPER $\frac{1}{2}$ " DIA.
 ALL RIVET HEADS INSIDE PAN TO BE HAMMERED FLAT

BILL OF MATERIAL							
MARK	DESCRIPTION	NO. REQ.	MARK	DESCRIPTION	NO. REQ.		
A	SIDE PLATE	$\frac{3}{8}$ x 23 x 56	2	H	SIDE PLATE	$\frac{1}{2}$ x 18 x 21	2
B	BOTTOM PLATE	$\frac{3}{8}$ x 22 x 56	1	I	3 x 3 x $\frac{1}{2}$ ANGLE 4' LONG	2	
C	END PLATE	$\frac{3}{8}$ x 19 x 41	2	J	2 x 2 x $\frac{3}{8}$ ANGLE 64" LONG	1	
D	TOP PLATE	$\frac{3}{8}$ x 25 $\frac{1}{2}$ x 41	1	K	$\frac{1}{2}$ x 2 x 19 $\frac{1}{2}$ IRON	1	
E	END PLATE-HOPPER	$\frac{1}{4}$ x 17 $\frac{1}{2}$ x 22	1	L	$\frac{1}{2}$ x 2 x 7 $\frac{1}{2}$ "	1	
F	BOTTOM PLATE	$\frac{1}{4}$ x 18 x 22	1	M	$\frac{1}{4}$ x 1 $\frac{1}{2}$ x 8 "	4	
G	DOOR PLATE	$\frac{1}{4}$ x 13 $\frac{1}{2}$ x 22 $\frac{1}{2}$	1	N	$\frac{1}{4}$ x 1 $\frac{1}{2}$ x 7 "	1	

LOS ANGELES & SALT LAKE R.R.
 FIRE PAN
 FOR SHOP ENGINE



LOS ANGELES CAL. APRIL 23, 1924

DRAWING E-1467

REVISIONS

CORRECT HOWEVER
 MECH'L. ENGR.
 APPROVED J. Flaug
 SUPT. M. P. & O. M.