

UNION PACIFIC

OFFICE SUPT MOTIVE POWER & MACHINERY

FIRE DOOR AND FRAME

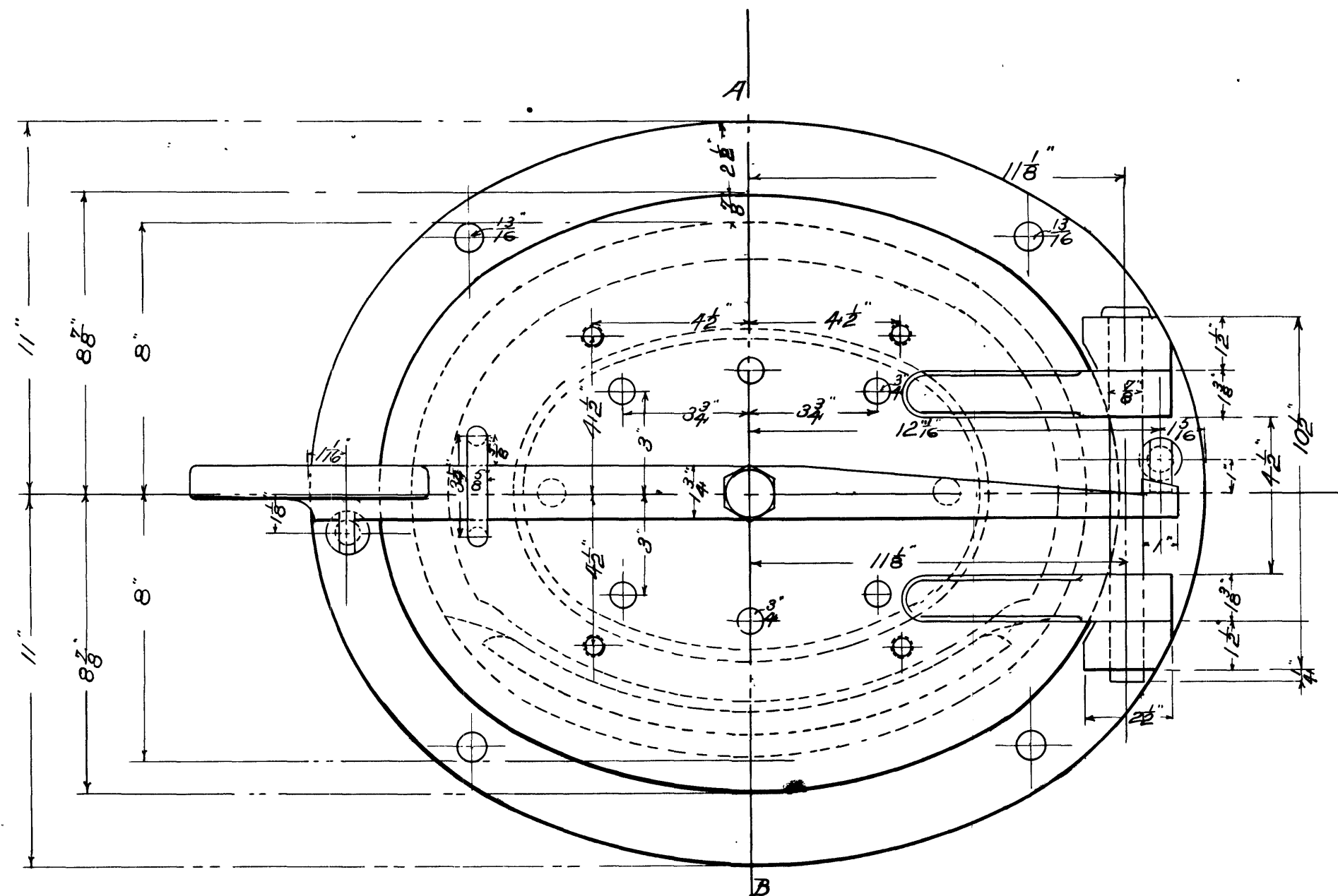


SCALE 3 IN. = 1 FT

OMAHA NEB.

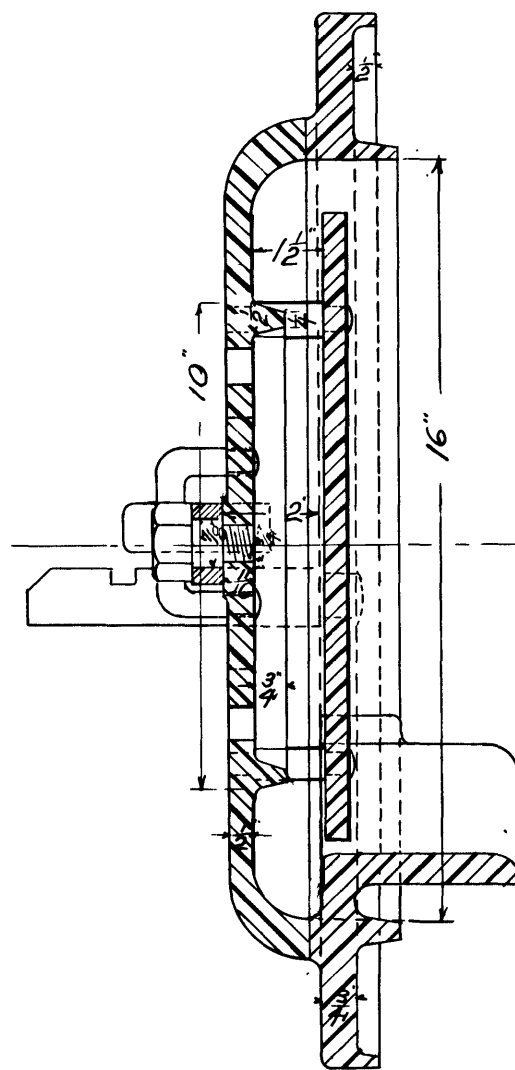
APRIL 1901

FOR NEW DESIGN OF CAST STEEL
FRAME SEE DWG 4159

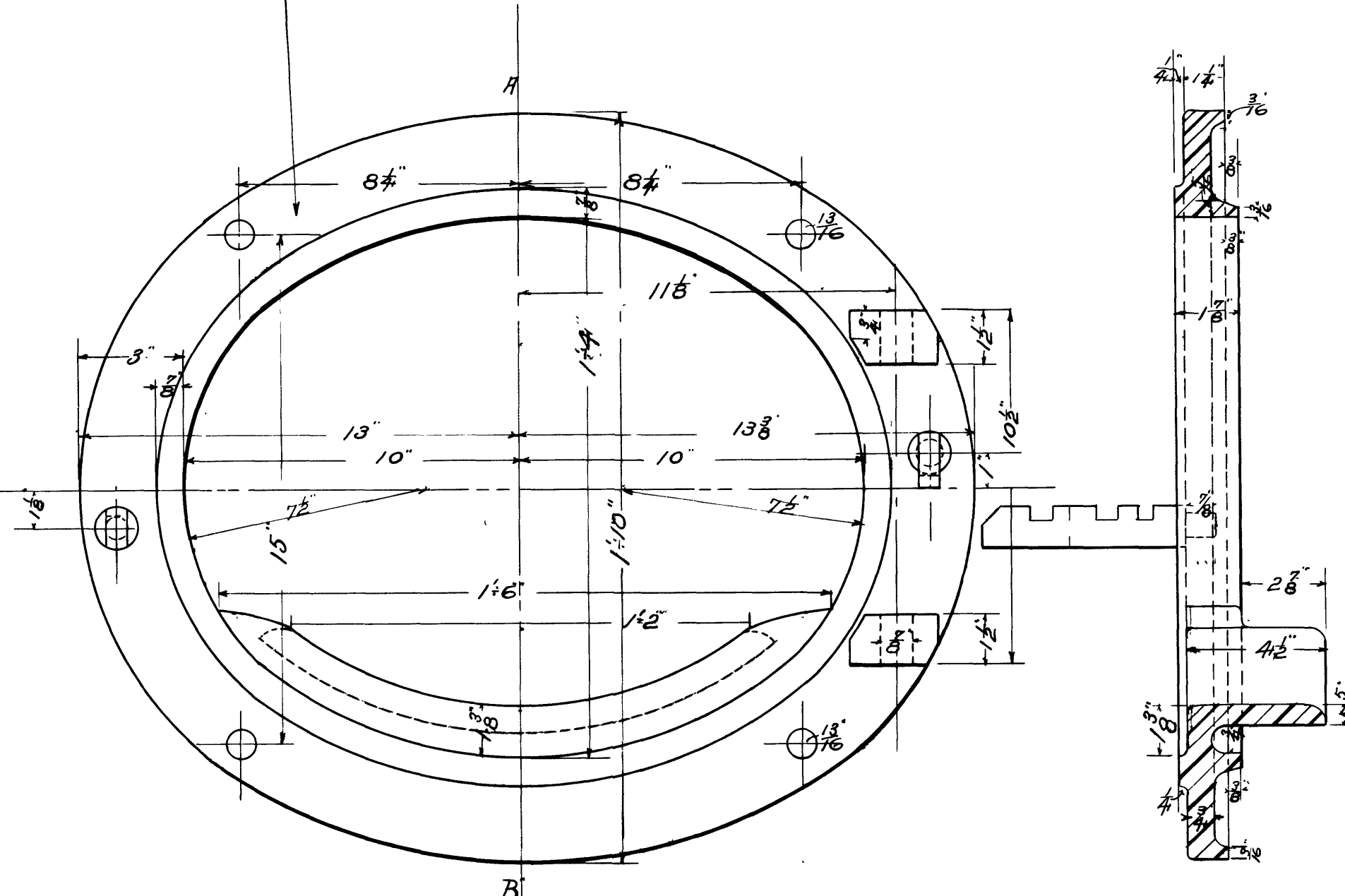


Door and Frame Cast Iron

Part No's Door 14968 A2256
Frame 14970 A2258



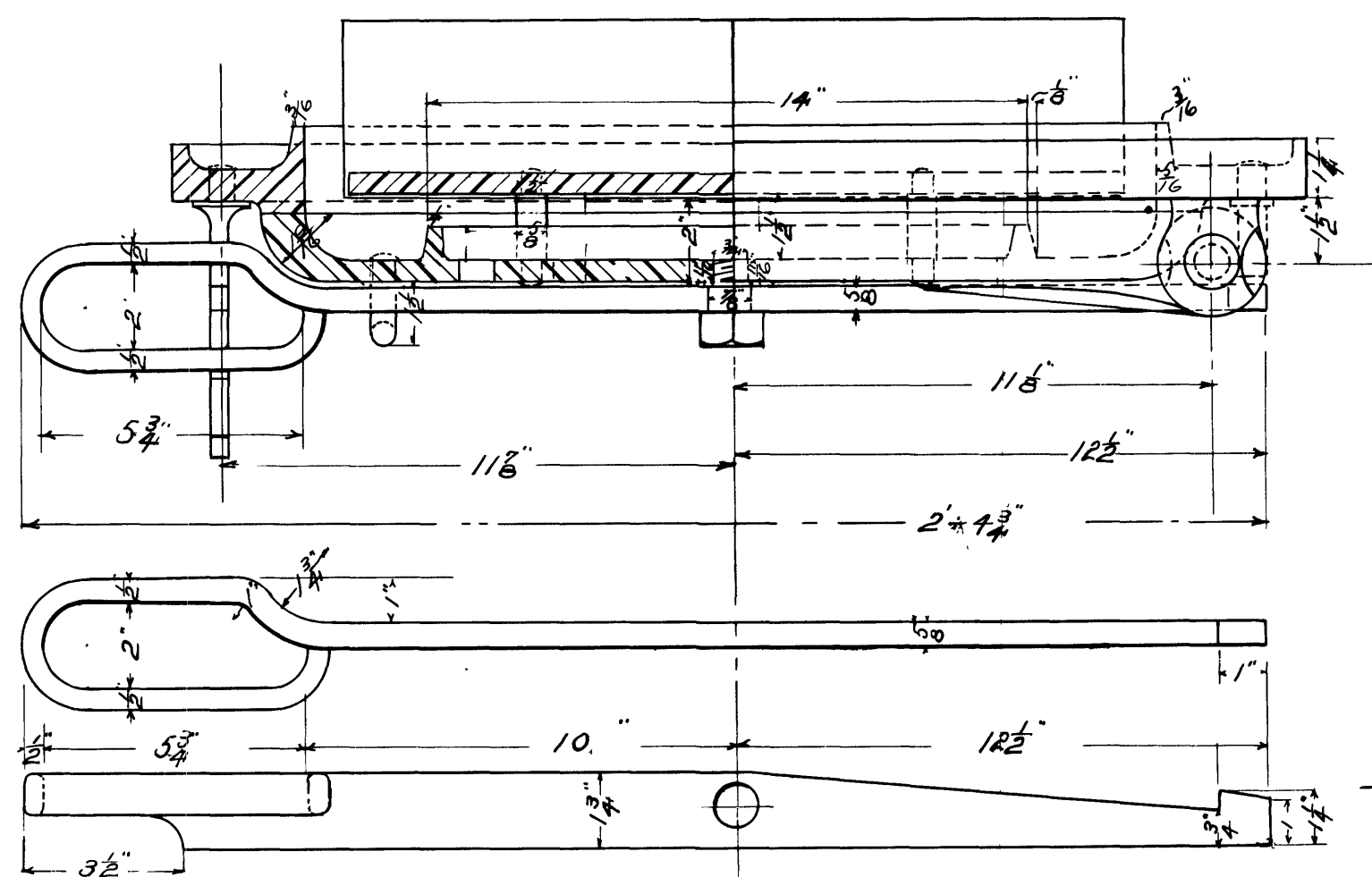
Section at A-B



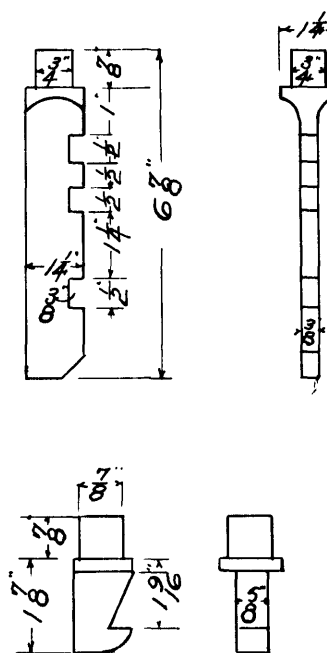
Frame Cast Iron

Part No. 14970

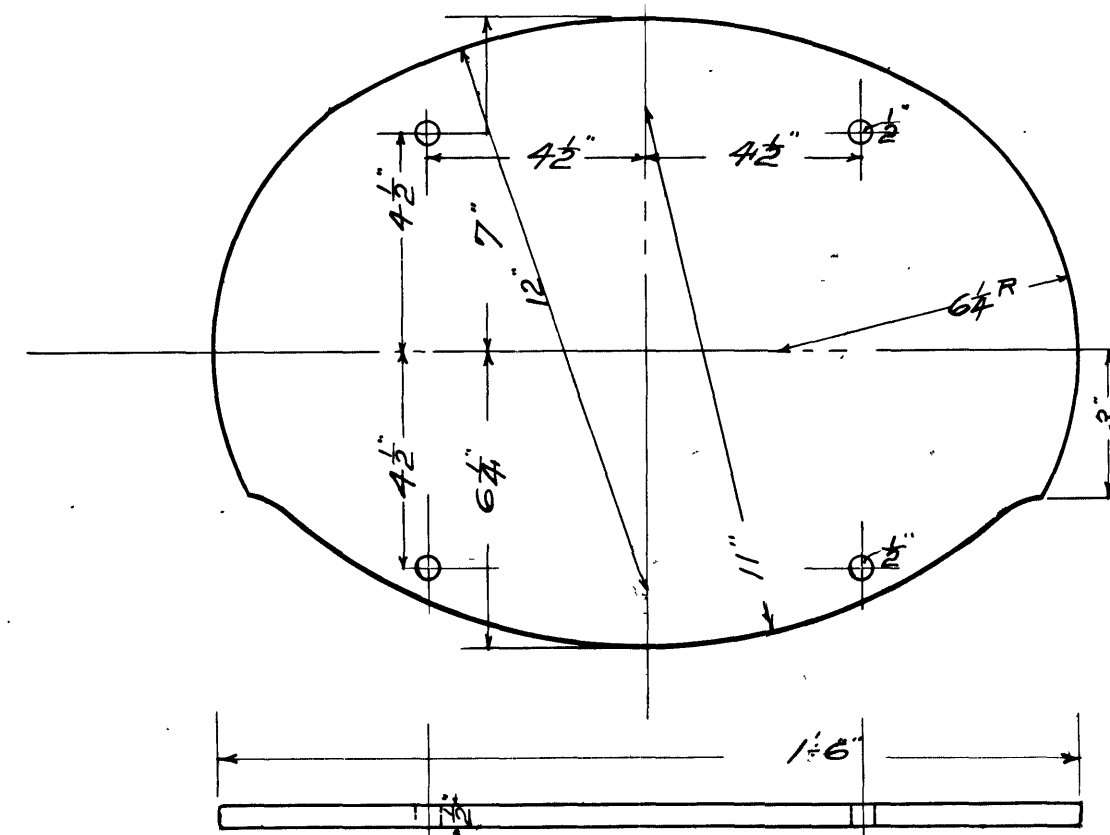
Section at A-B



Fire Door Handle



Latch



Liner Cast Iron
Part No. 14969

List of Patterns	No's
Door	A2256/14968
Frame	A2258/14970
Liner	A2257/14969

Used on Engines 1622 to 1679
Also " 1820 to 1839
" " 1860 to 1869

Let
Dep. 4101