

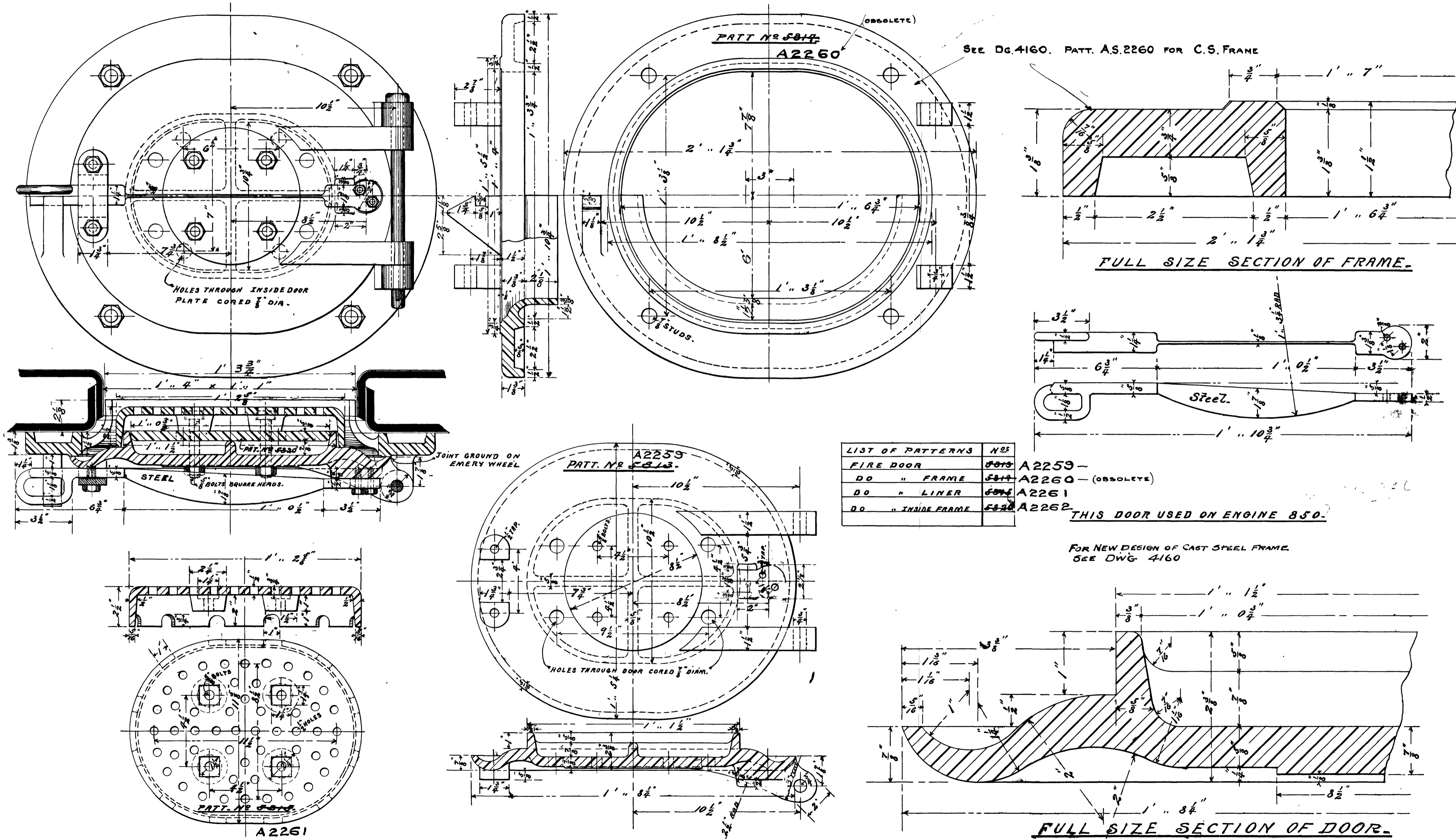
# UNION PACIFIC

OFFICE SUPT MOTIVE POWER & MACHINERY



## FIRE DOOR

Scale 3/4" = 1 Foot. Omaha, Neb. May 1892



LIST OF PATTERNS	NO.
FIRE DOOR	5819
DO " FRAME	5814
DO " LINER	5815
DO " INSIDE FRAME	5820

A2259 -  
A2260 - (OBSOLETE)  
A2261  
A2262  
THIS DOOR USED ON ENGINE 850.

FOR NEW DESIGN OF CAST STEEL FRAME  
SEE DWG. 4160

Corrected, Dec. 21st, '92. D.M.H.