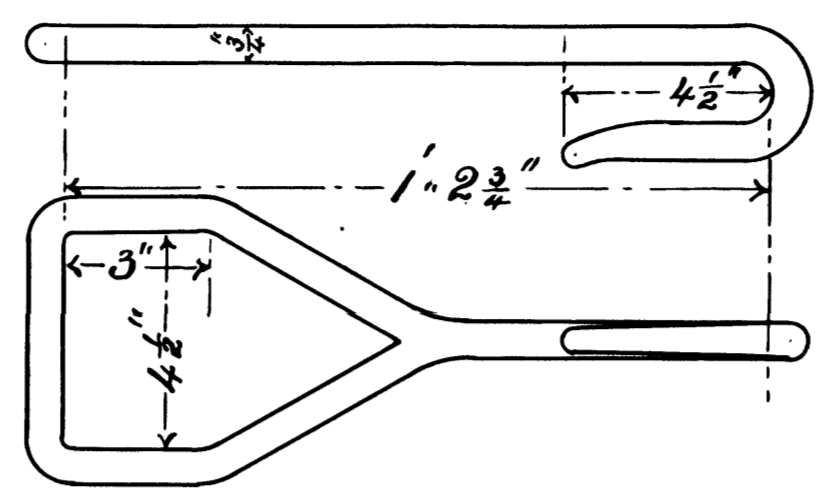
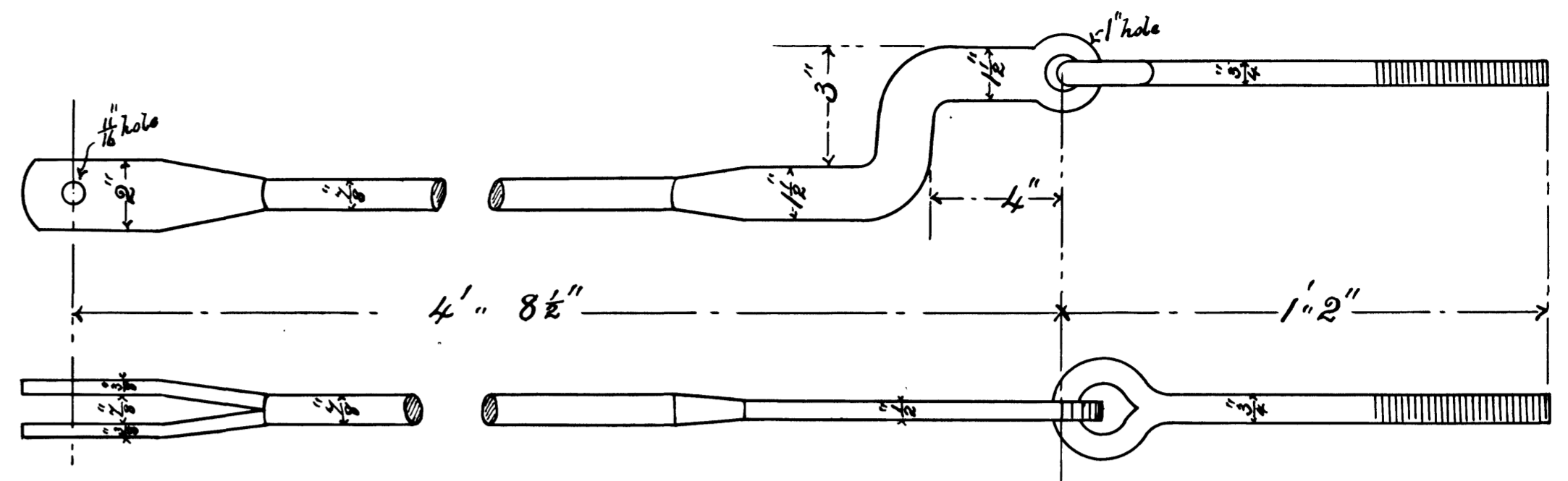


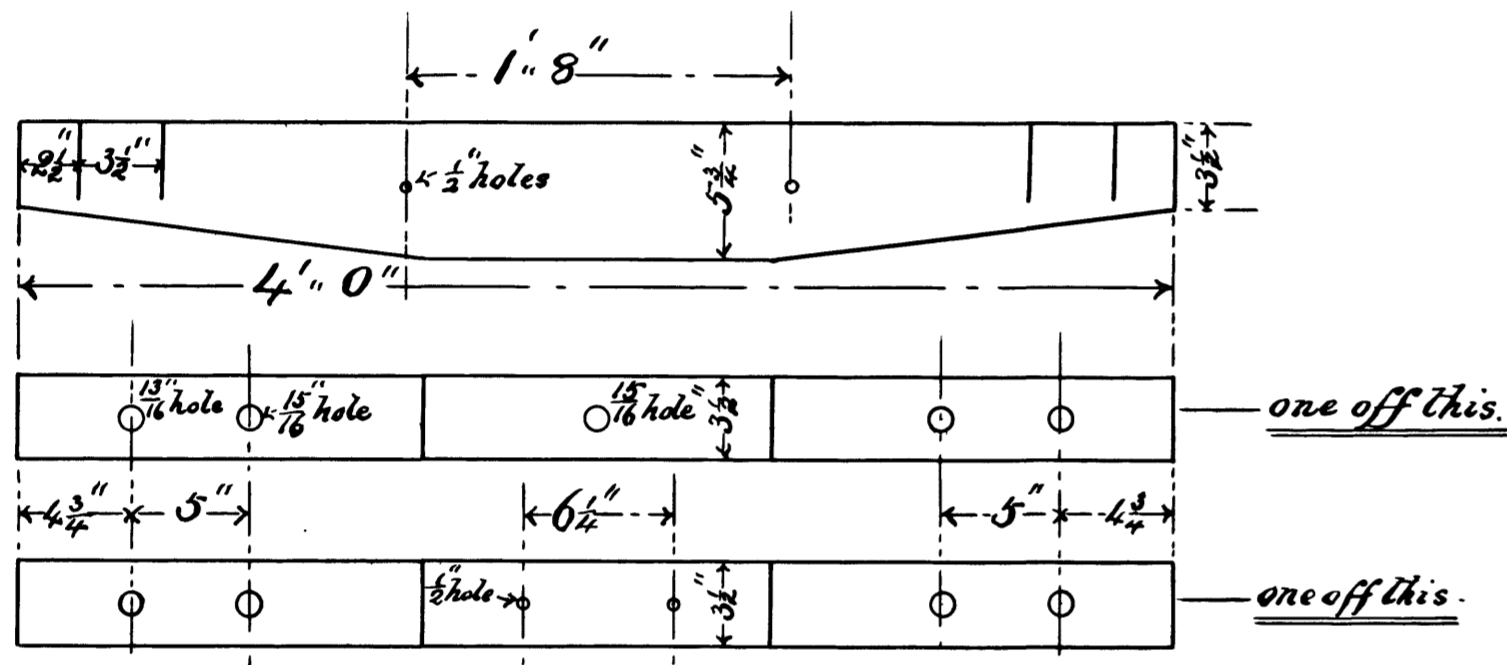
Truck Bolster



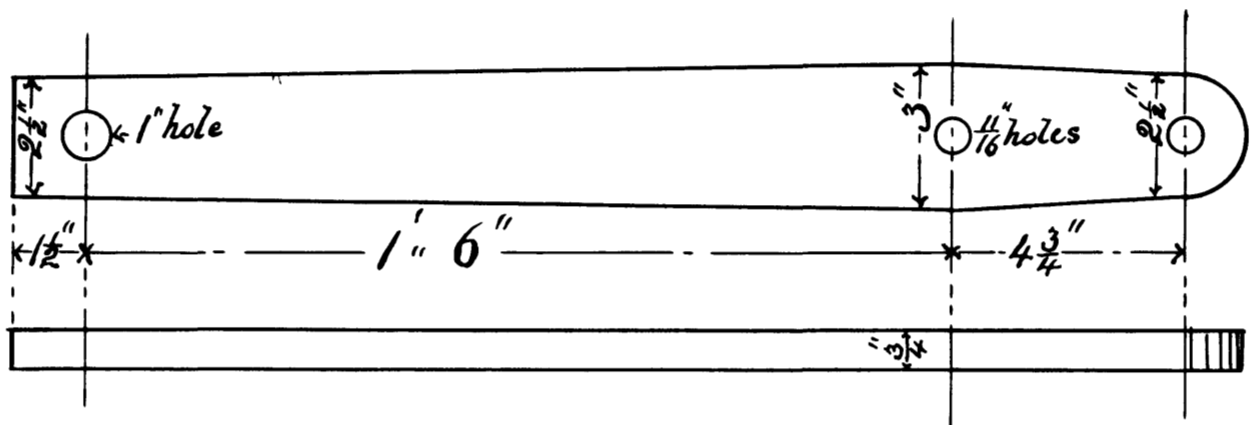
Brake Hanger



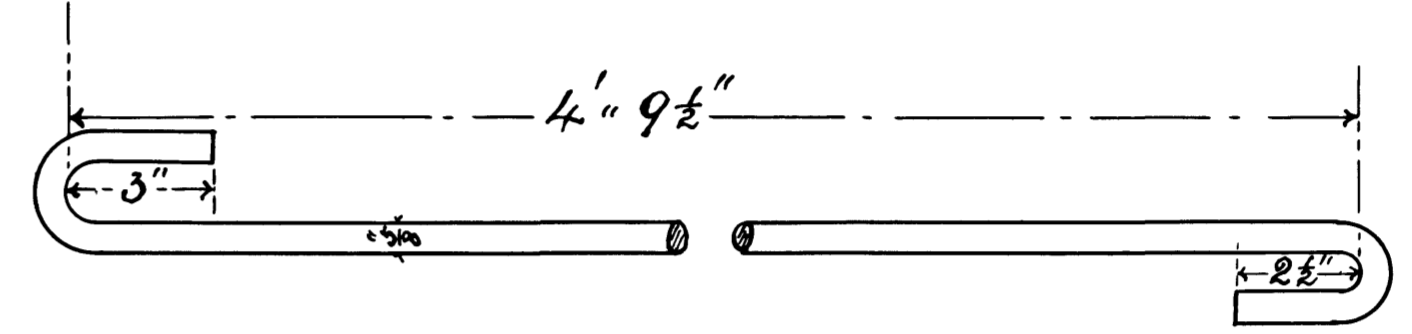
Brake Rod



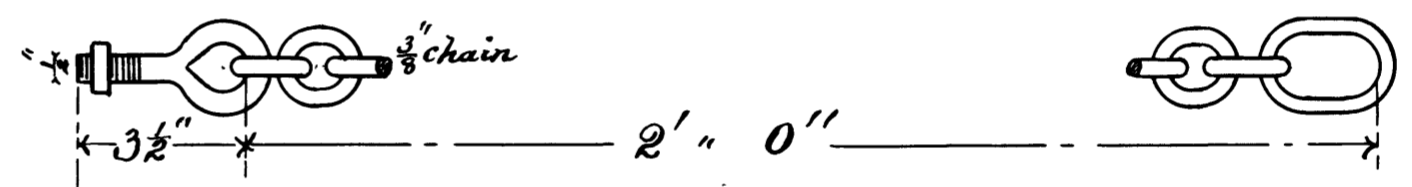
Brake Beam



Brake Lever

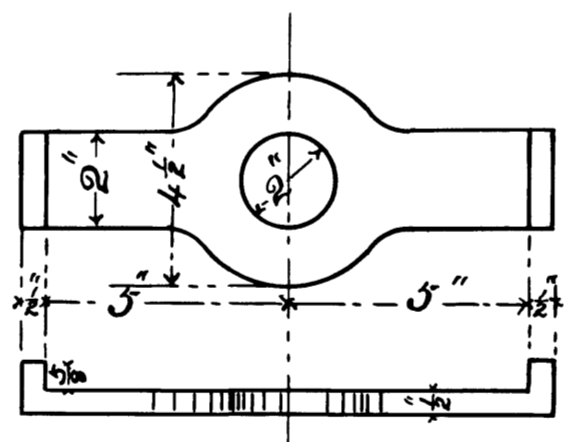


Brake Staff Chain

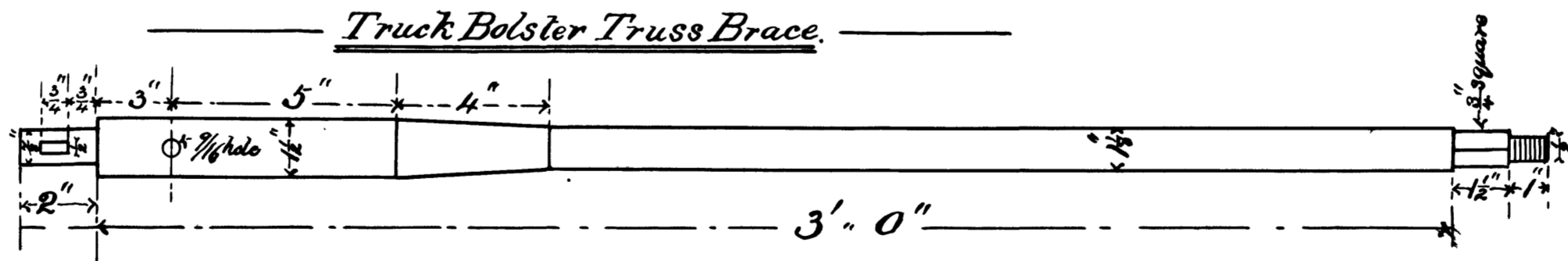


Safety Chain

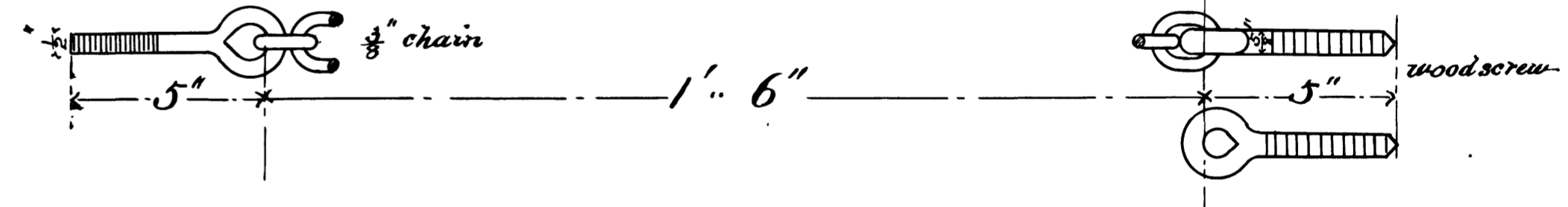
LIST OF CASTINGS.			
	Part No.	Description	Part No.
Draft Lug	N. 19	Brake shoe	N. 22
Truss Rod Saddle	N. 20	" Fulcrum	N. 33
Oil Box	N. 21	Brake staff stop	G. 66
" Lid	N. 22	" guide	S. 11
Truck Bolster guide & arch bar	N. 23	Drawbar	UP 6300
" " Black	N. 24	" dowel block	" 7043
Stake Pocket	N. 25	Journal Brass	" 1979
Brake Head	N. 26	Transom truss rod saddle	S. 71
Transom truss rod double washer	N. 28		
Side bearing bottom	N. 29		
" " top	N. 30		



Truck Bolster Truss Brace



Brake Staff



Brake Beam Guide

UNION PACIFIC

PACIFIC DIVISION

DETAILS

FOR

N.G. FLAT CARS.

Scale 1 1/2" = 3'-1ft

ALBINA OREGON

