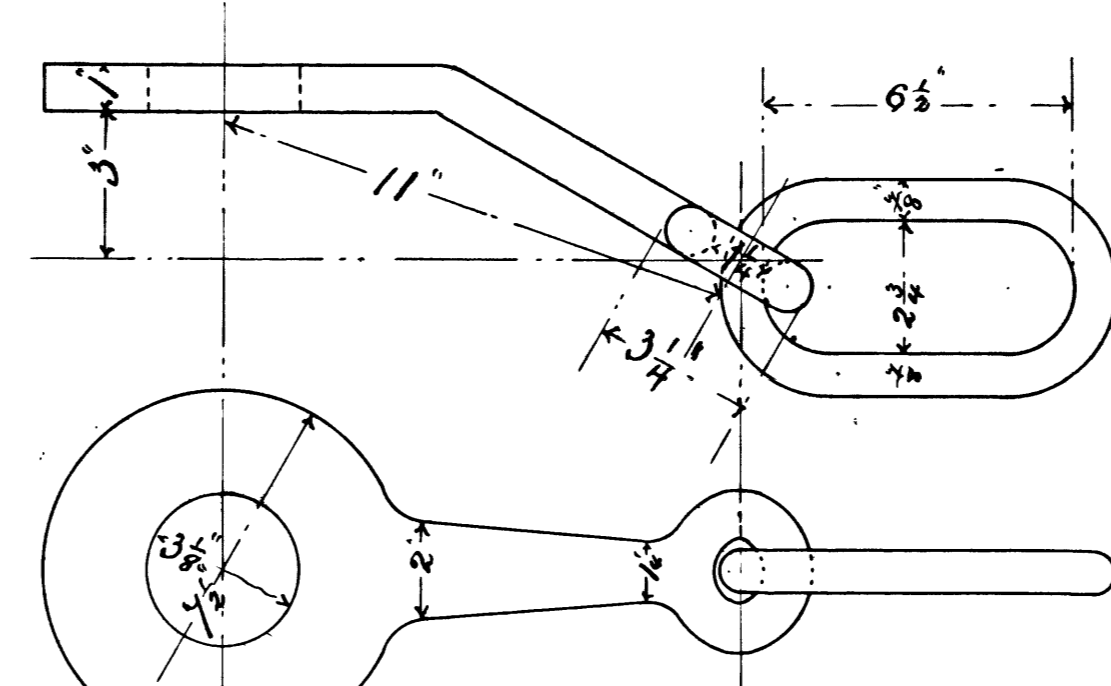
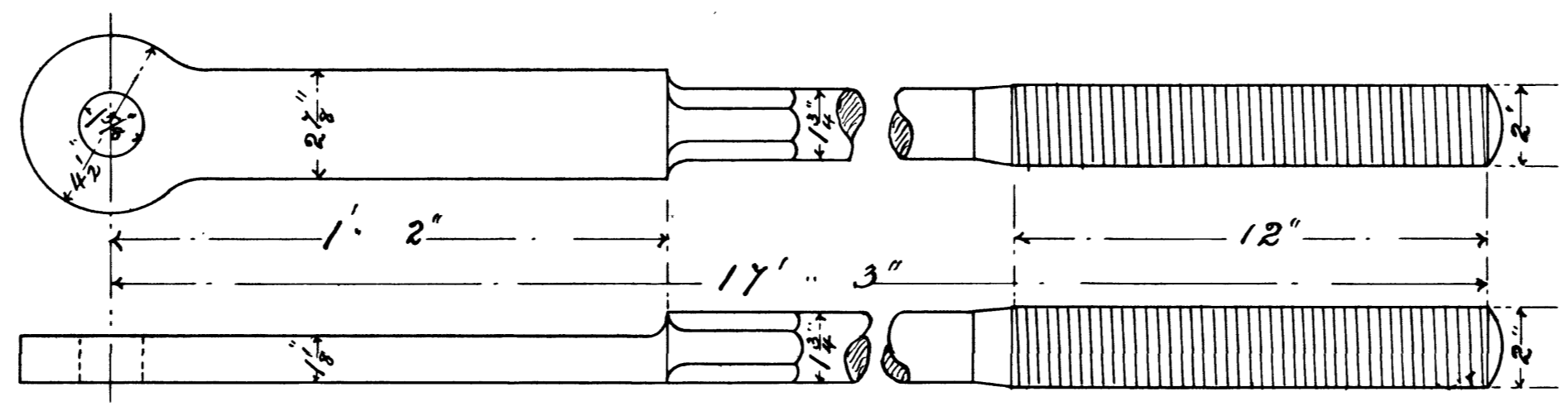
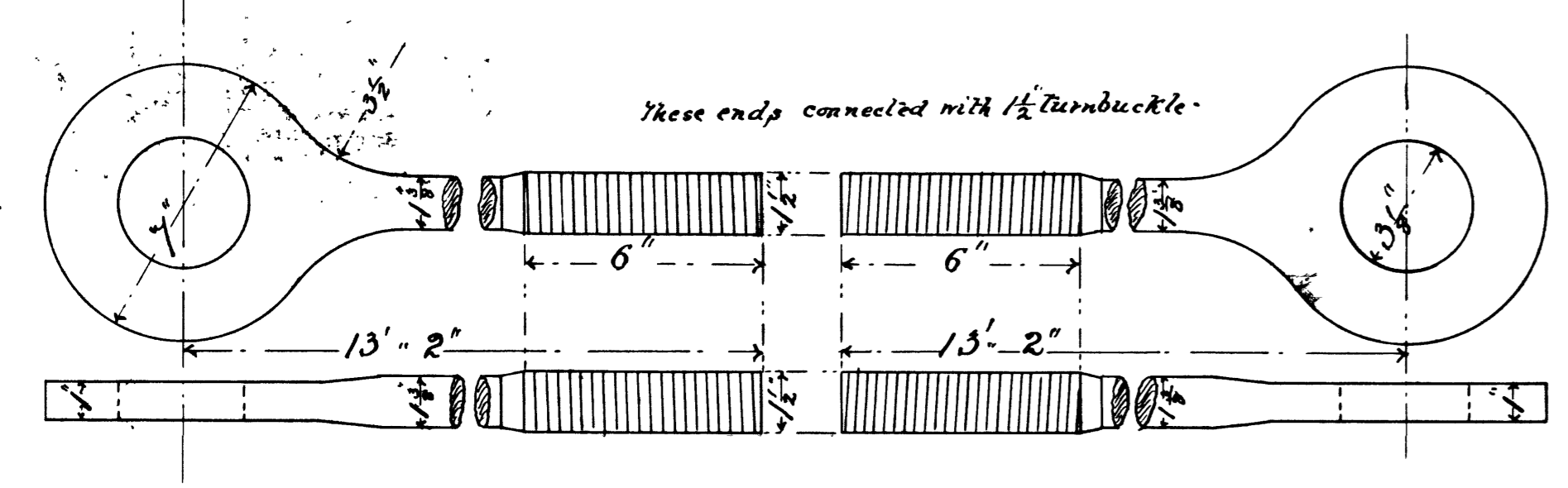
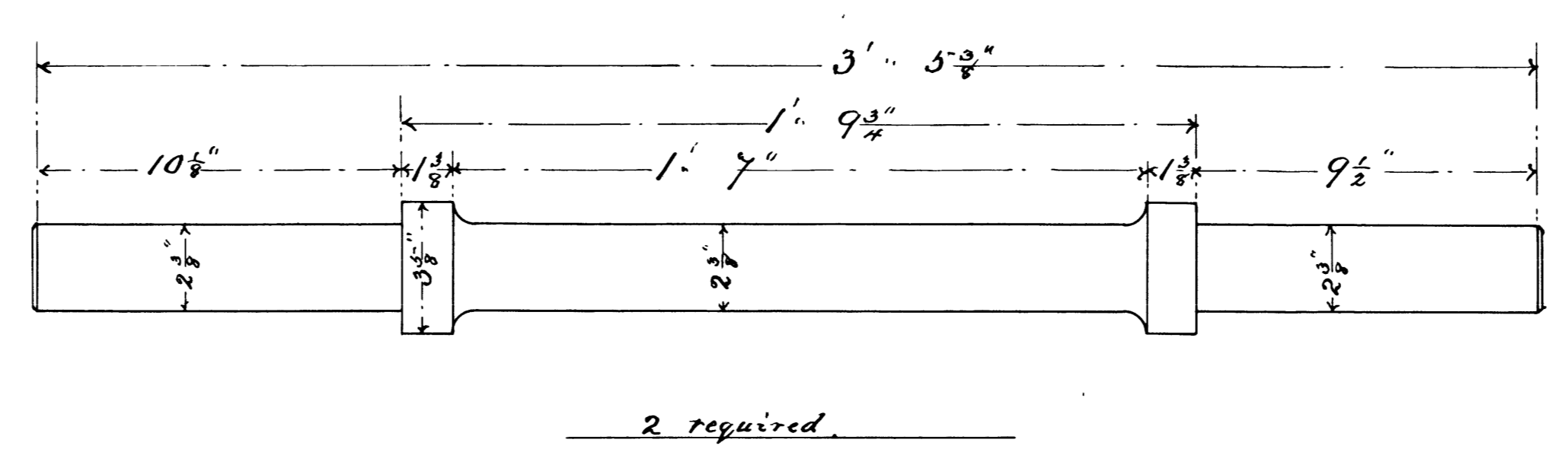
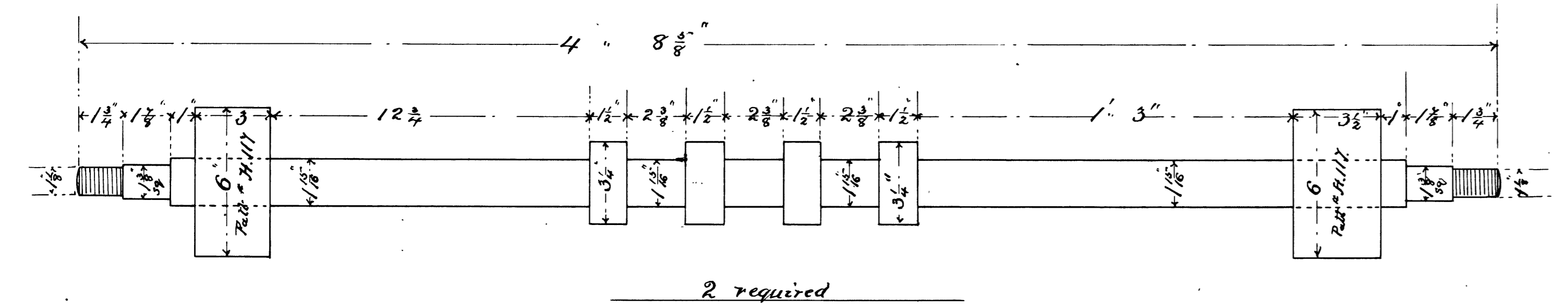
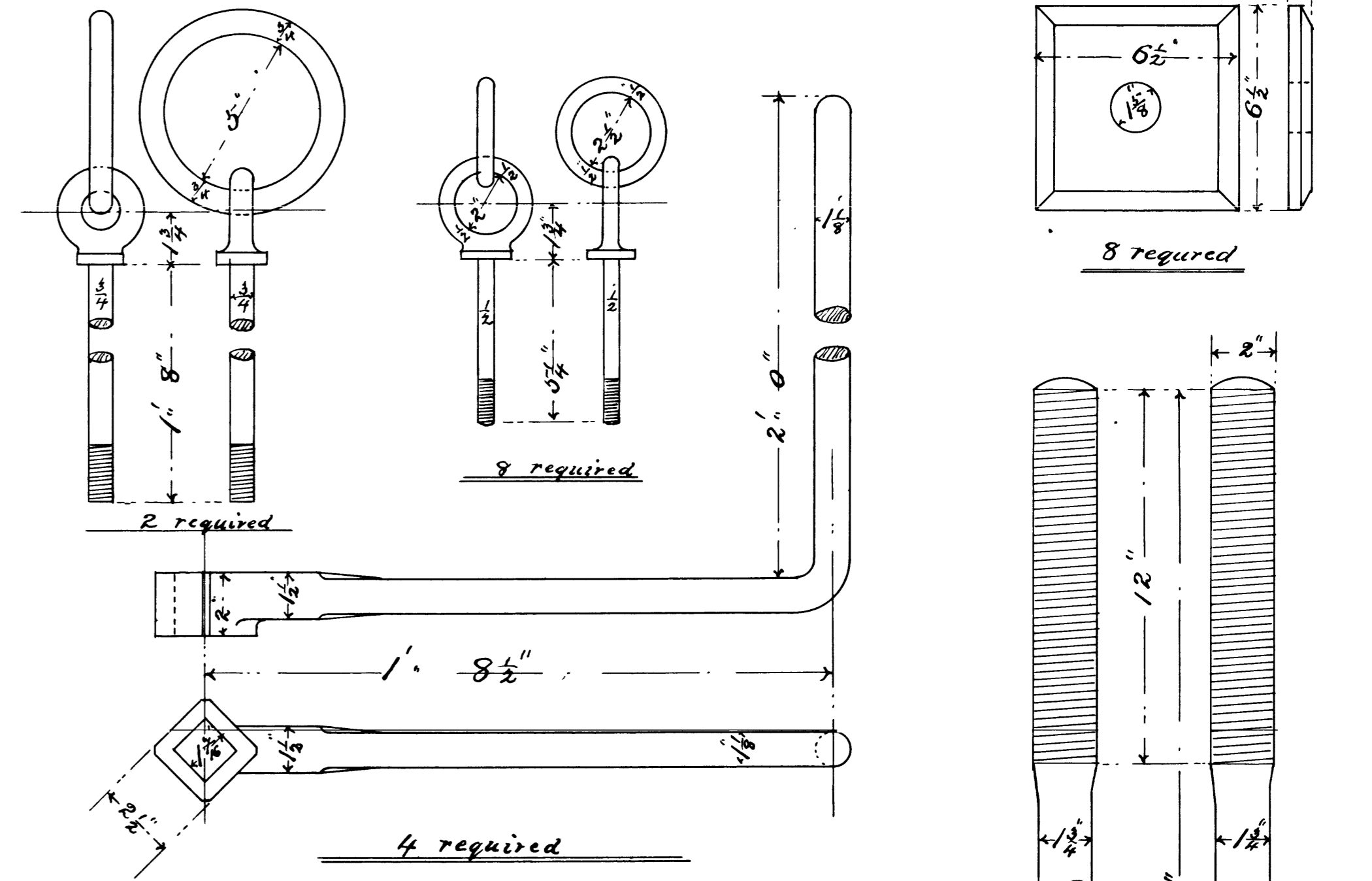
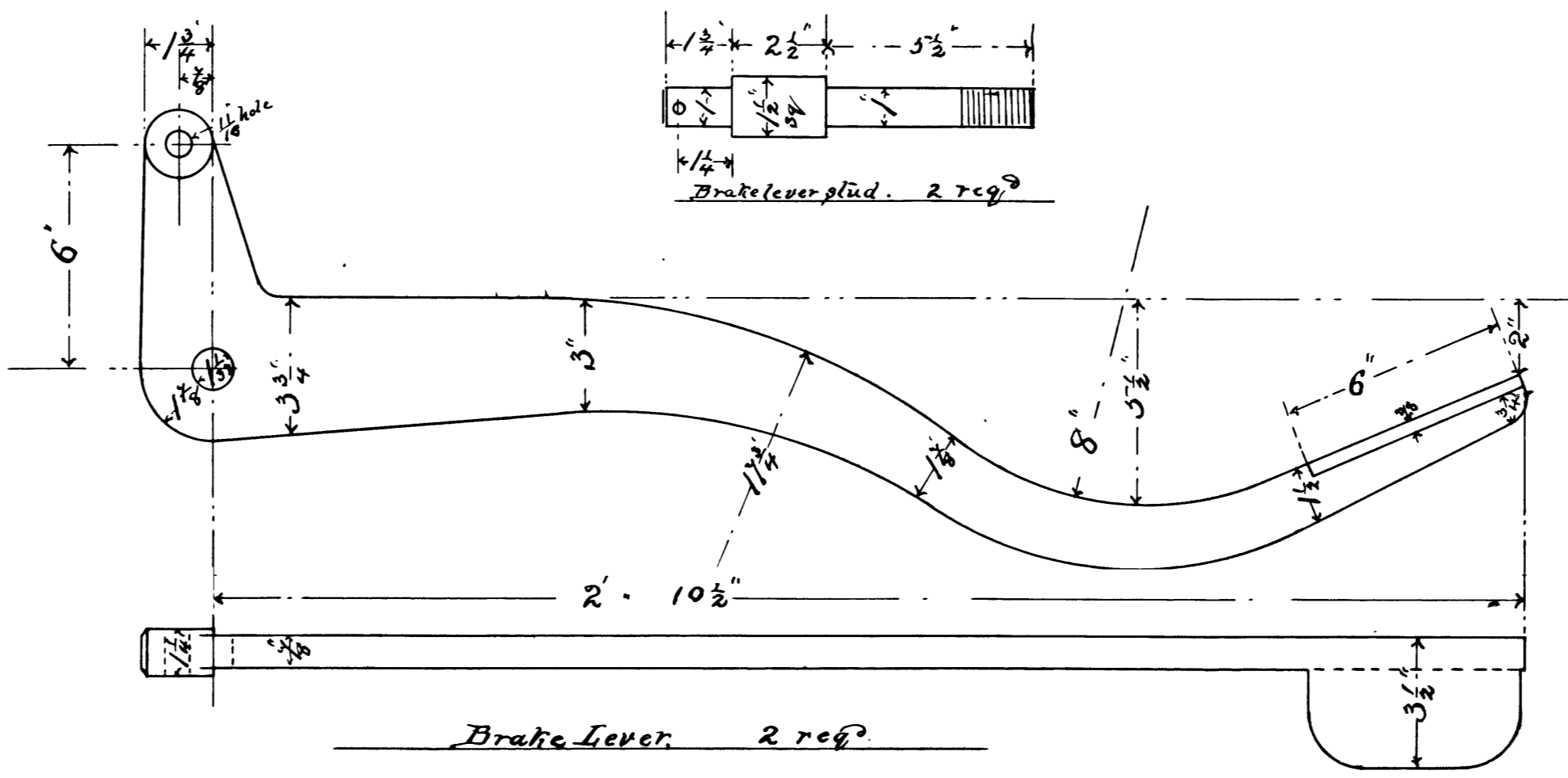
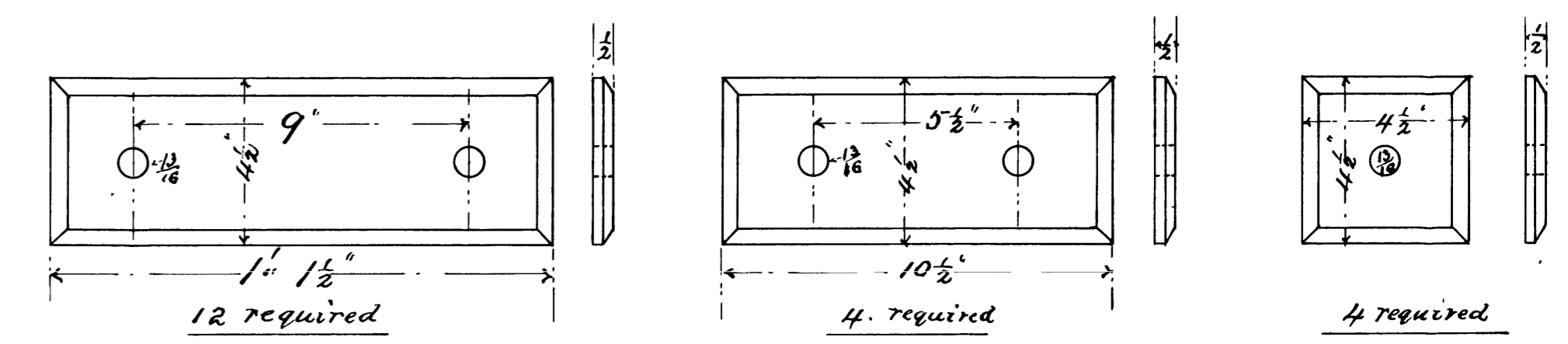
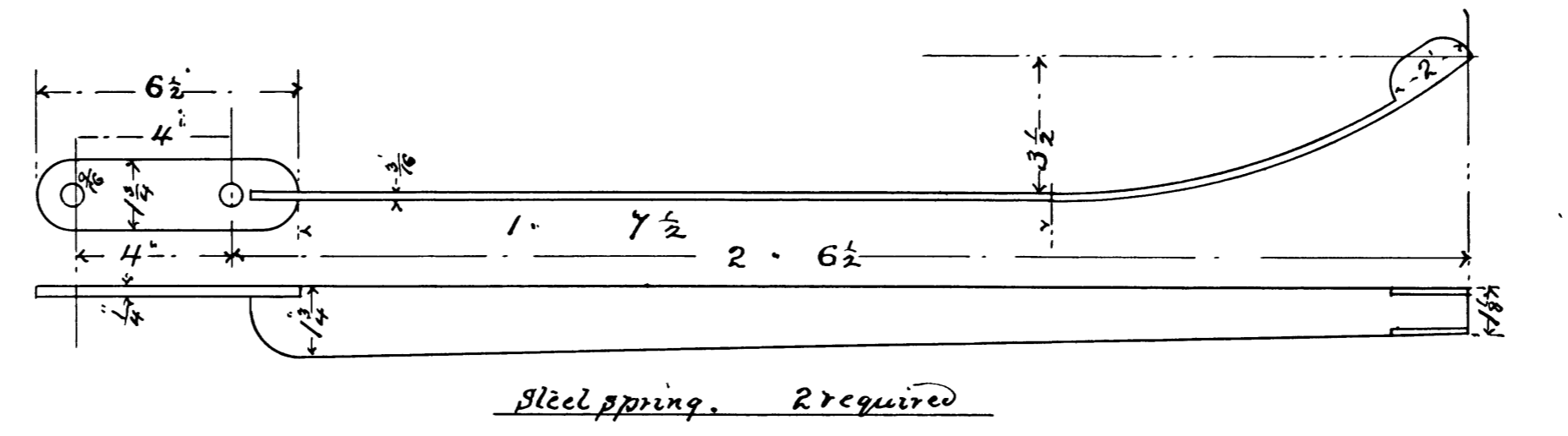
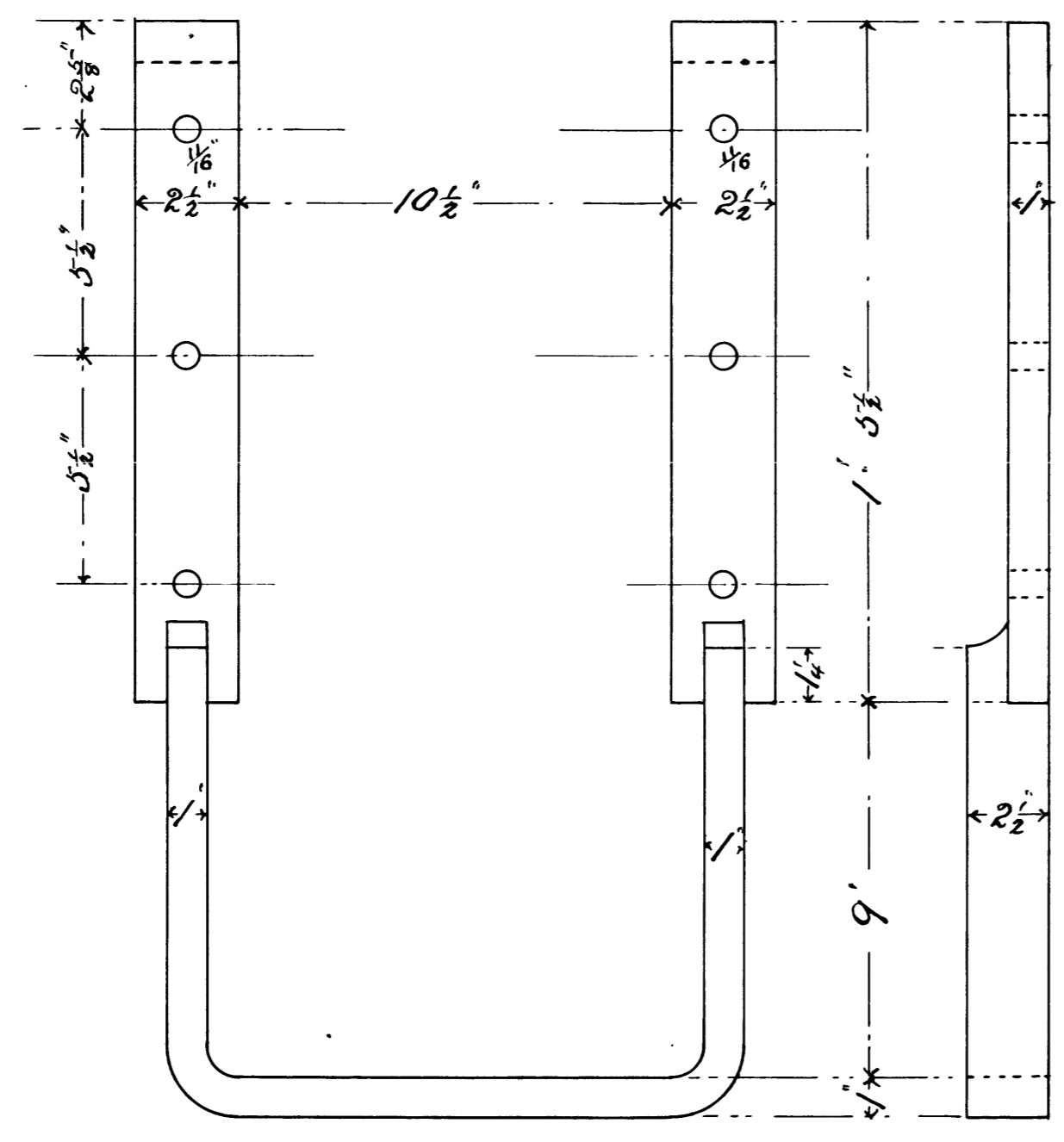
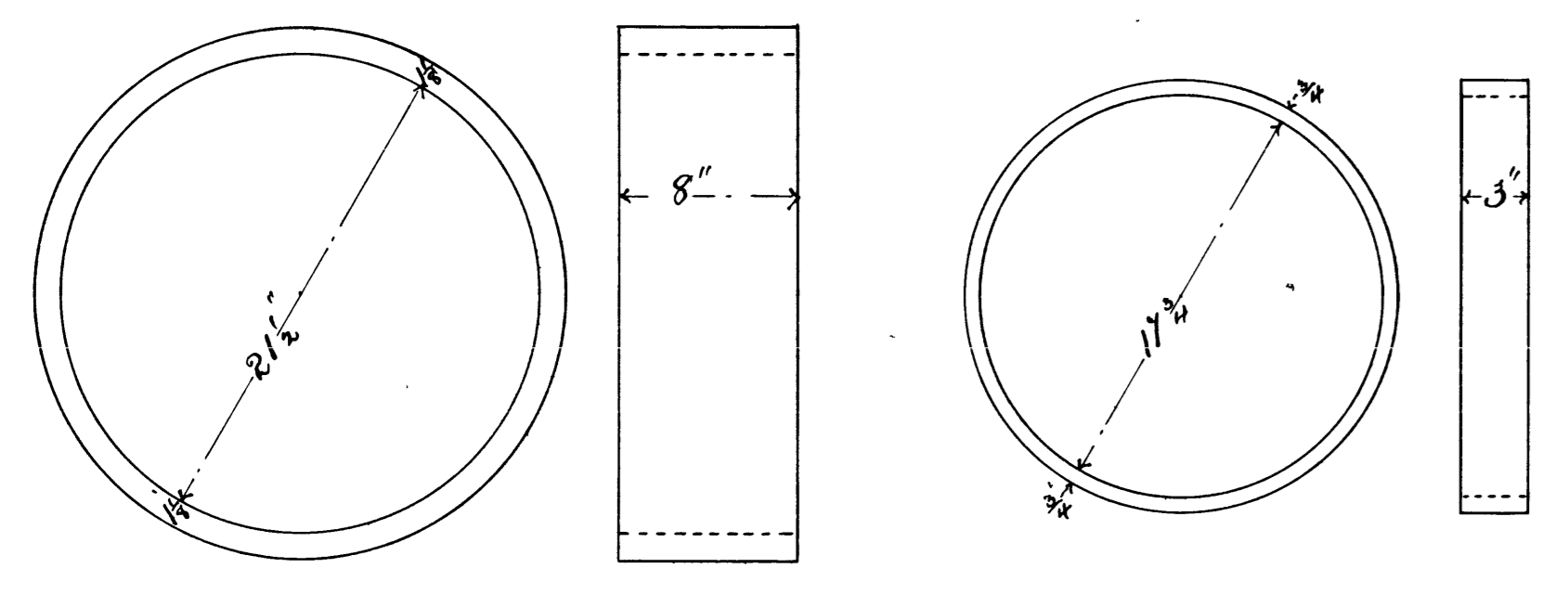
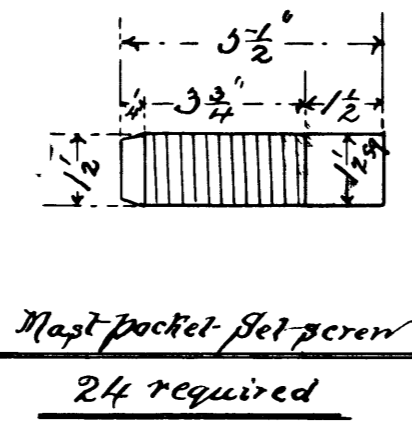


O R & N CO.
WROUGHT IRON DETAILS
 FOR
DERRICK CAR
 Albina, Oregon, Sept. 1895.



Mast Brace. 1 required



Mast Crosshead.
2 required

