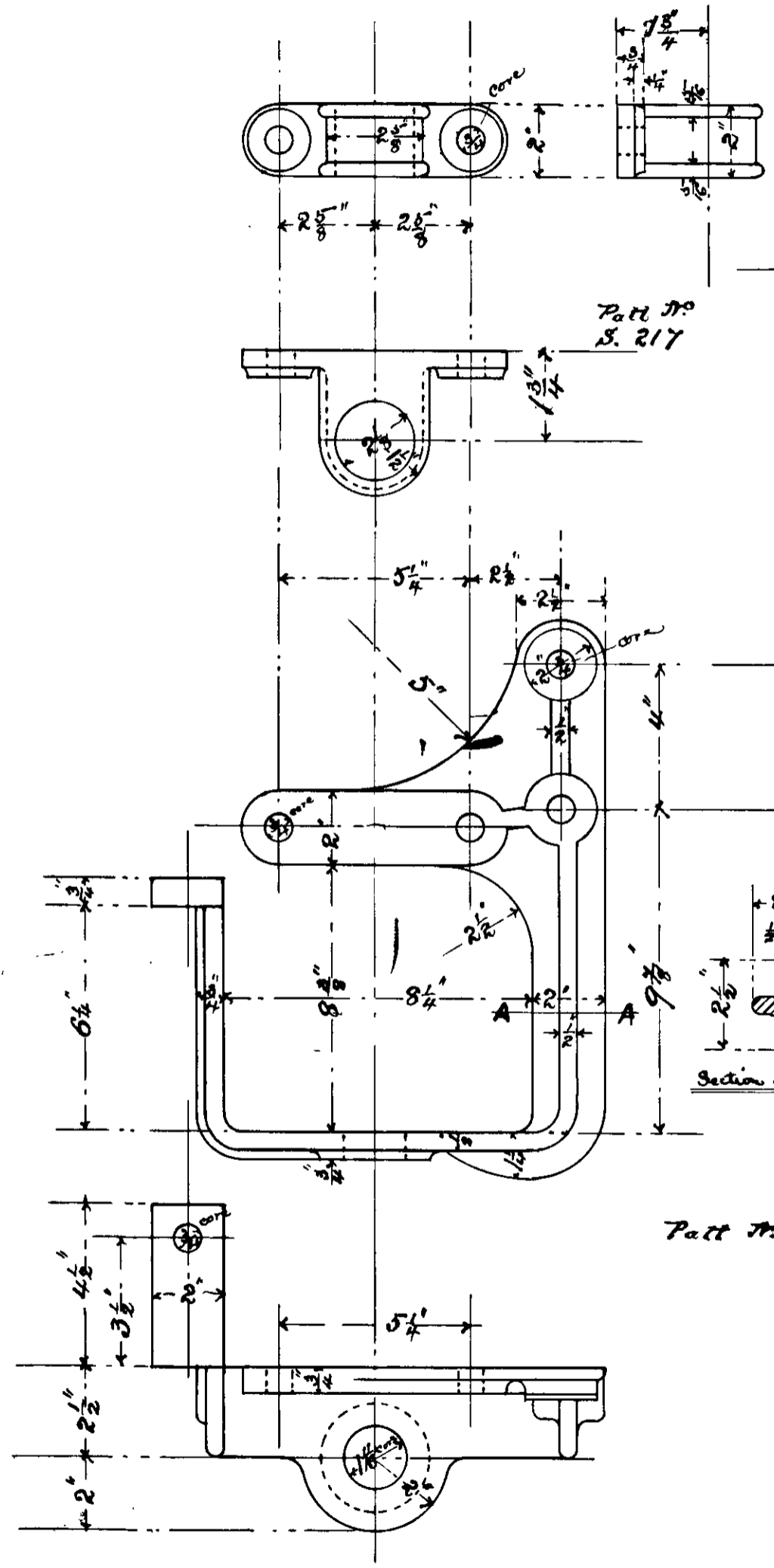


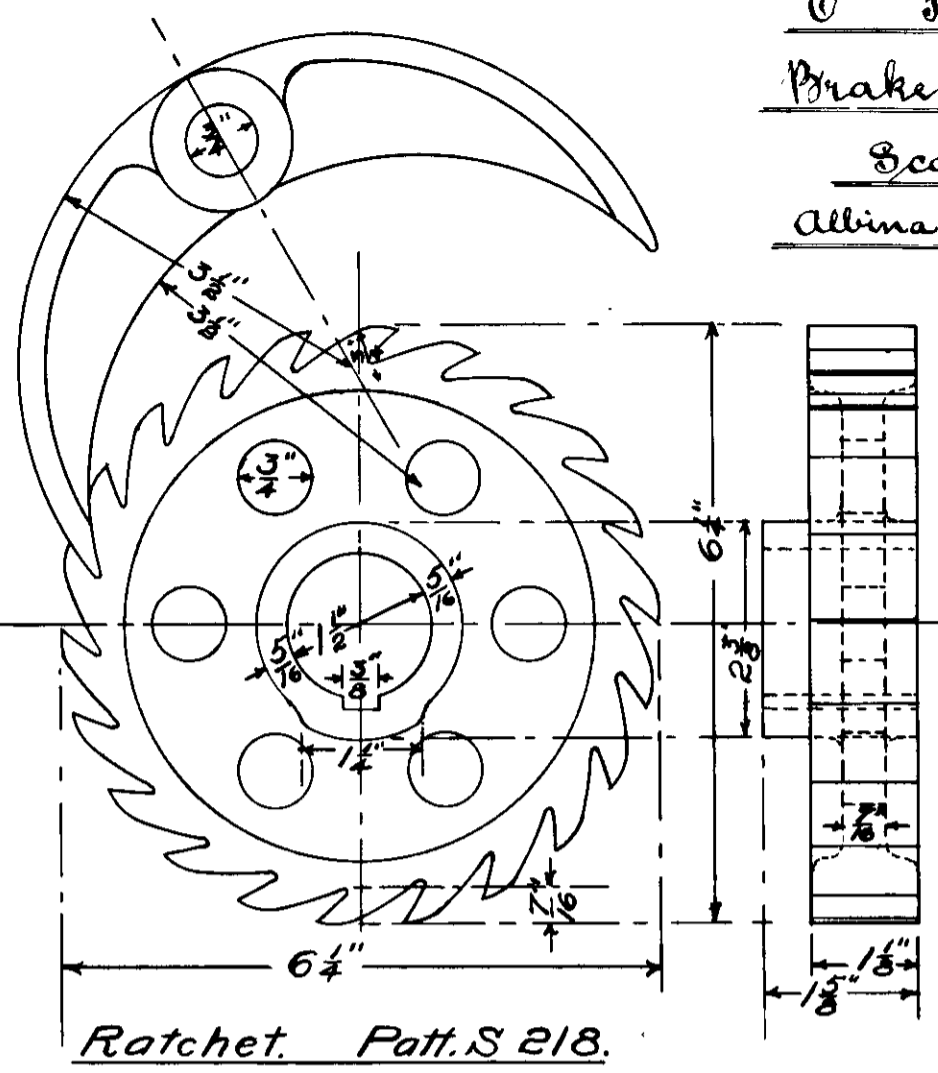
142x172

O R & N Co
Brake Shaft Step.
Scale 3 = 1 ft
Albina, Oregon July 1900.

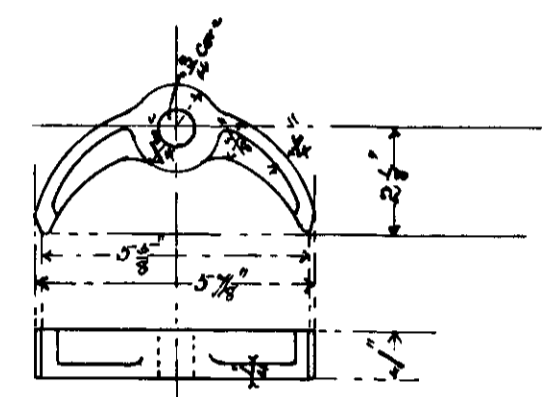


Part No S. 217

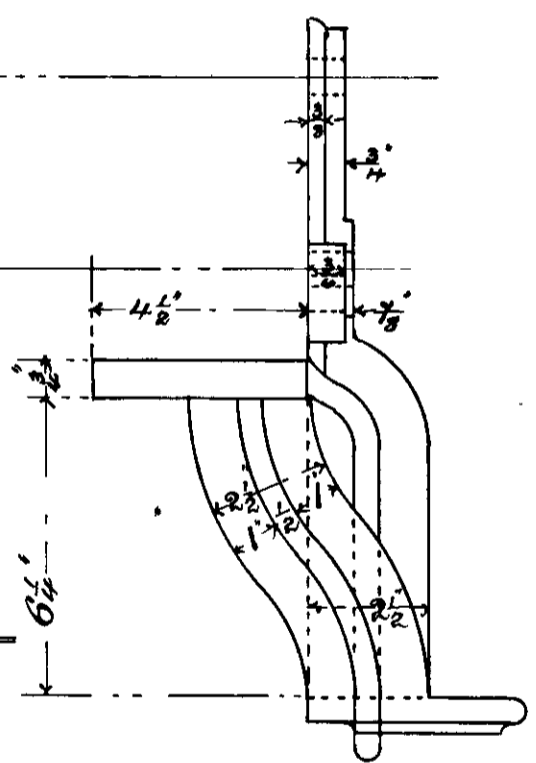
Part No S. 216.



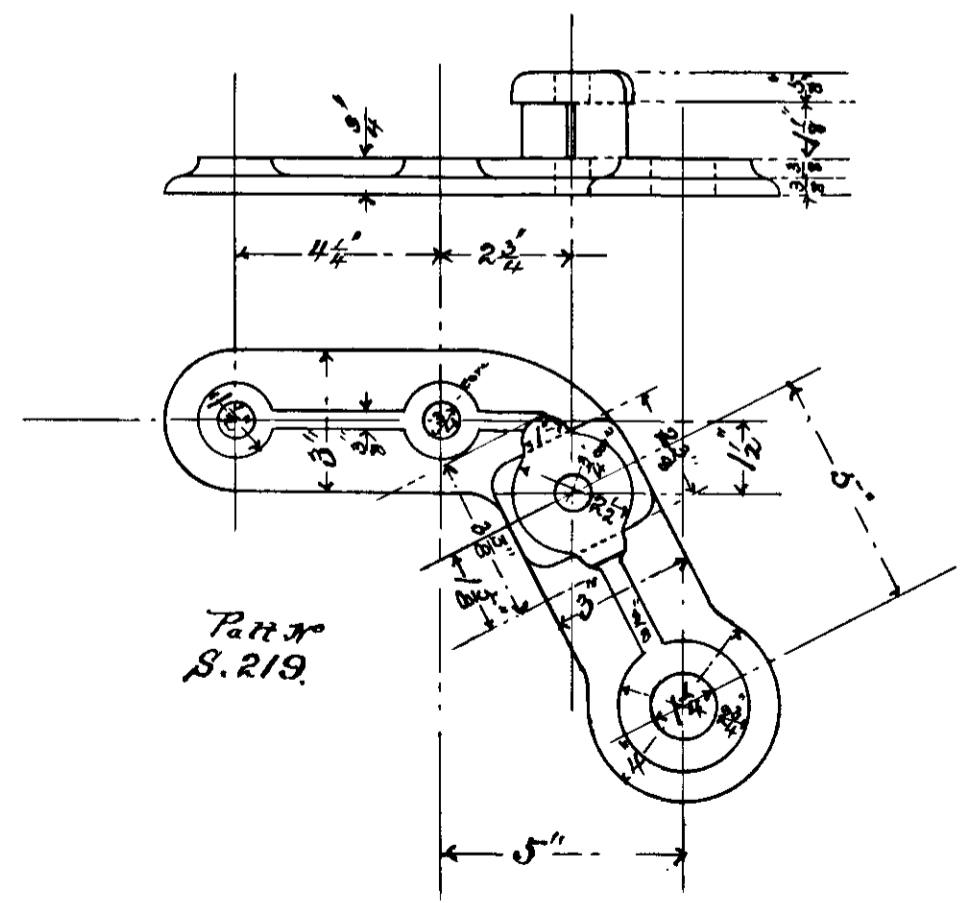
Ratchet. Patt. S 218.



Pawl. Patt. S 220.



Section at A.A.



Part No S. 219.



S. 819
G. 307.