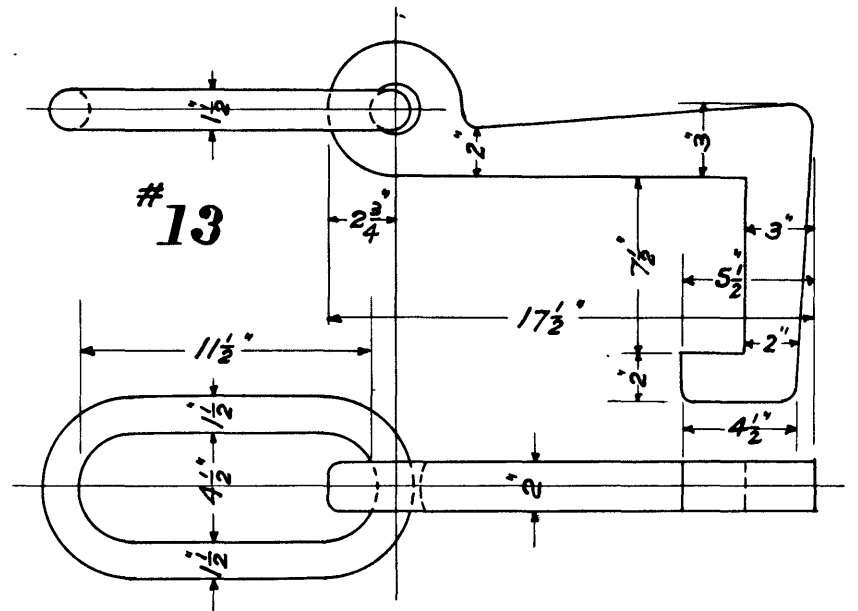
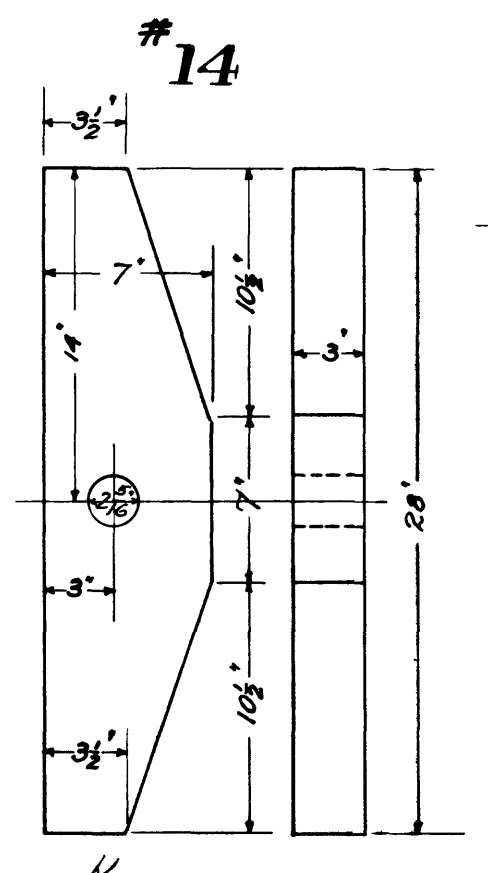
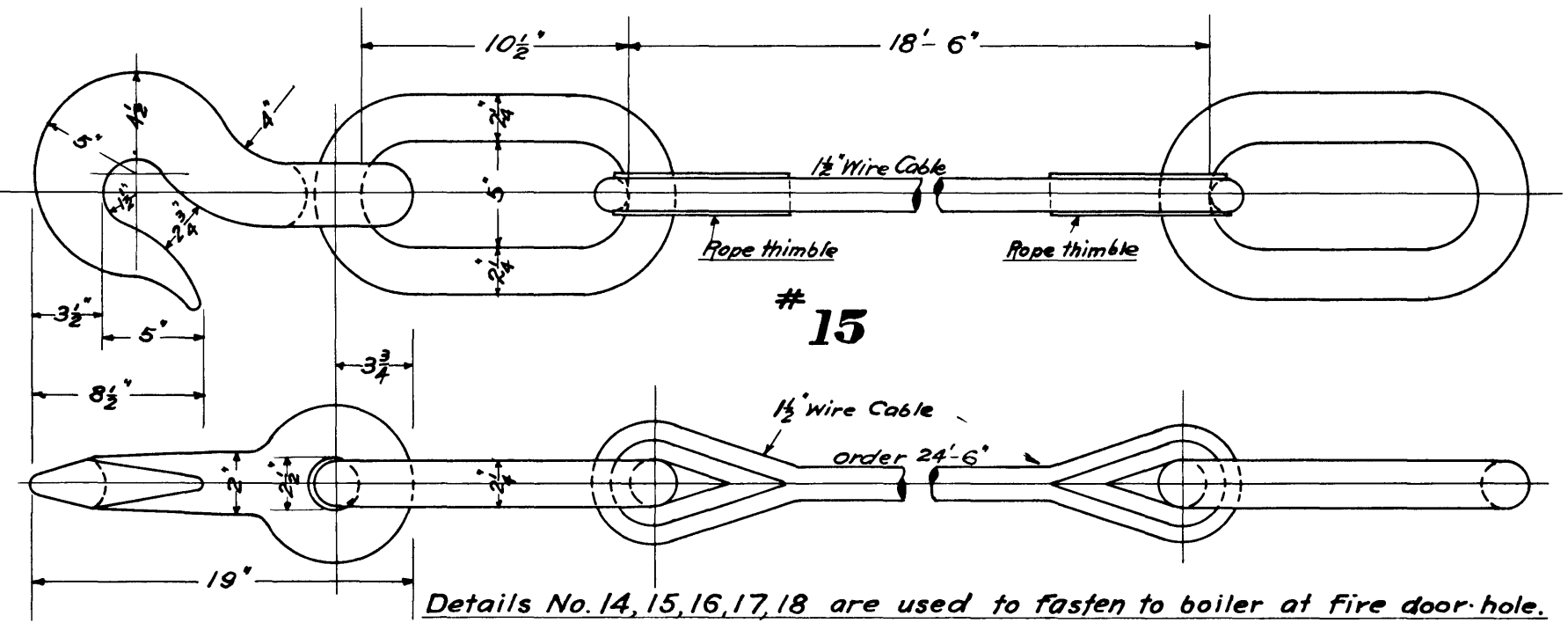
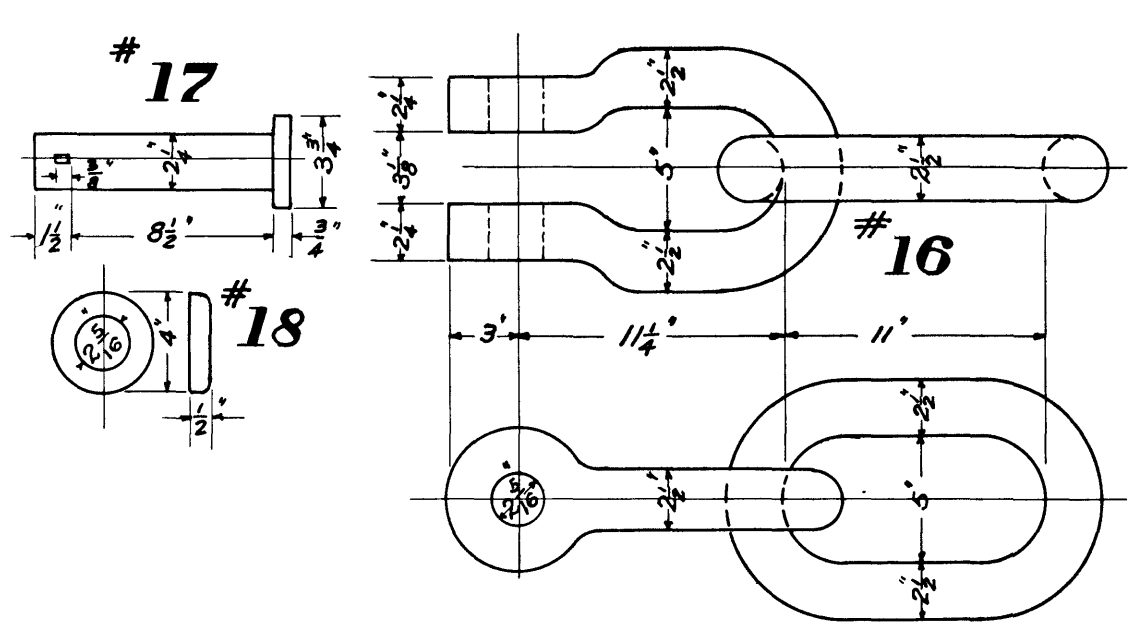
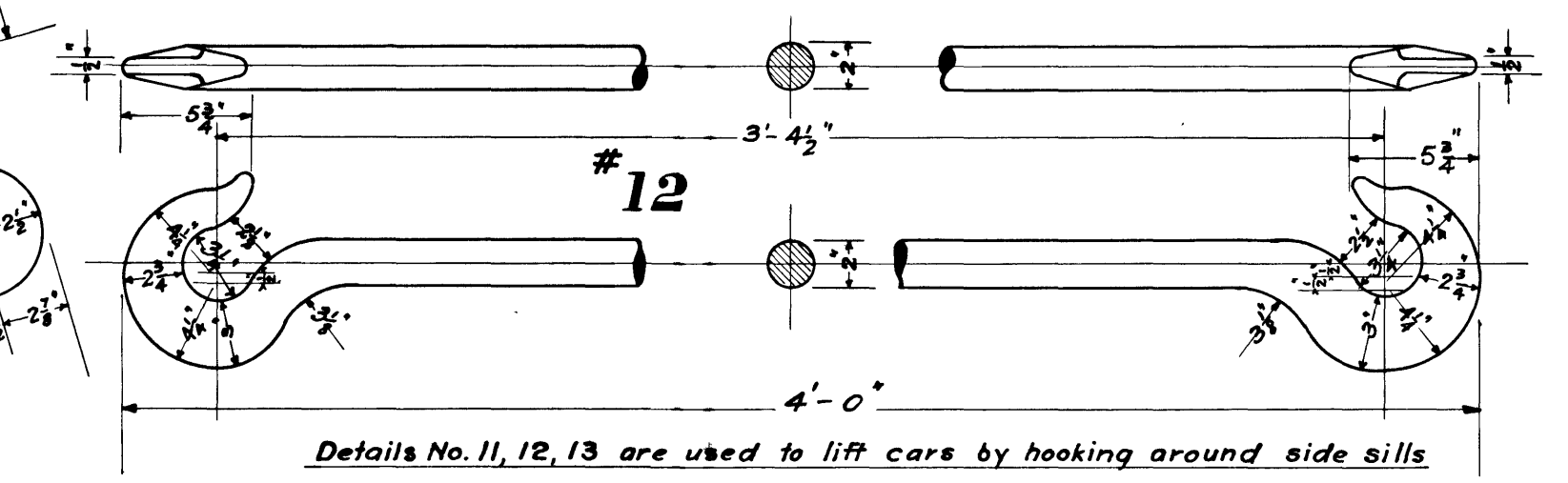
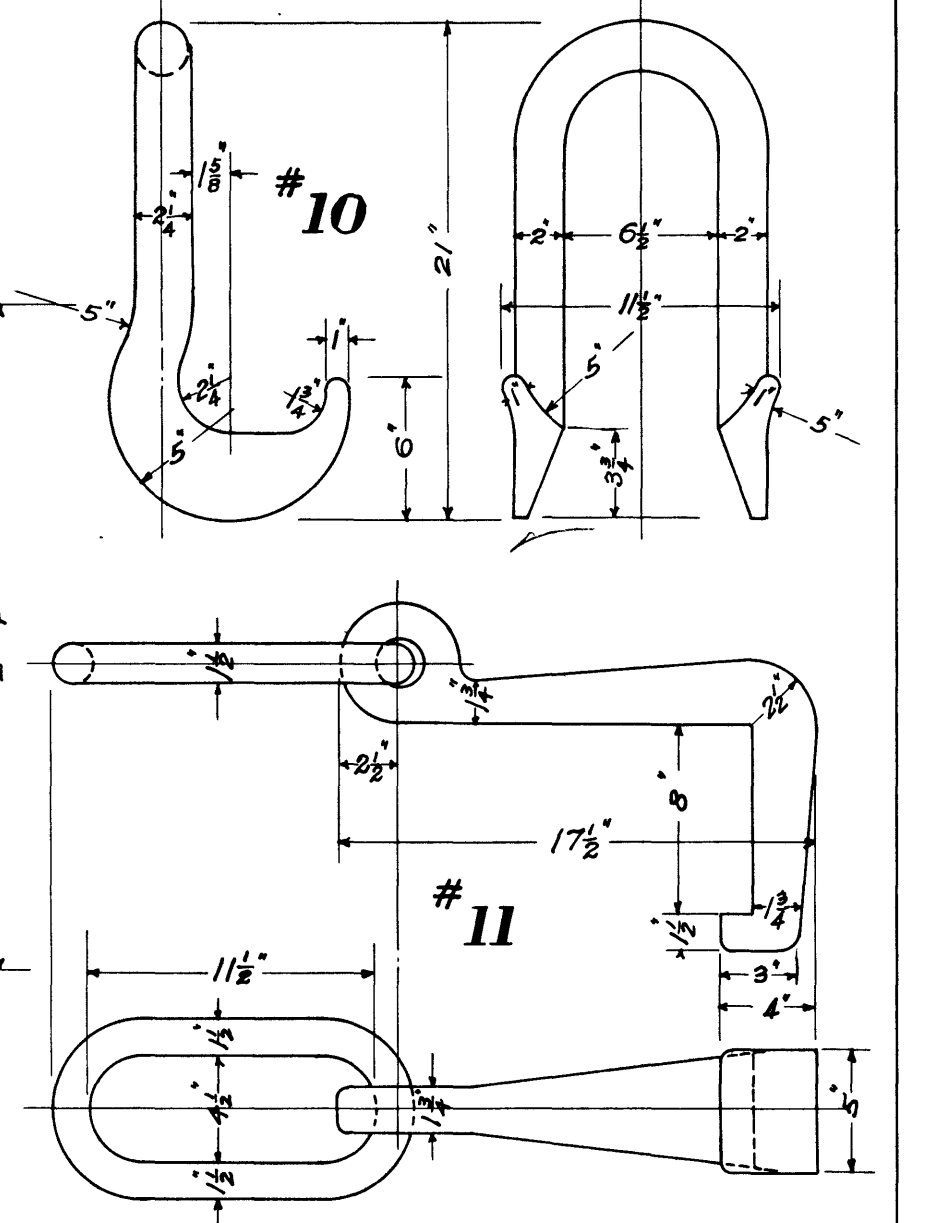


Details No. 10, (and 20, 21 - sht. K2415) used to fasten under metal cars at bolster.



Wrecking Tools
 For 60ton Wrecking Crane.

The Oregon Railroad & Navigation Co.
 Motive Power & Car Department

Albina Shops — Portland Oregon.
 February 17th, 1904.

K
 2414

