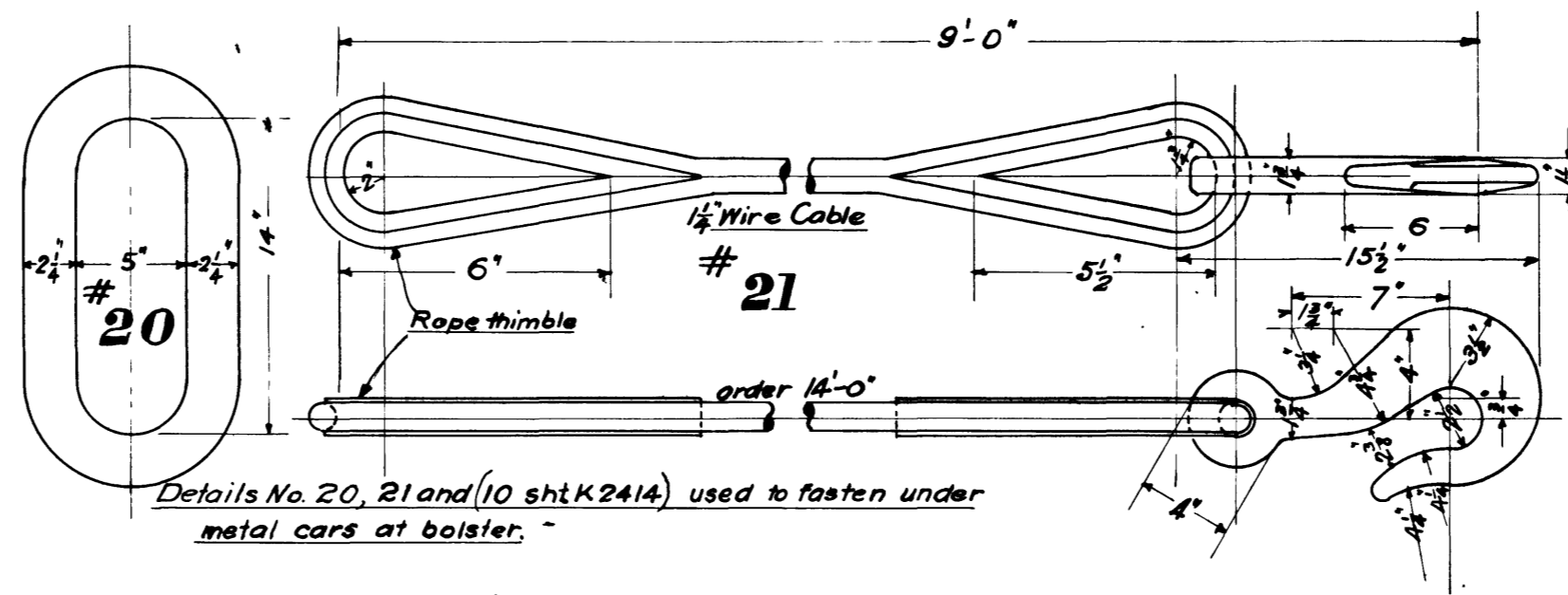
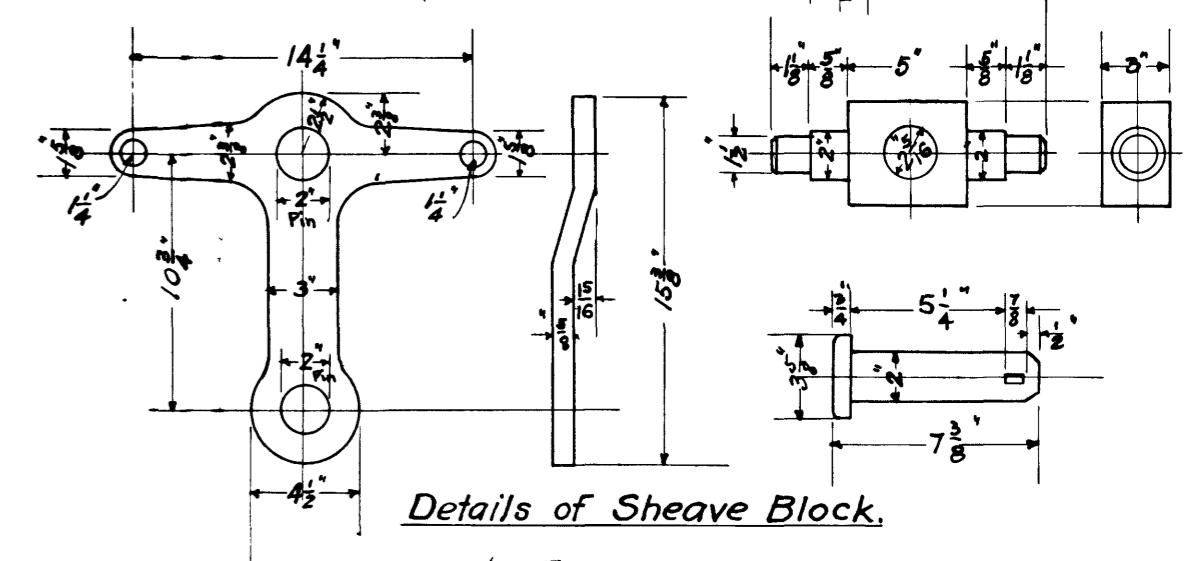
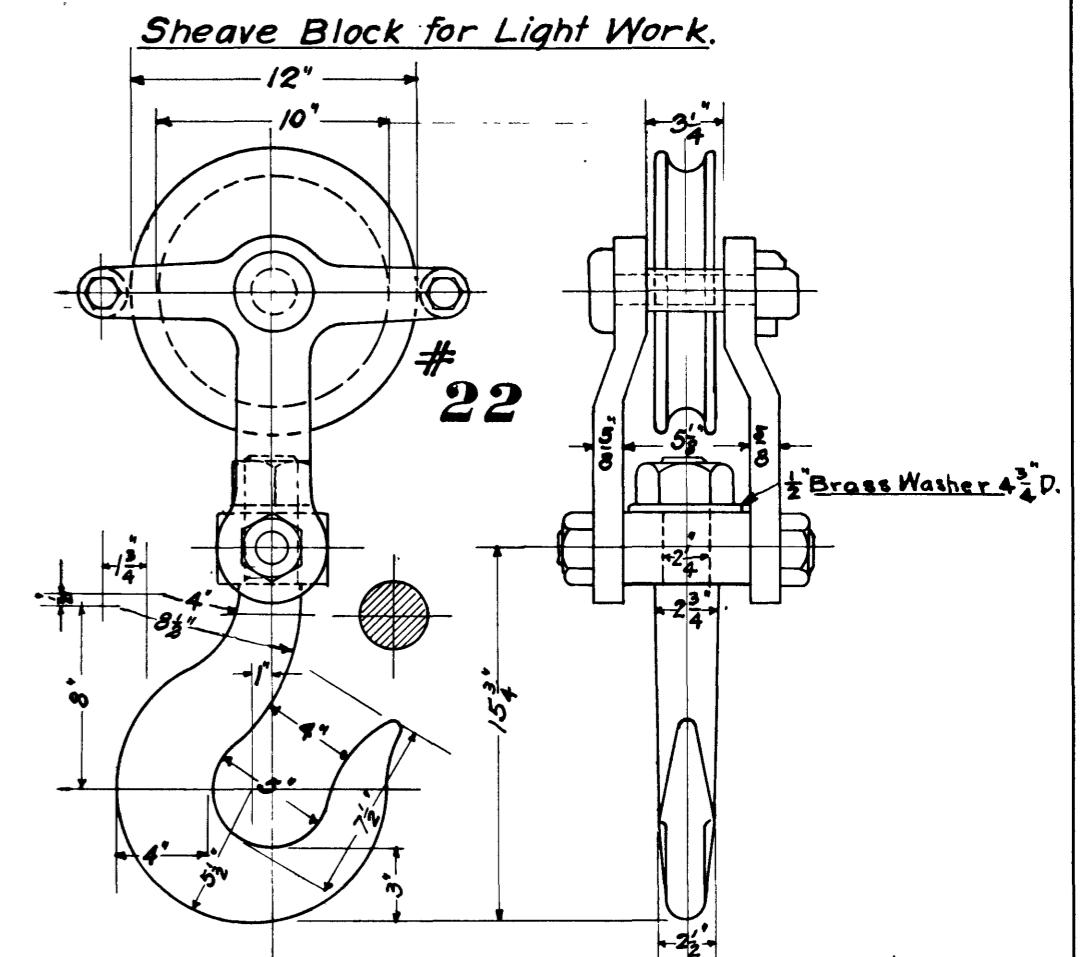


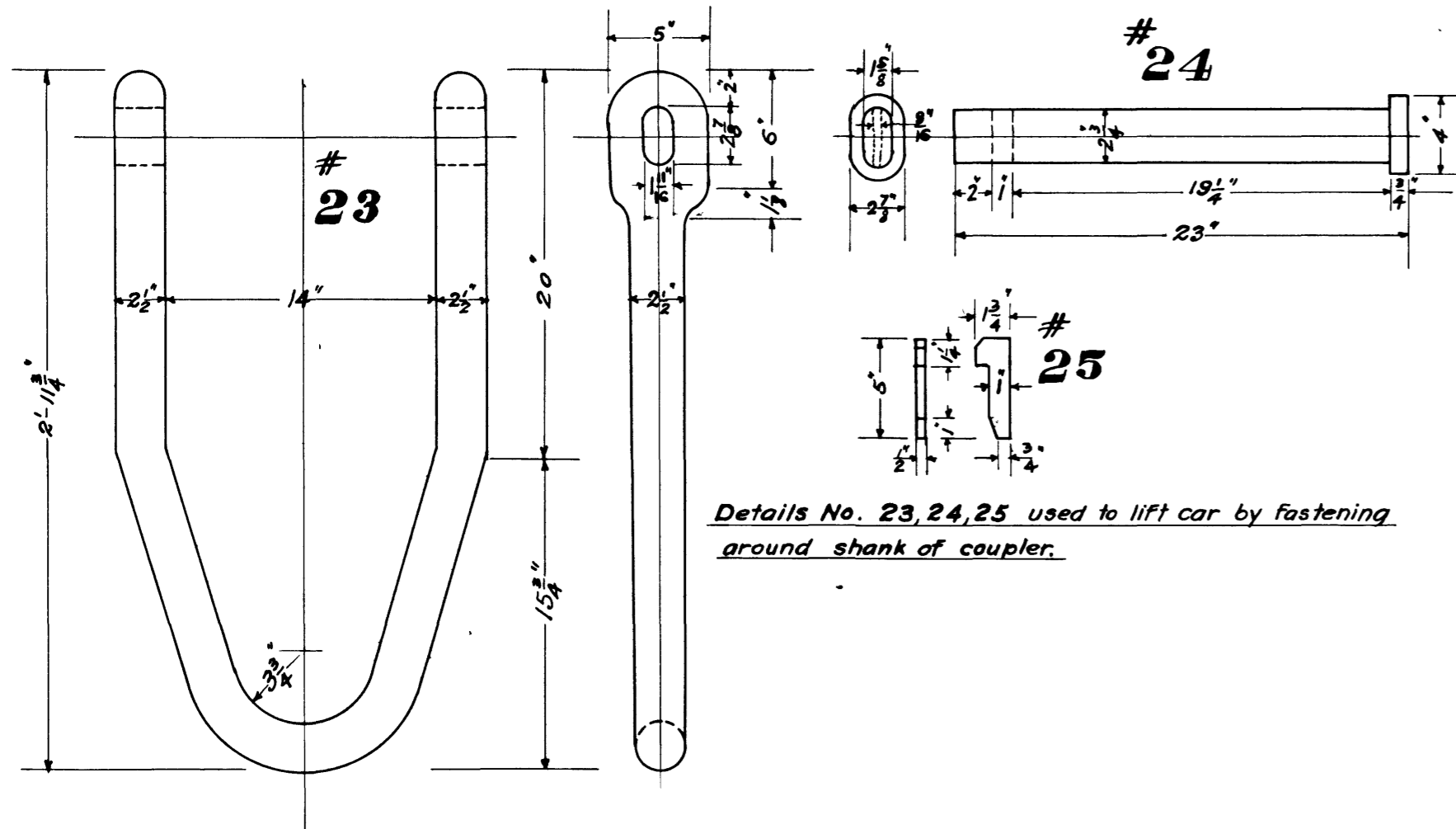
Detail No. 19 is used as a sling under bolster.



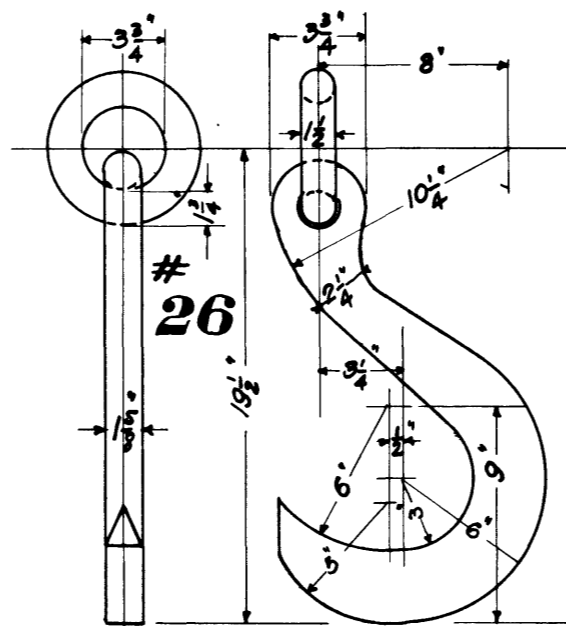
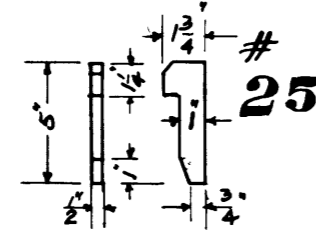
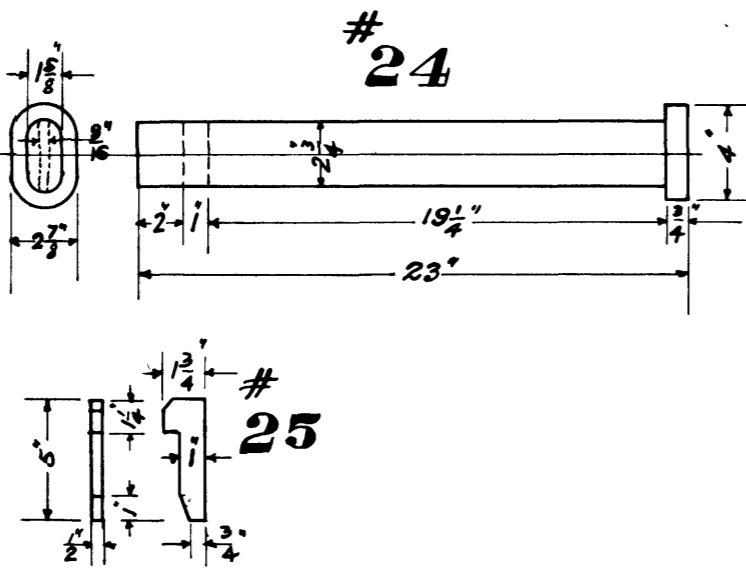
Details No. 20, 21 and (10 sh t K 2414) used to fasten under metal cars at bolster.



Details of Sheave Block.



Details No. 23, 24, 25 used to lift car by fastening around shank of coupler.



Detail No. 26 in connection with cable is used for dragging rock.

Wrecking Tools  
For 60ton Wrecking Crane.

The Oregon Railroad & Navigation Co.  
Motive Power & Car Department

Albina Shop — Portland  
Oregon.

February 18th, 1904.

K  
2415

