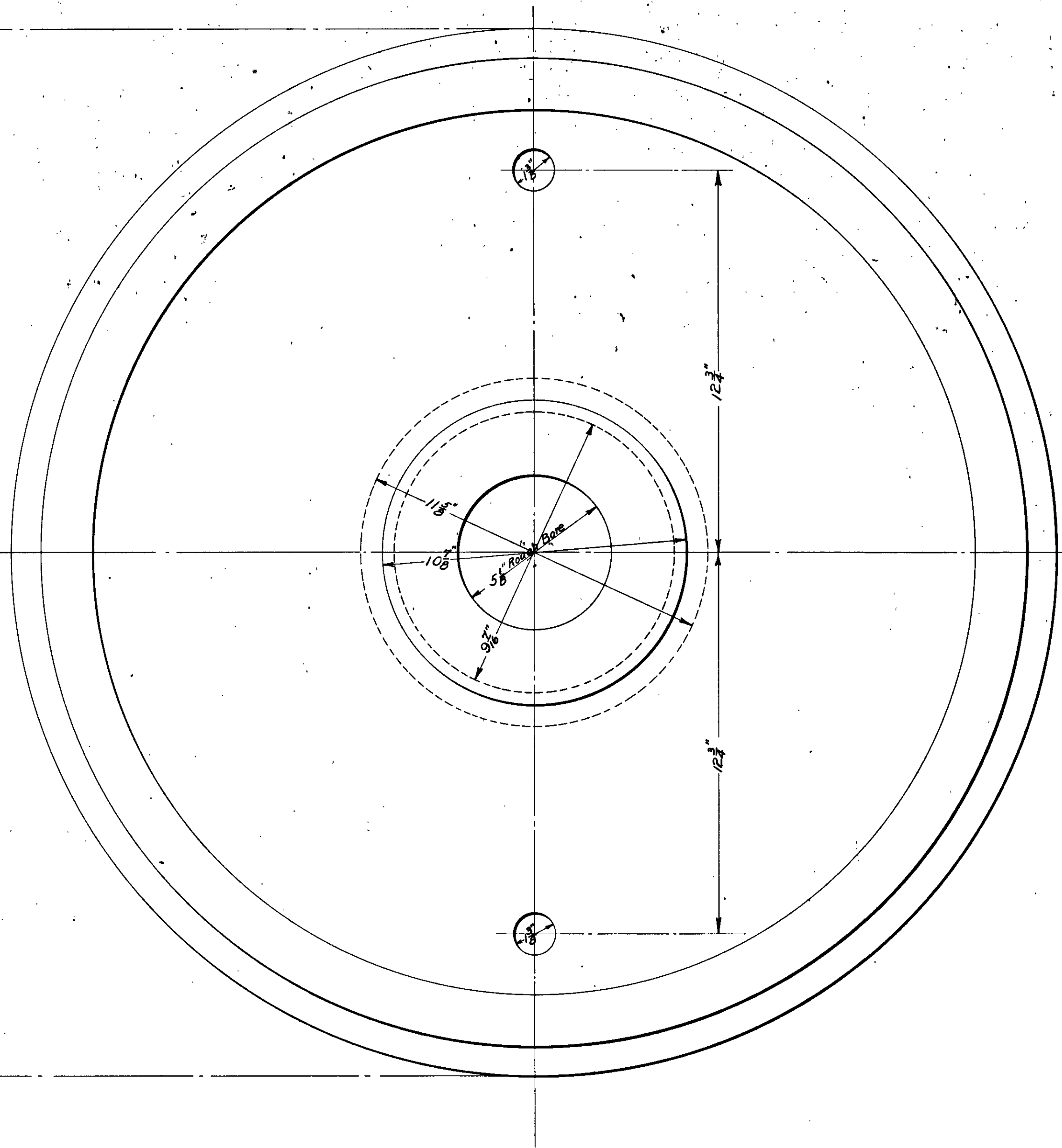
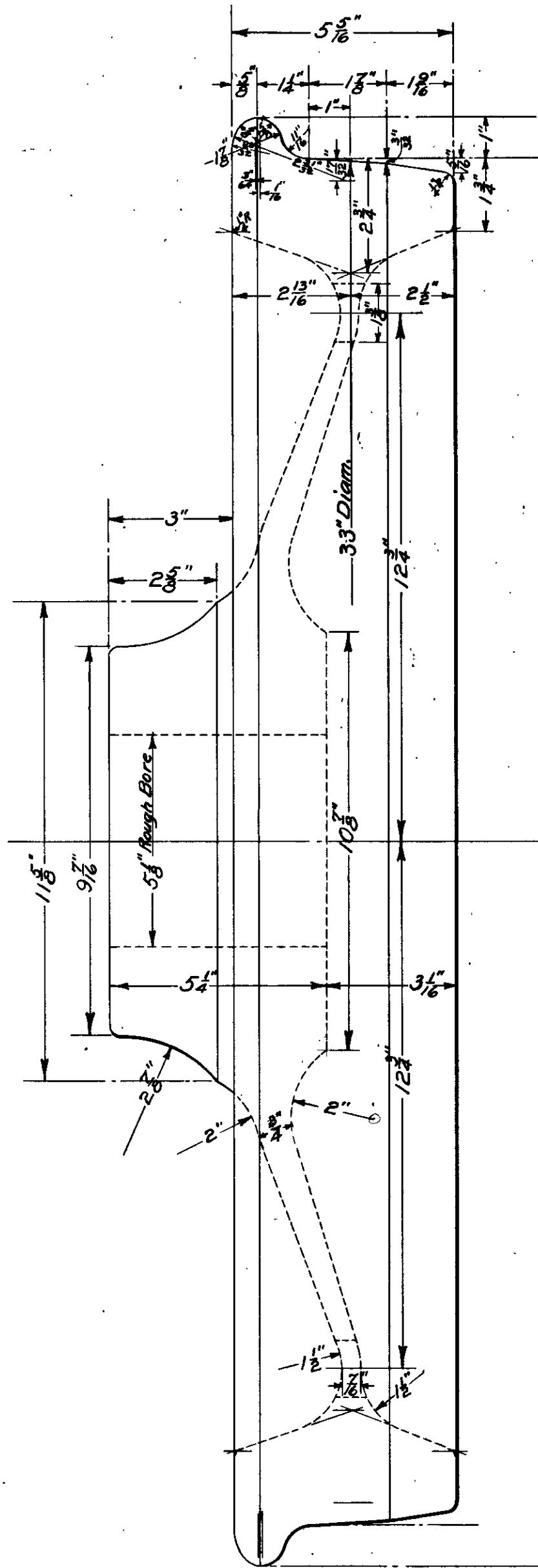


33" Rolled Steel Wheel.
For M^oKeen Gasolene Motor Cars.



*Inspected by D. 4449
 11.11.1913.*

**THE OREGON-WASHINGTON RAILROAD
 AND NAVIGATION CO.,
 AND
 SOUTHERN PACIFIC CO.-LINES IN OREGON.
 MOTIVE POWER AND CAR DEPARTMENT.**
 APPROVED:—
 ASS'T GENERAL MANAGER,
 PORTLAND, OREGON.
 AUGUST 22ND 1911.

D	4122
---	------