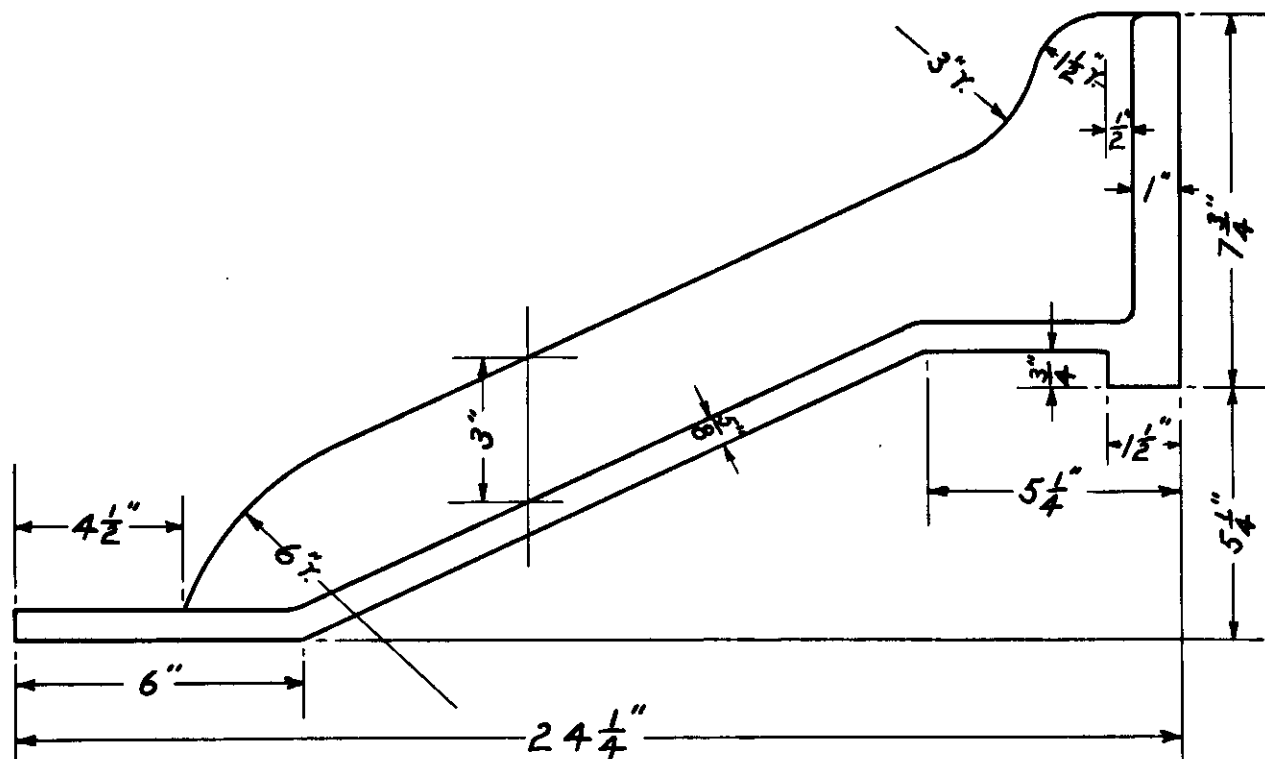


TRUCK BOLSTER CHAFING IRON
for
GASOLINE MOTOR CARS

Patt. # U 19



TRUCK BOLSTER BRACE for GASOLINE MOTOR CARS

Patt. # U 18



D 5503

Revised	

FEB. 29, 1917

ORE-WASH. RAILROAD & NAV. CO., PORTLAND, ORE.