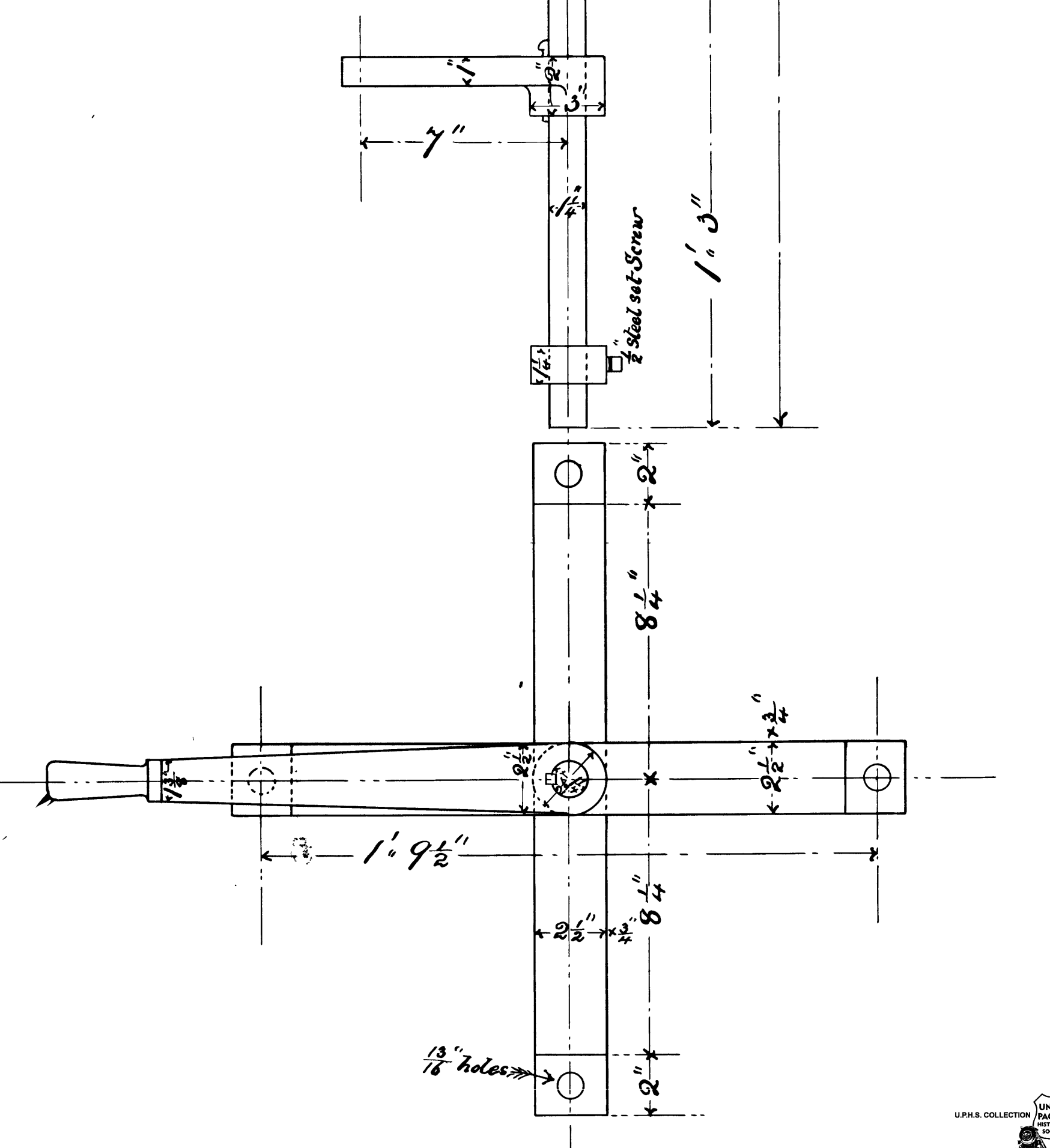
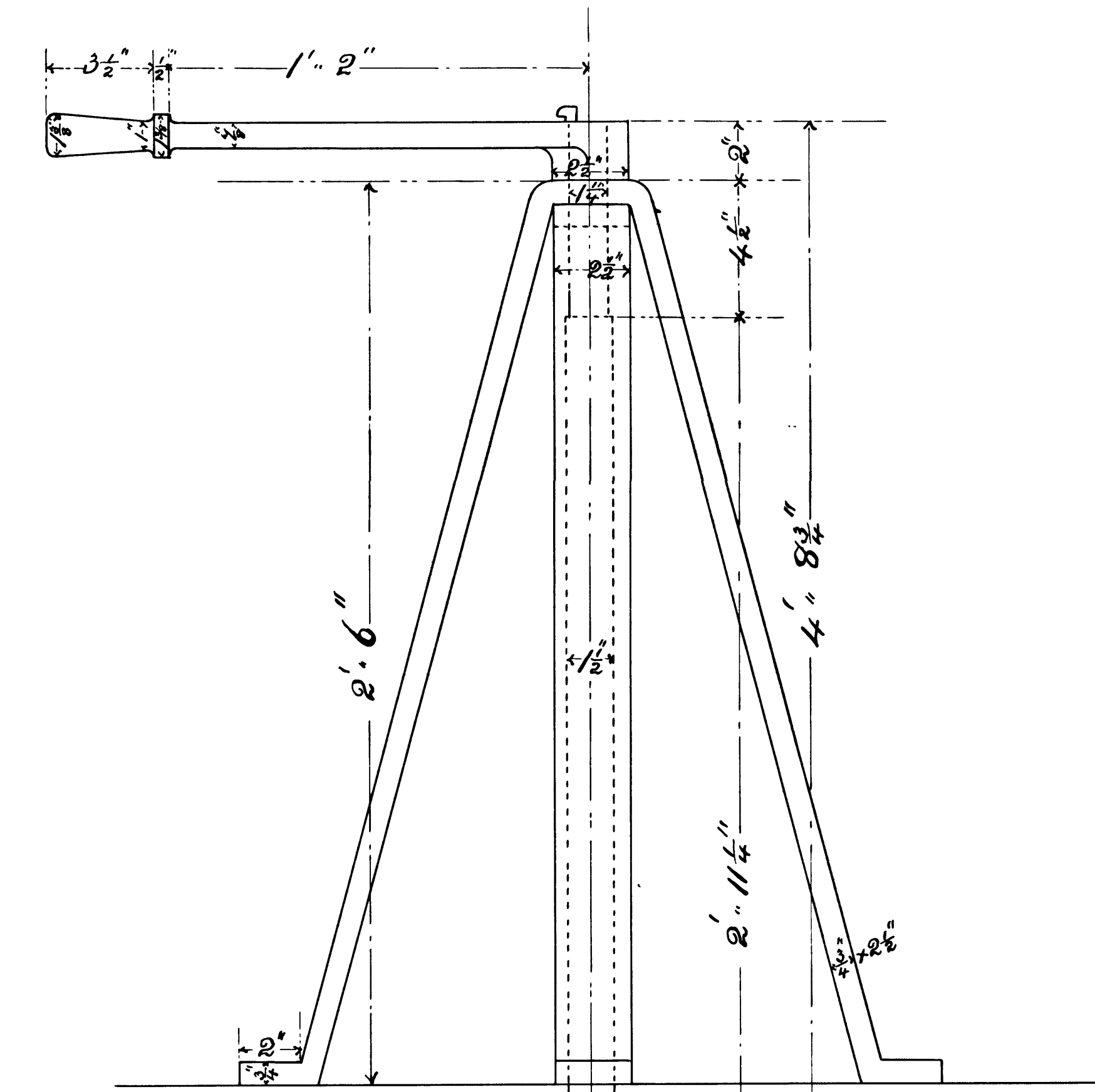
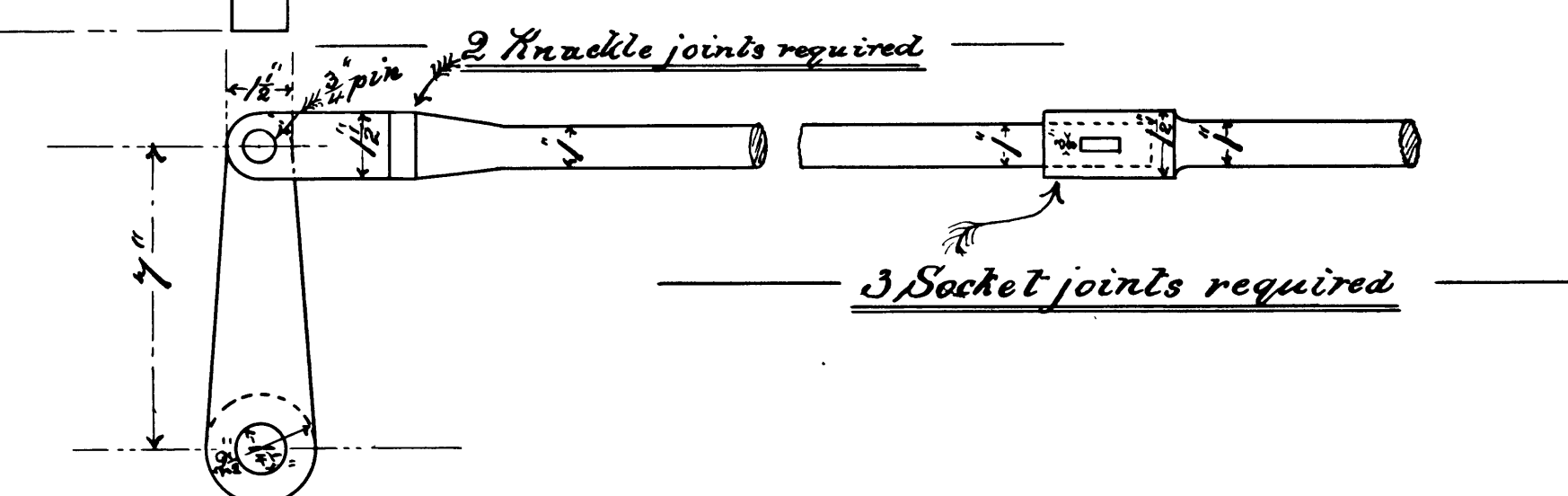


Teeth 1 1/2 pitch, 1 1/2 face.



UNION PACIFIC
 PACIFIC DIVISION
 HYDRAULIC CONTROLLING GEAR
 FOR
 WILLAMETTE STEEL BRIDGE
 Scale 3" = 1 ft.
 ALBINA OREGON.
 OCT 1892.

