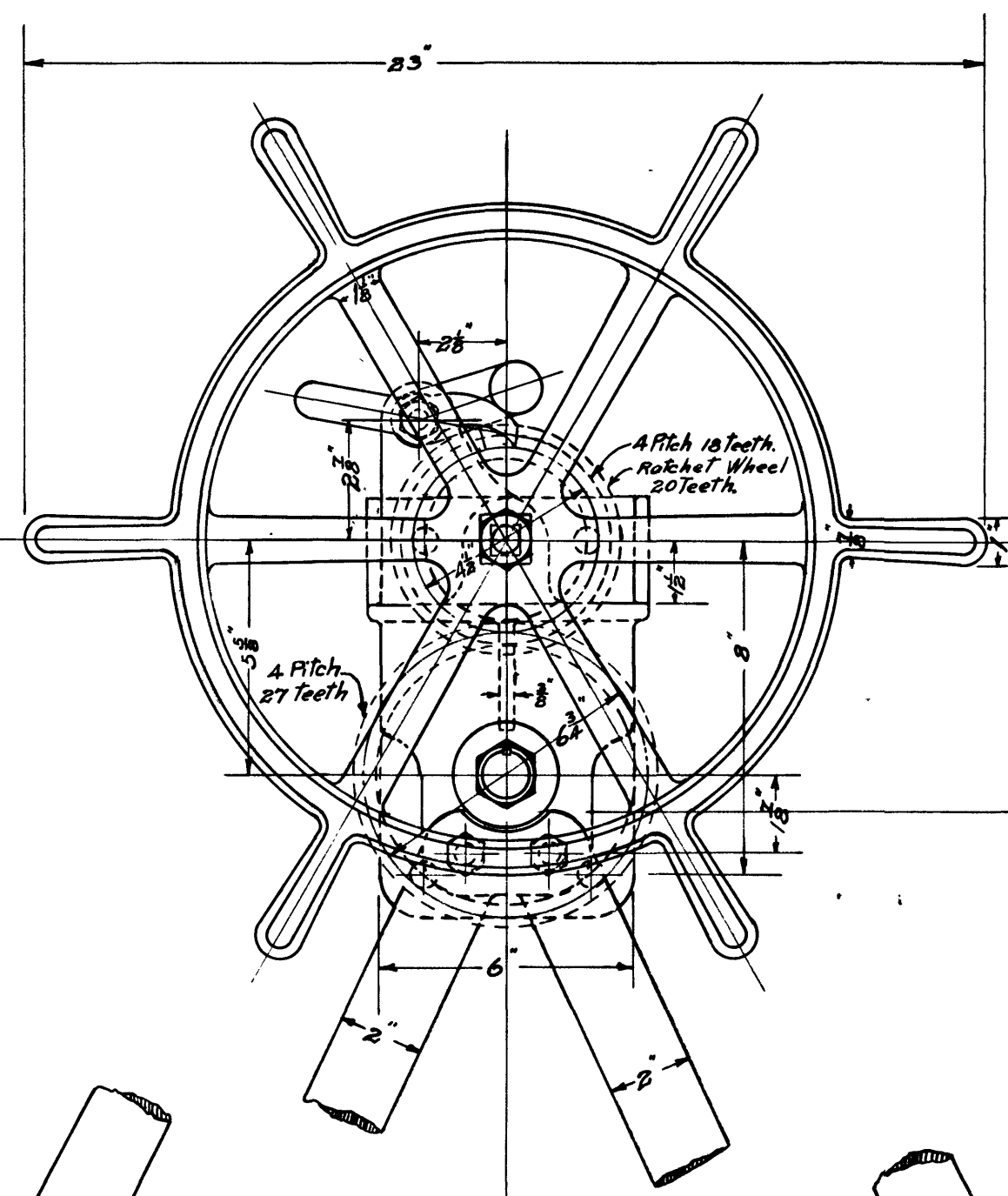
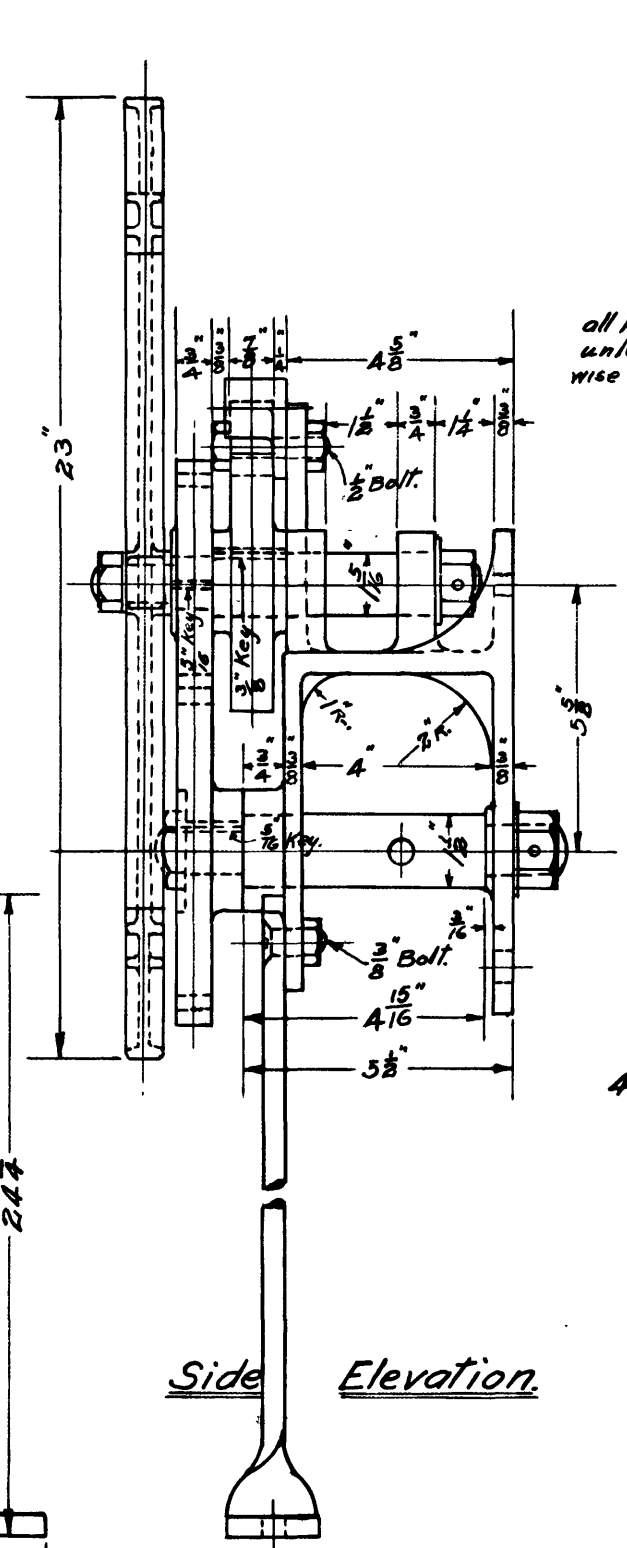


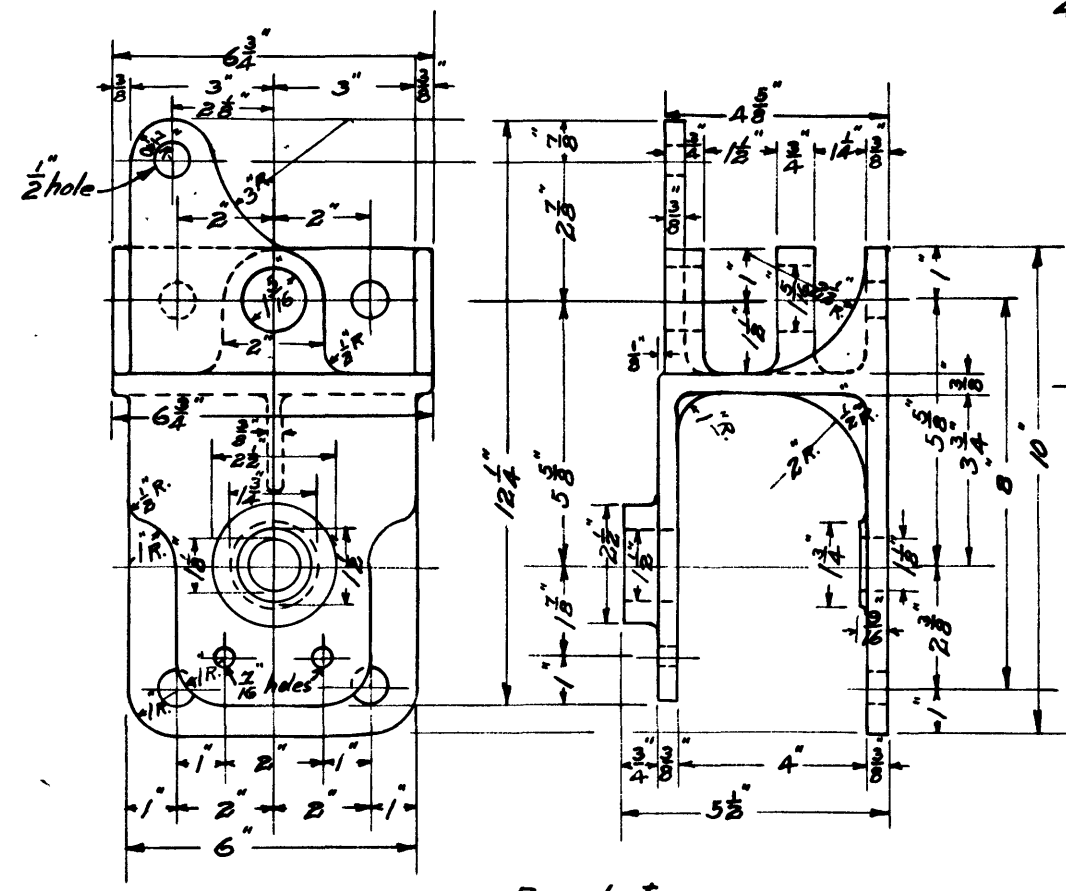
Used on Motor Cars. No. M-79.



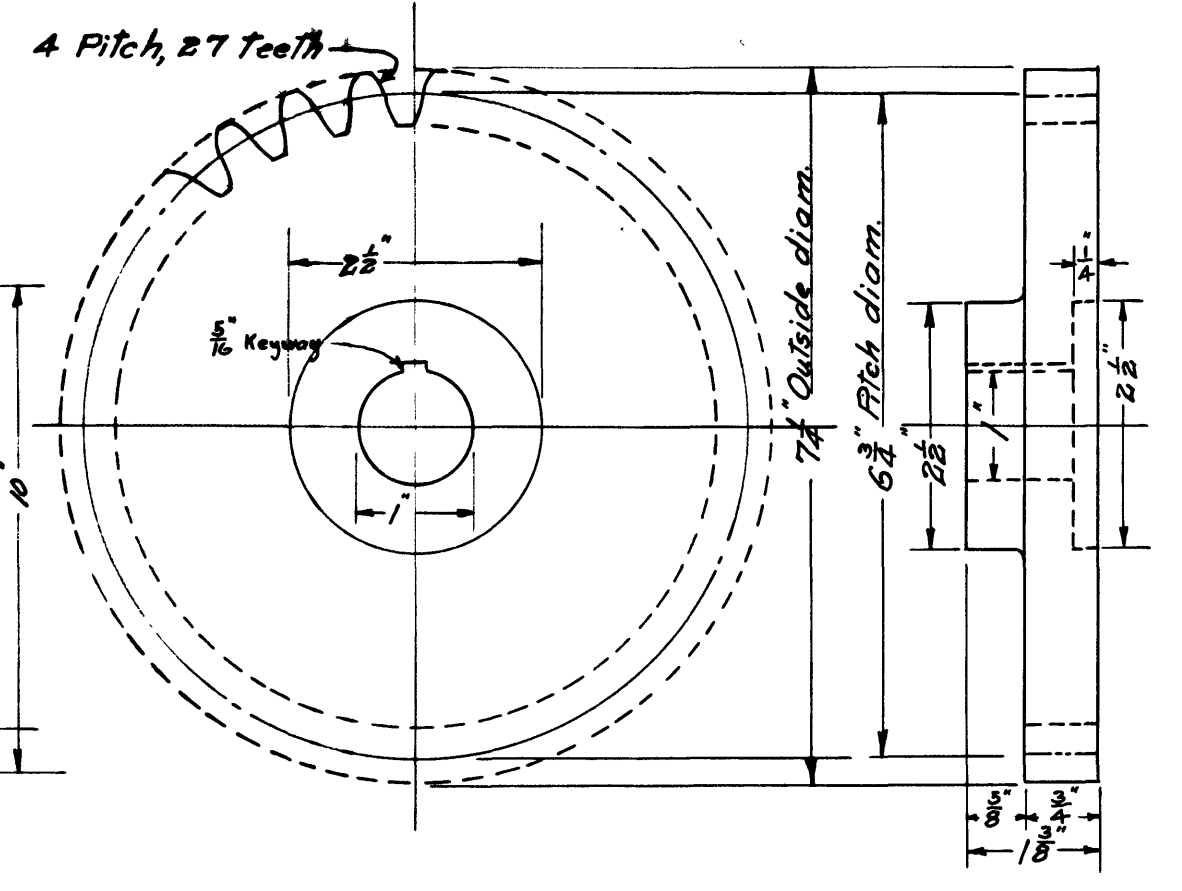
Front Elevation



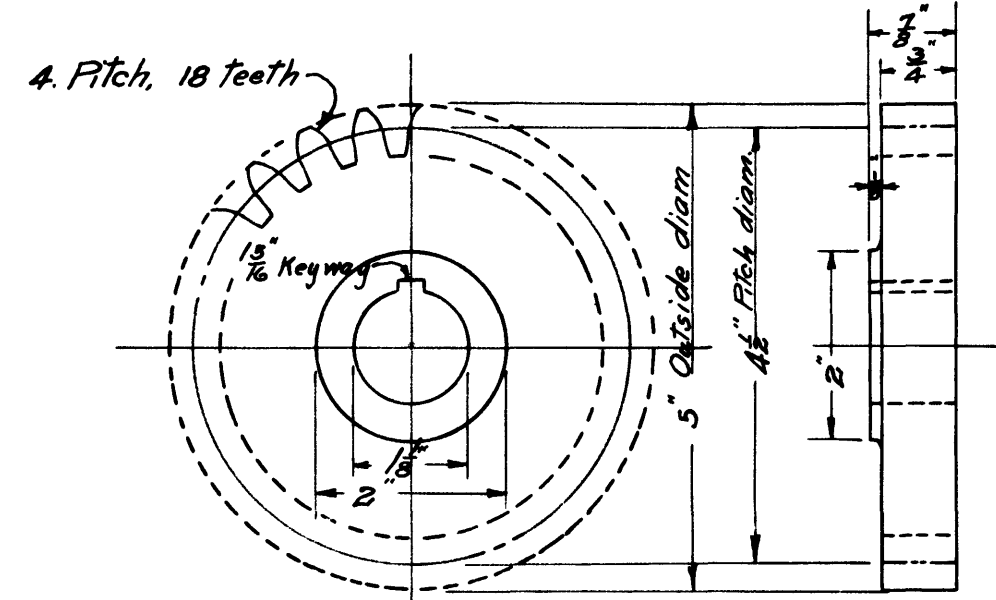
Side Elevation



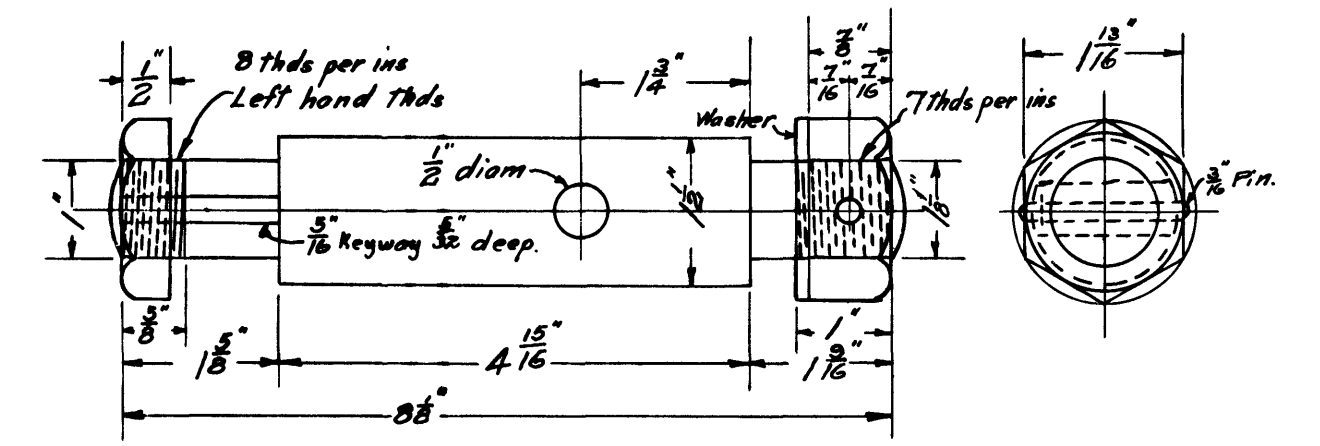
Bracket
1-piece. Steel or Malleable Casting.



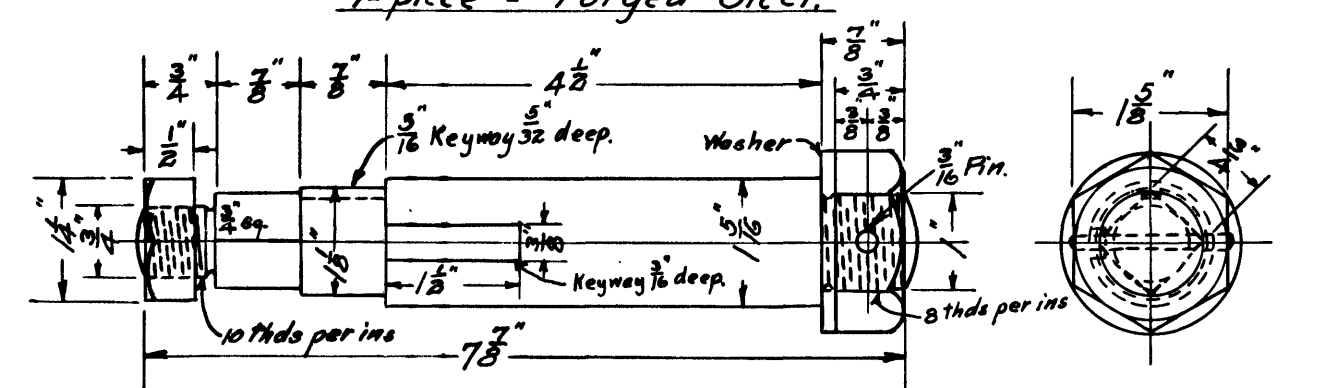
Winding Shaft Gear
1-piece. Forged Steel.



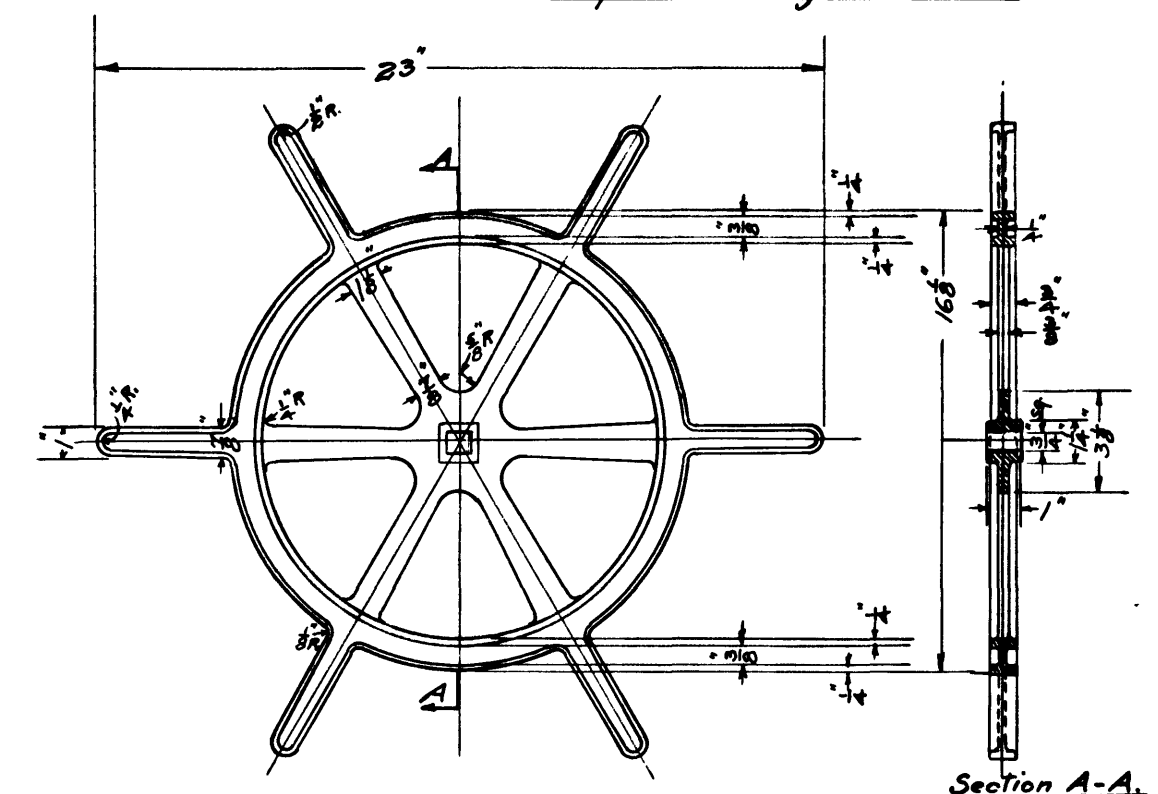
Brake Shaft Pinion
1-piece. Forged Steel.



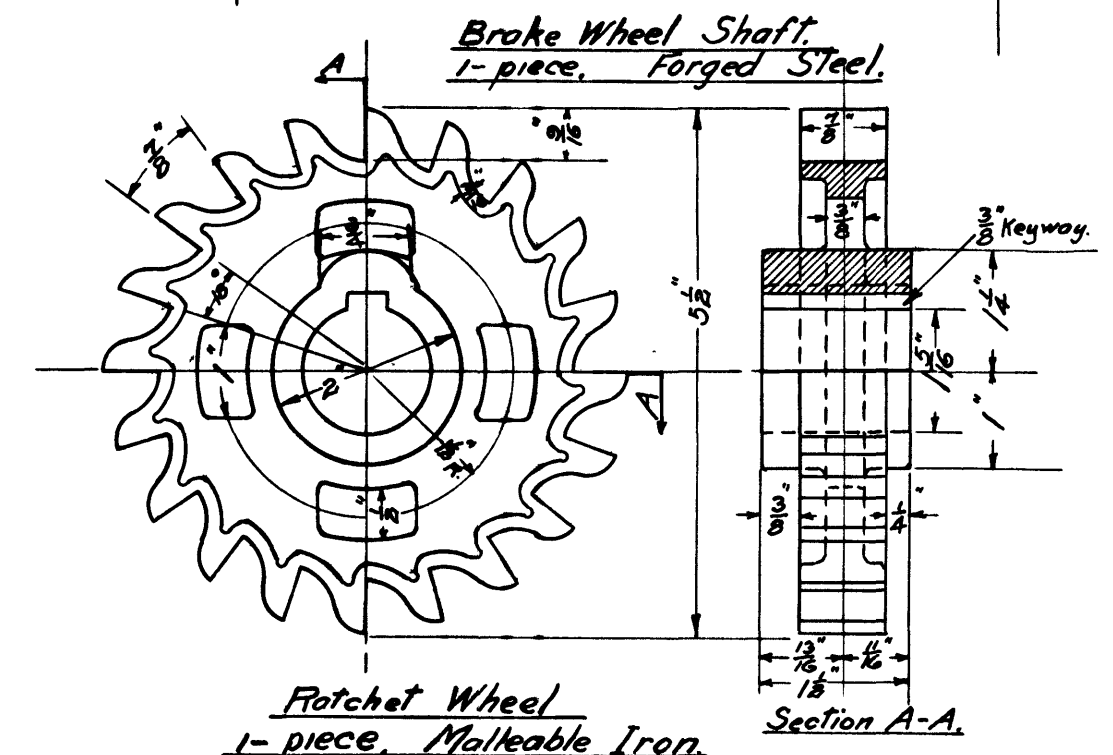
Winding Shaft
1-piece - Forged Steel.



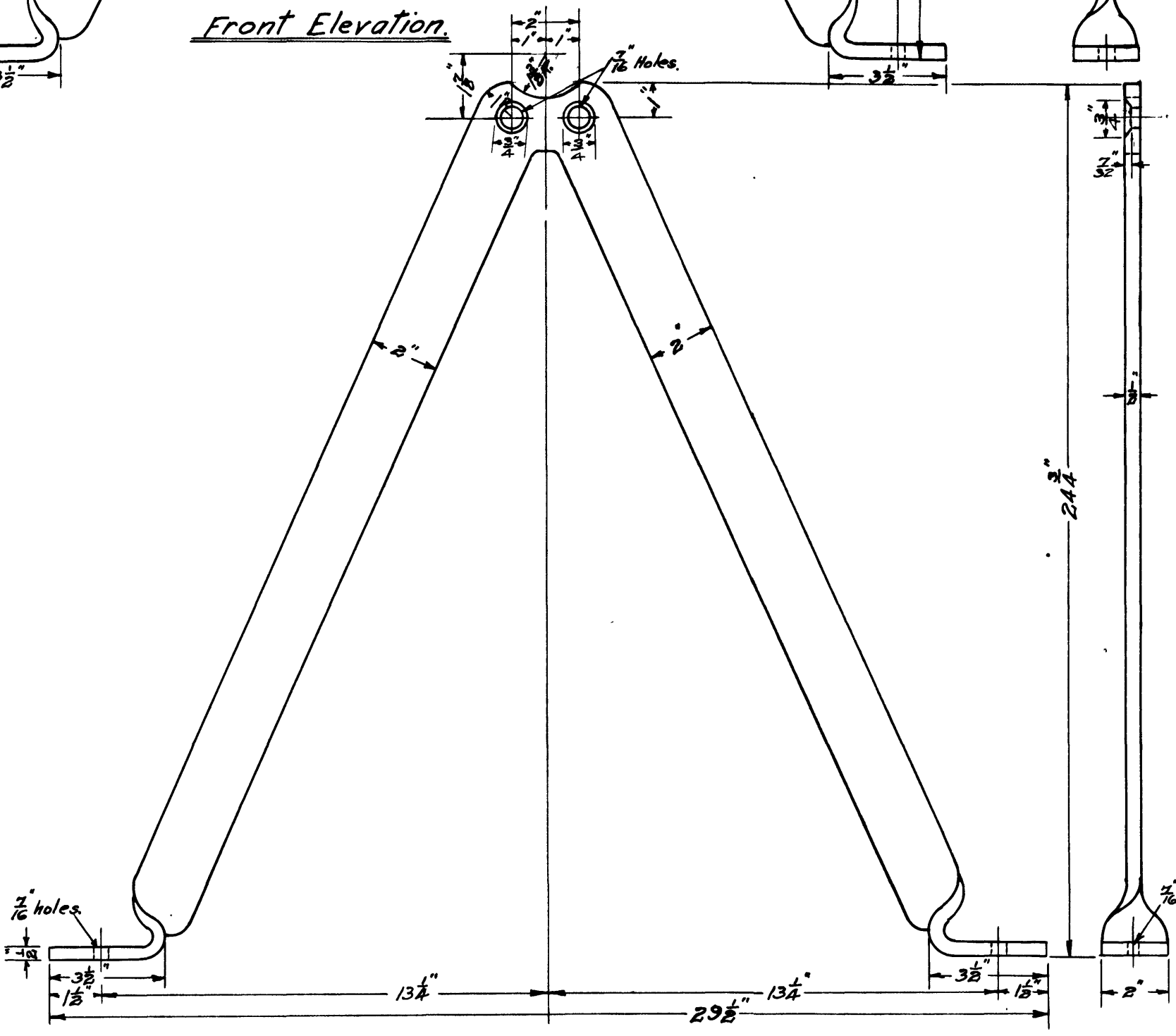
Brake Wheel Shaft
1-piece. Forged Steel.



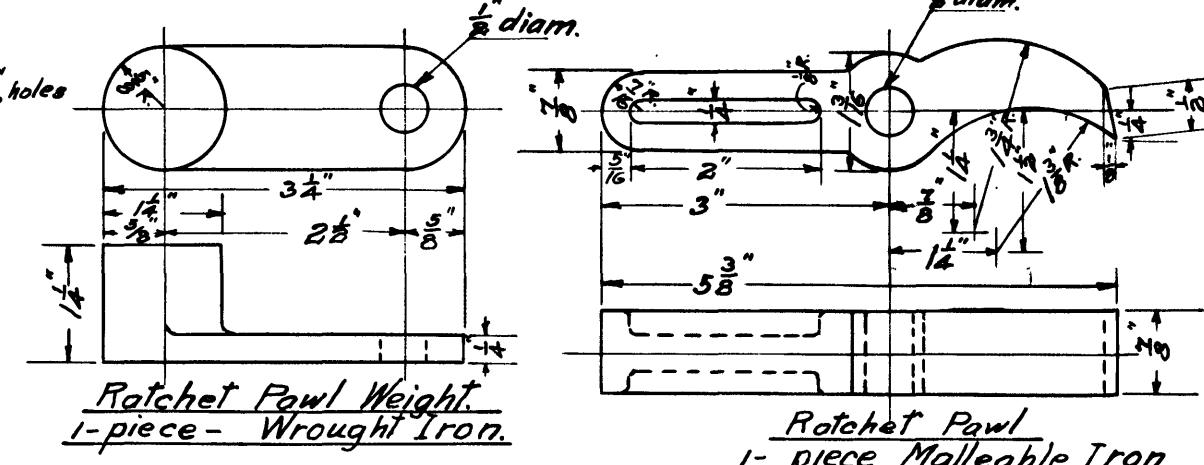
Hand Brake Wheel
1-piece. Malleable Iron.



Ratchet Wheel
1-piece. Malleable Iron.



Bracket Brace
1-piece. Wrought Iron.



Ratchet Pawl Weight
1-piece - Wrought Iron.

Ratchet Pawl
1-piece. Malleable Iron.

**MOTOR CAR HAND BRAKE
& DETAILS.**

Portland, Ore. Aug. 22, 1917.

Ore. Wash. Railroad & Nav. Co.



D-5624
Revised.