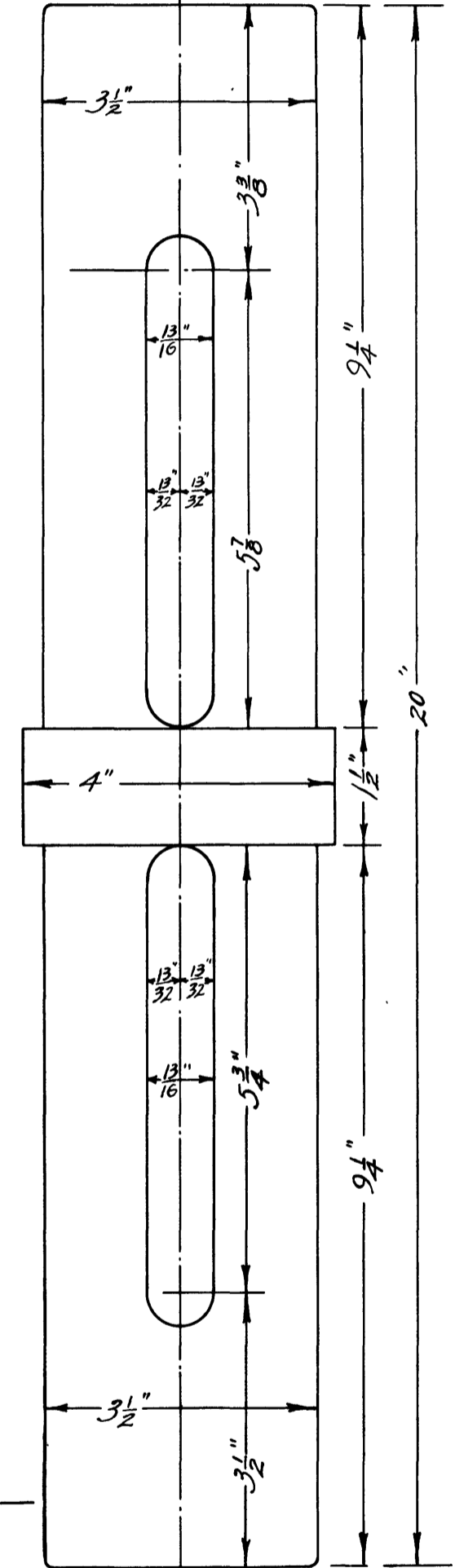
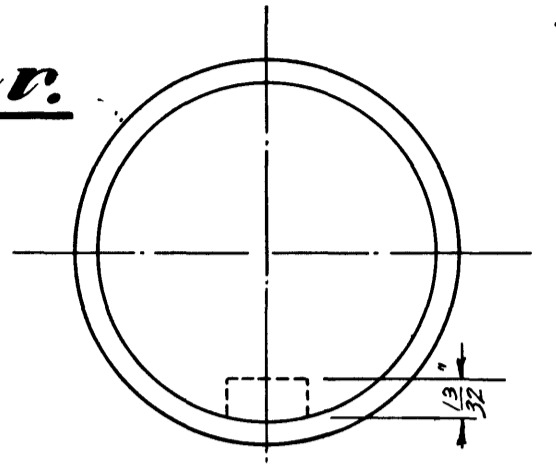
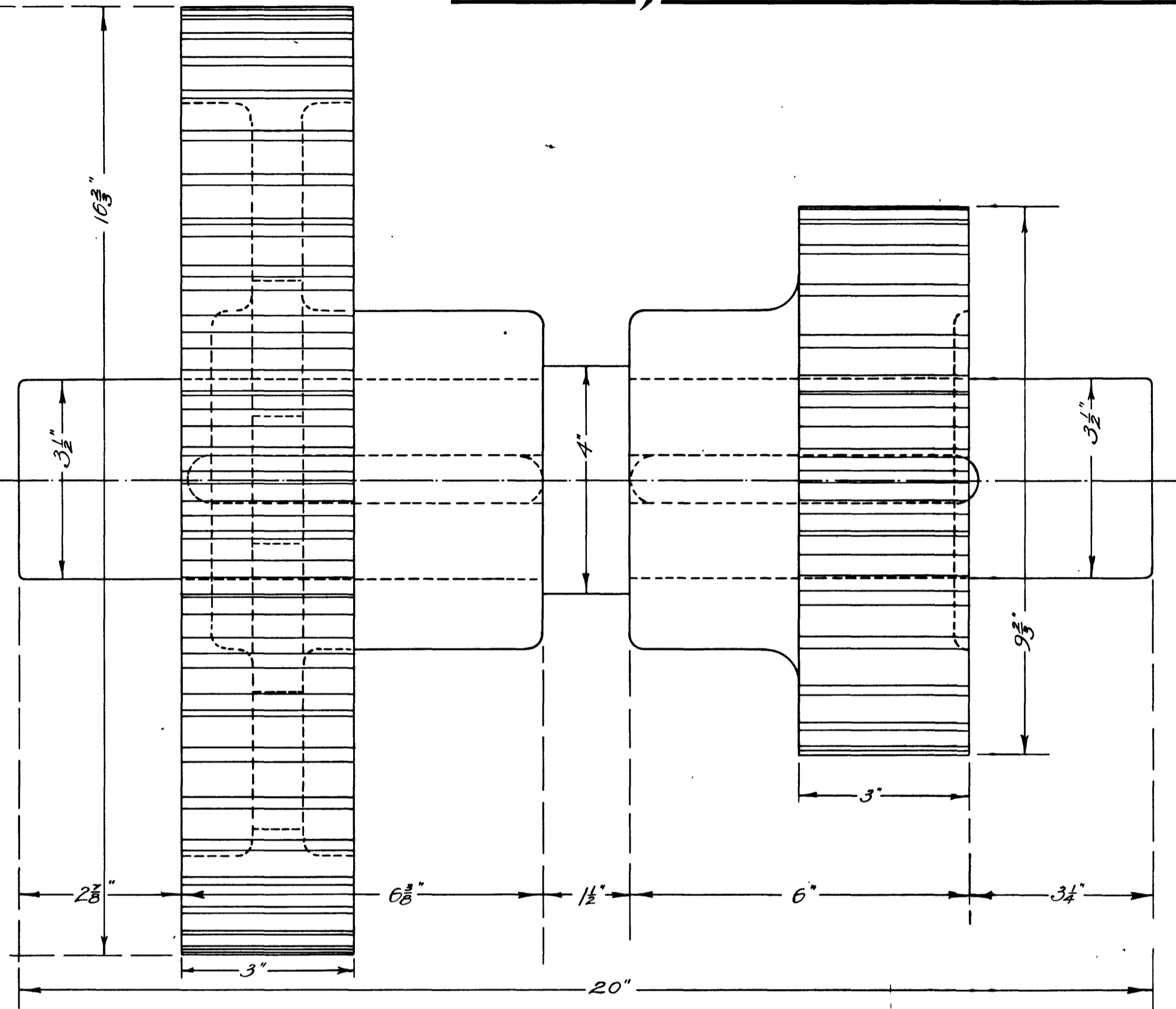
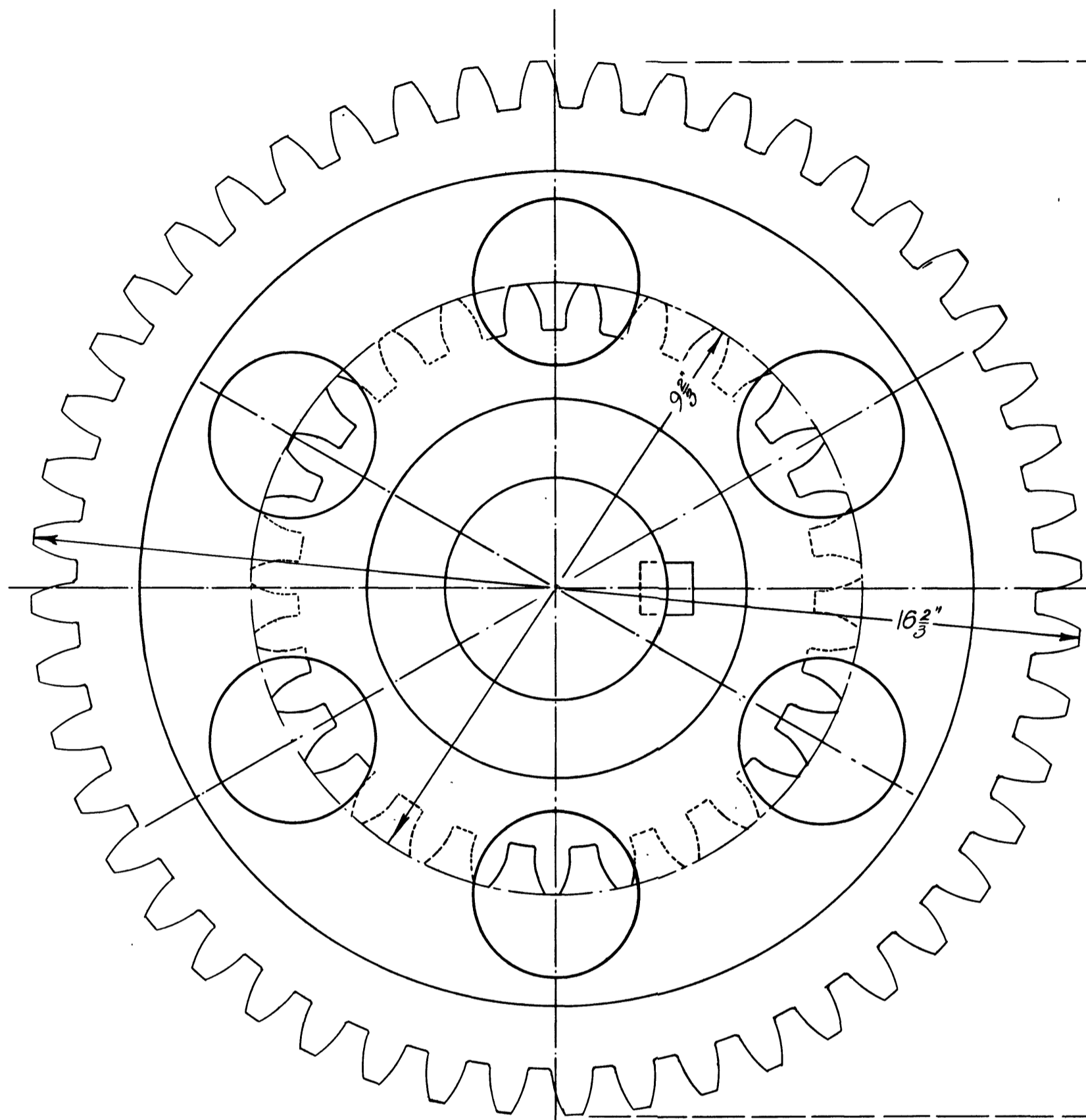
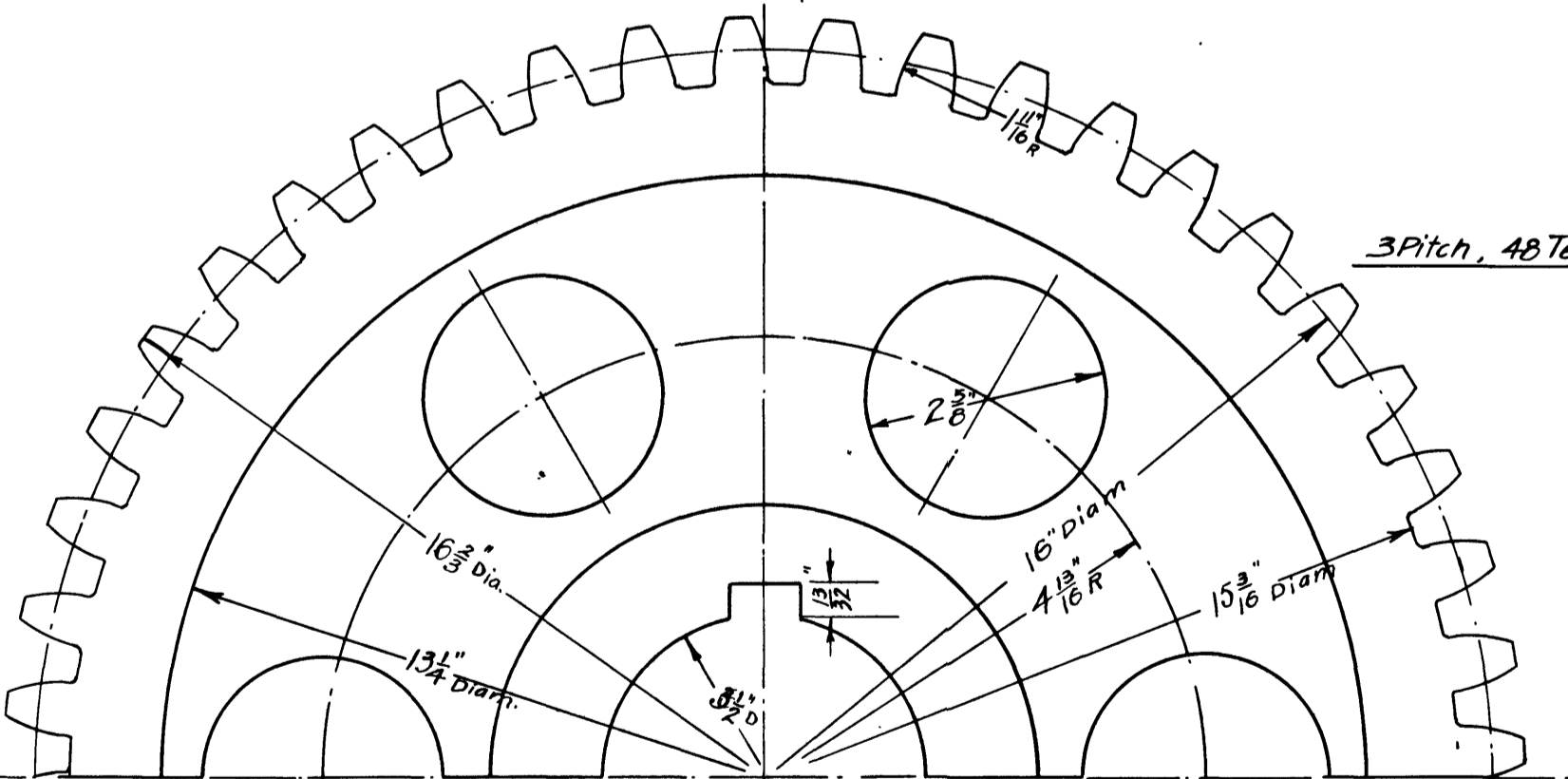


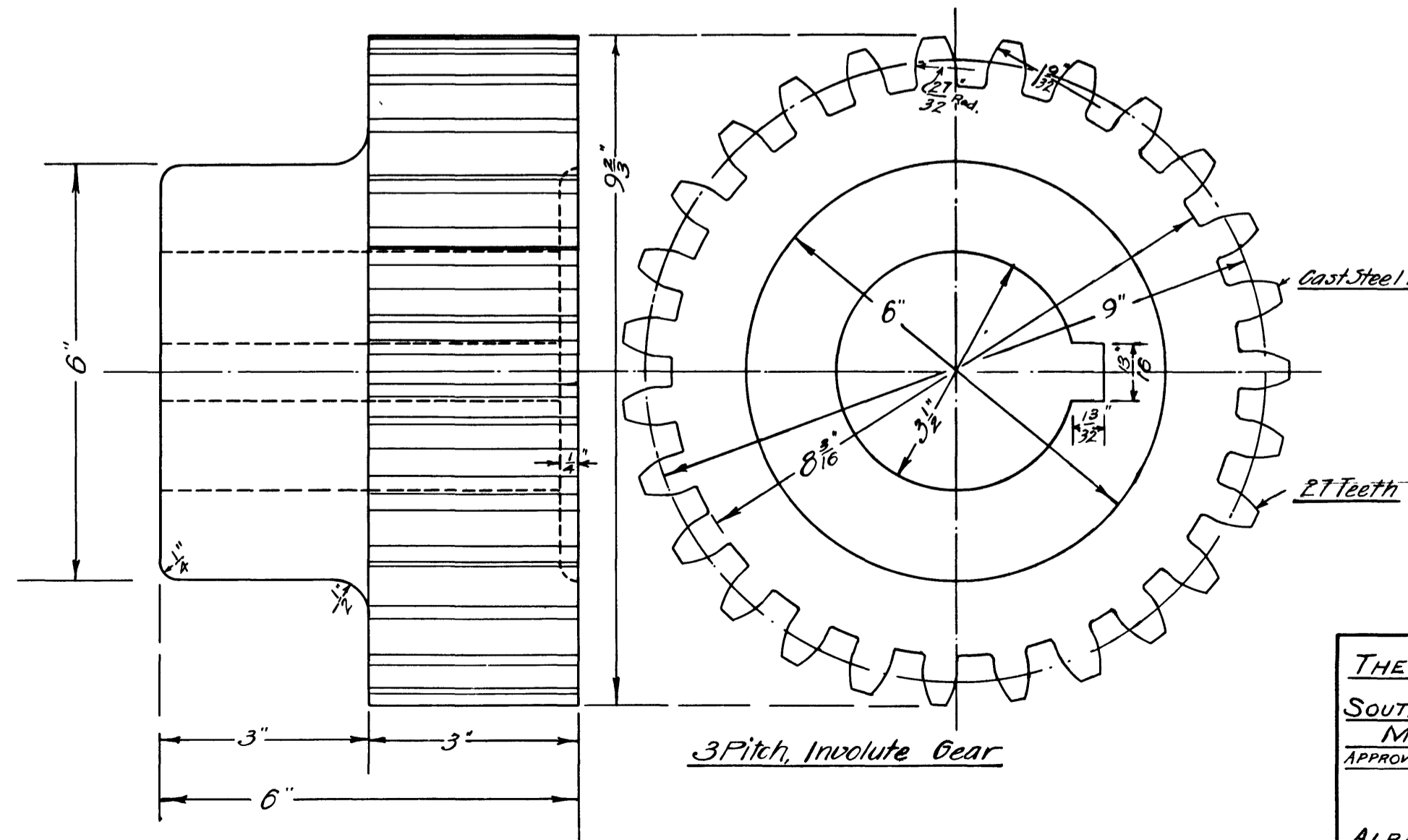
Gears for Gasoline Motor Car.



Shaft Steel



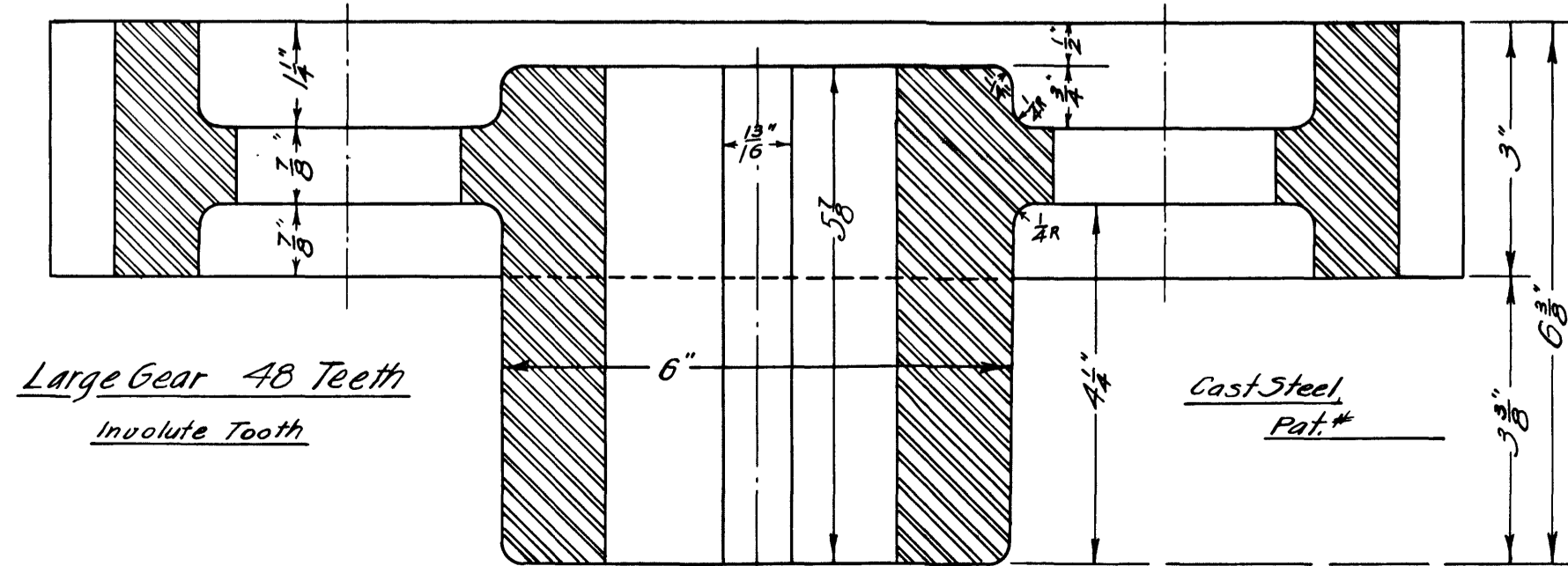
3 Pitch, 48 Teeth



3 Pitch, Involute Gear

Cast Steel Pat #

27 Teeth



Large Gear 48 Teeth
Involute Teeth

Cast Steel
Pat #



THE OREGON RAILROAD & NAVIGATION CO.
AND
SOUTHERN PACIFIC CO. LINES IN OREGON
MOTIVE POWER & CAR DEPARTMENT.

APPROVED: _____
Supt. Motive Power
ALBINA SHOPS — PORTLAND, ORE.
AUGUST 5, 1910

D 3689