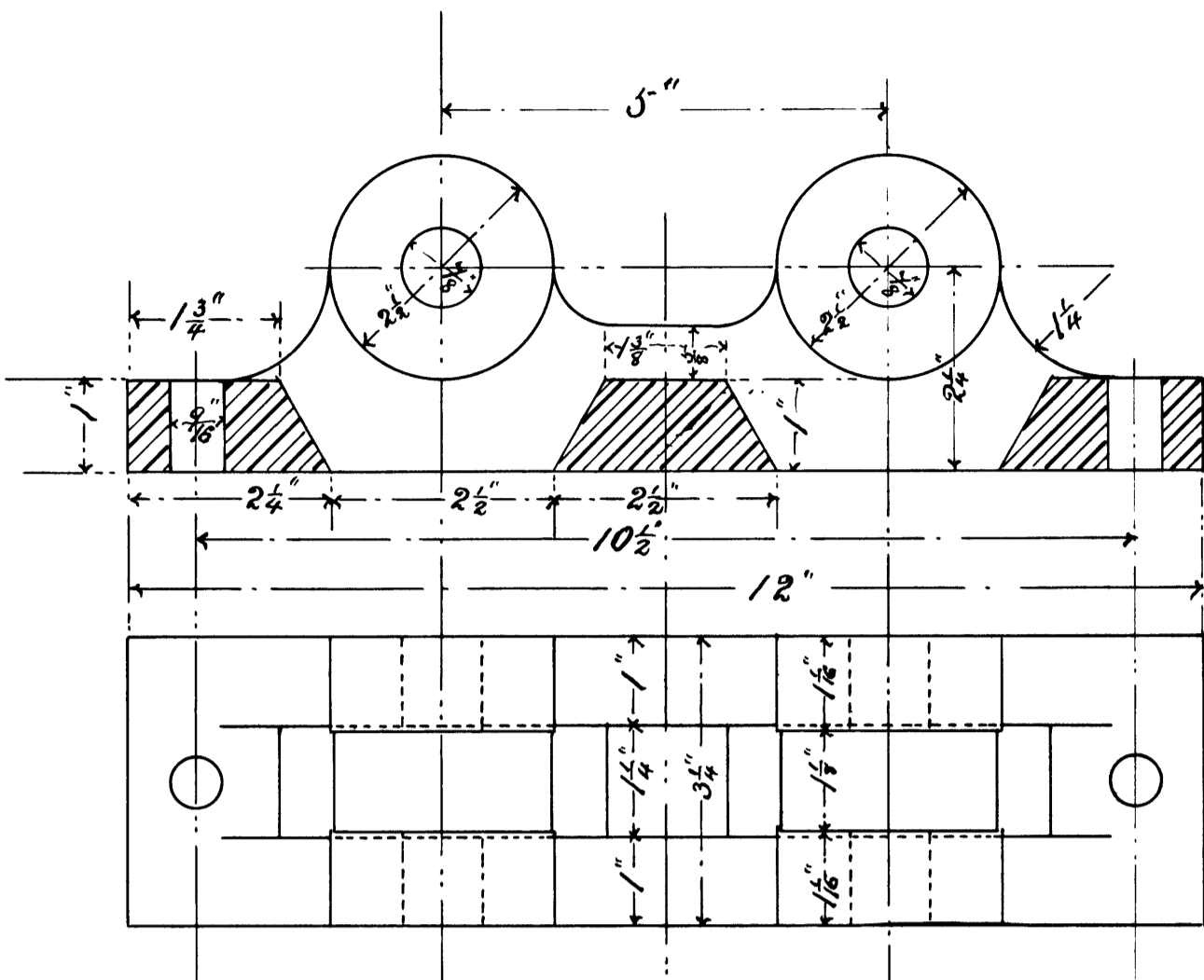
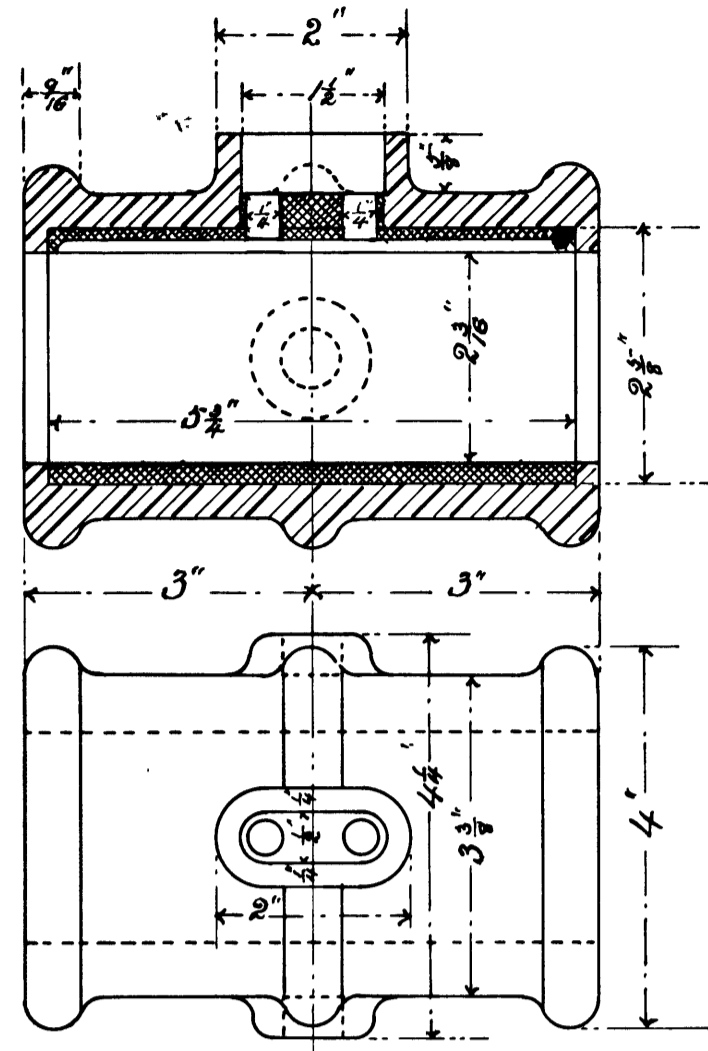


# O R & N CO FLUE CUTTING MACHINE

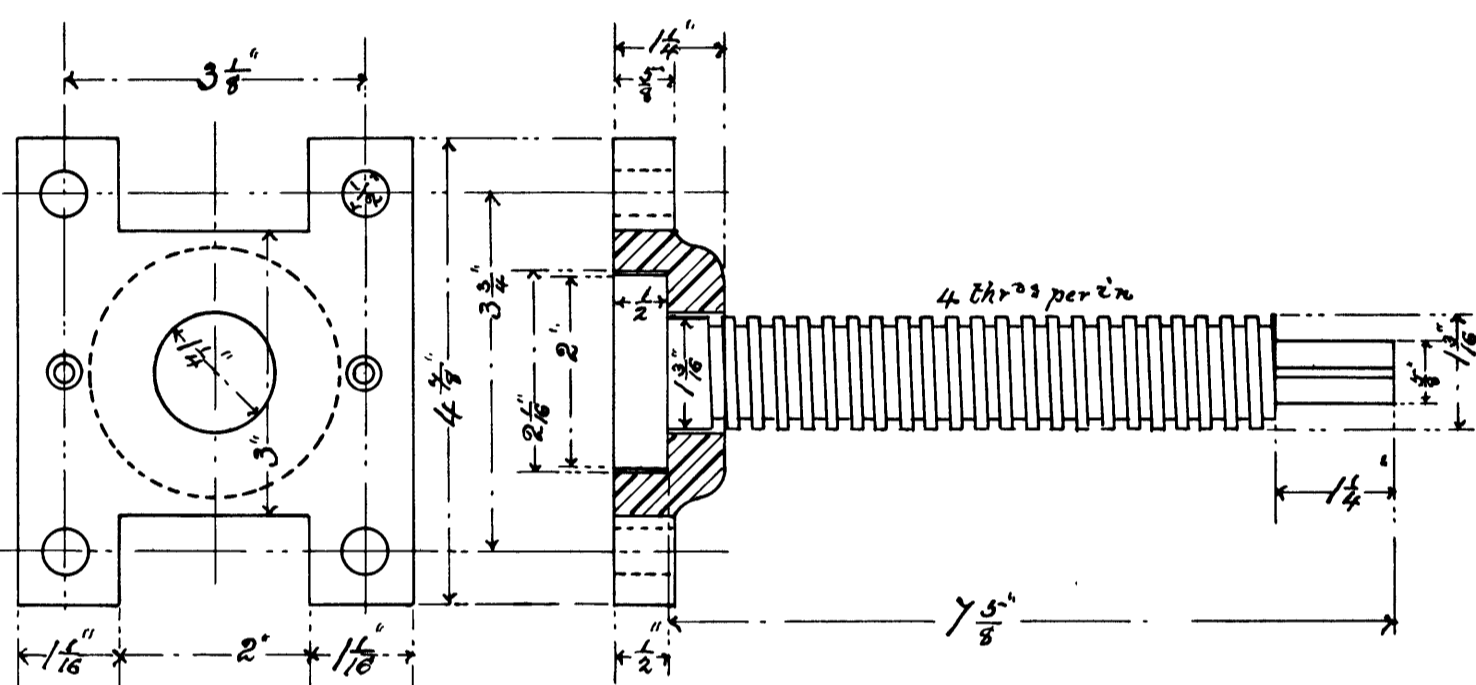
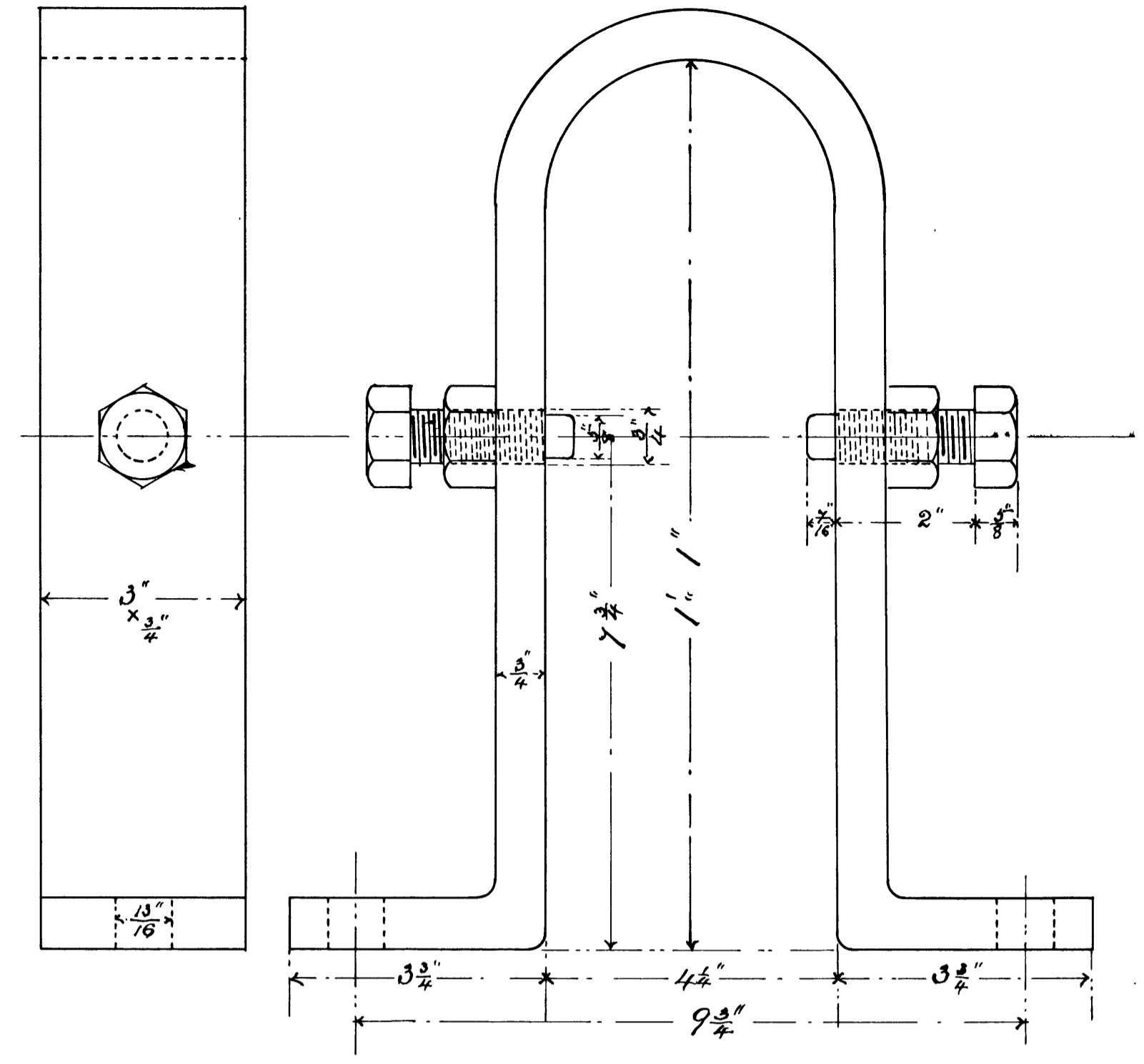
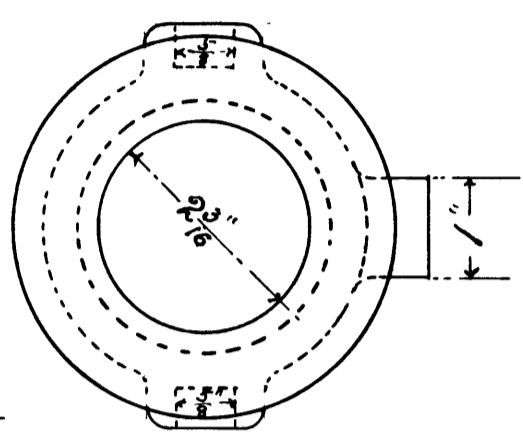
Scale 3" & 6" = 1ft  
Albina Oregon Dec 1895.



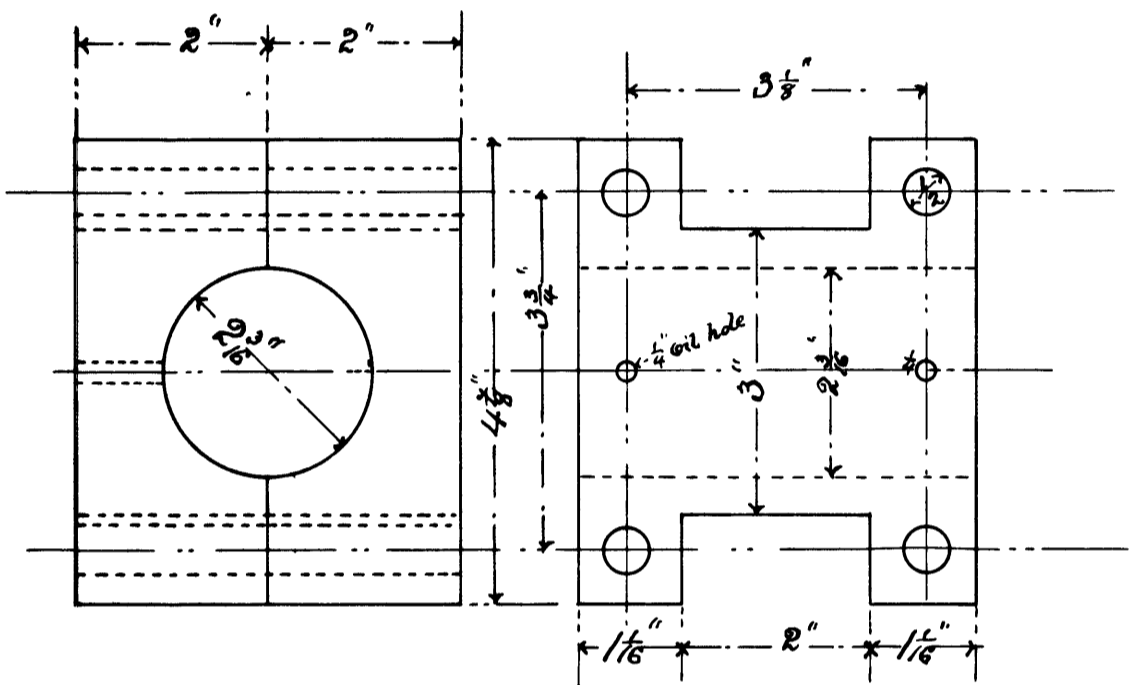
Part No M664.



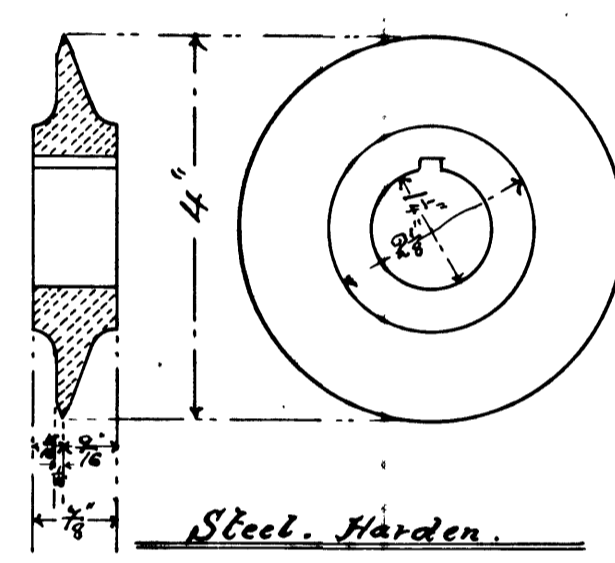
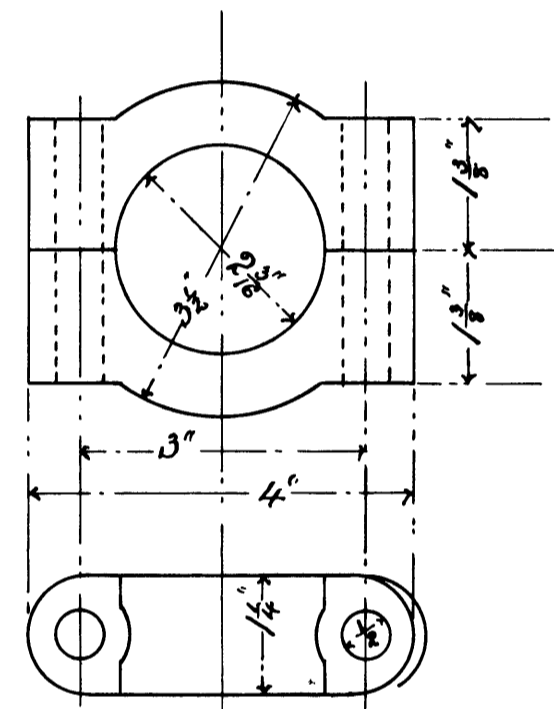
Part No M665.



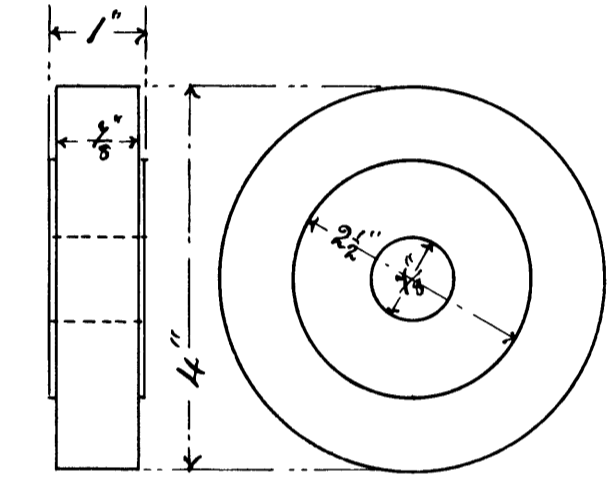
Part No M668.



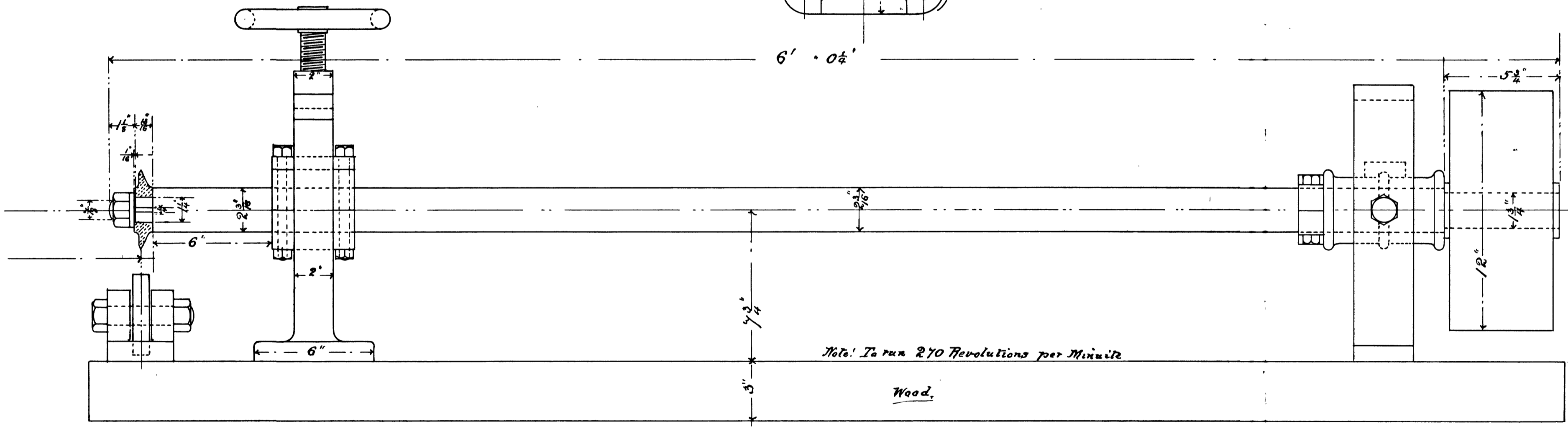
Part No M663, brass.



Steel. Harden.

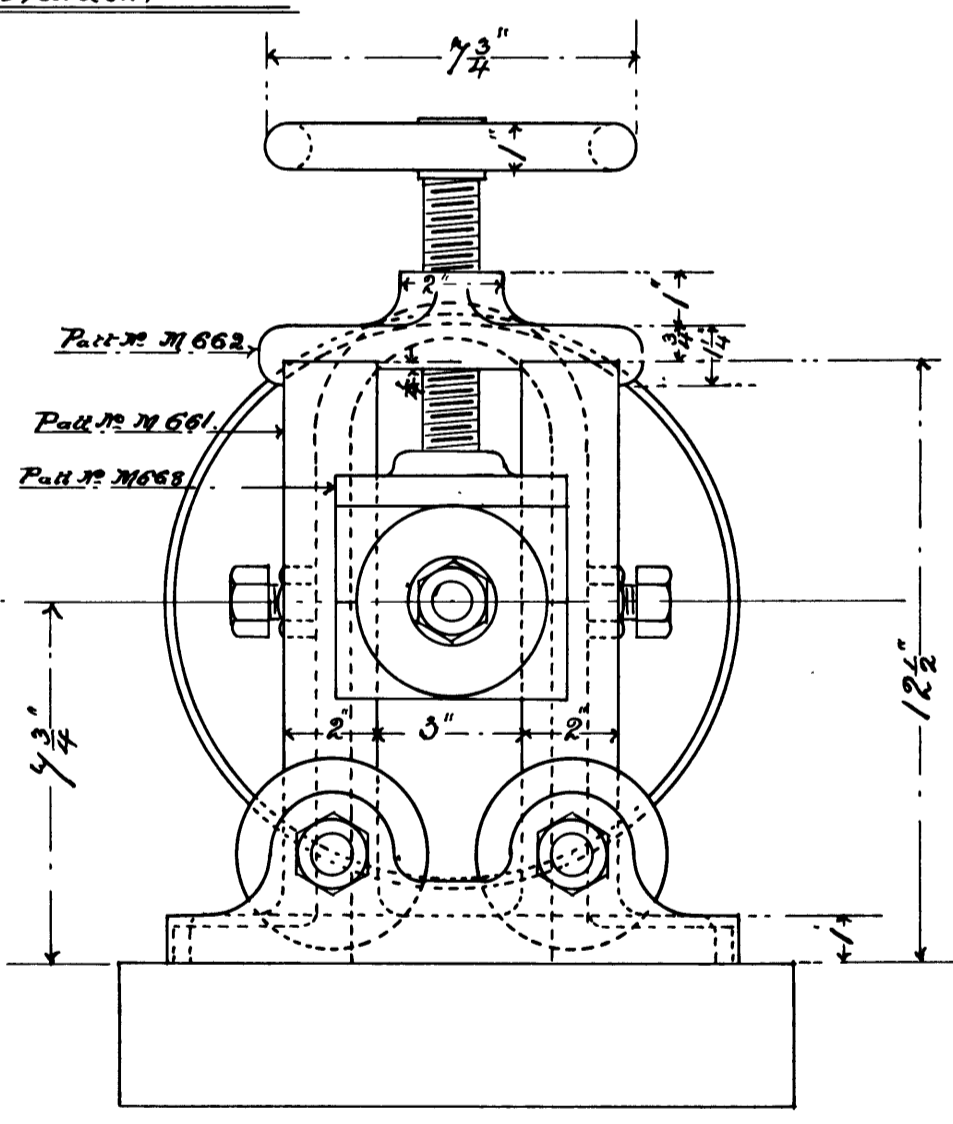


Steel. Harden.



Note: To run 270 Revolutions per Minute

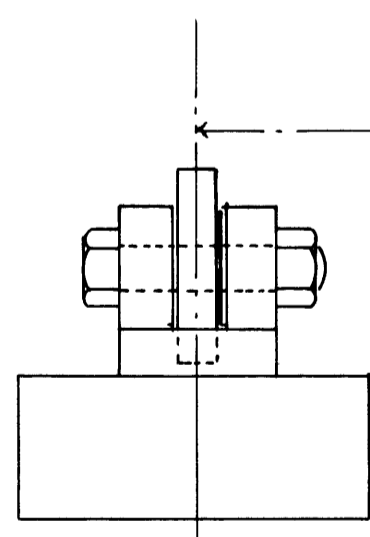
Wood.



Part No M662.

Part No M661.

Part No M668.



To suit length of Flues.

