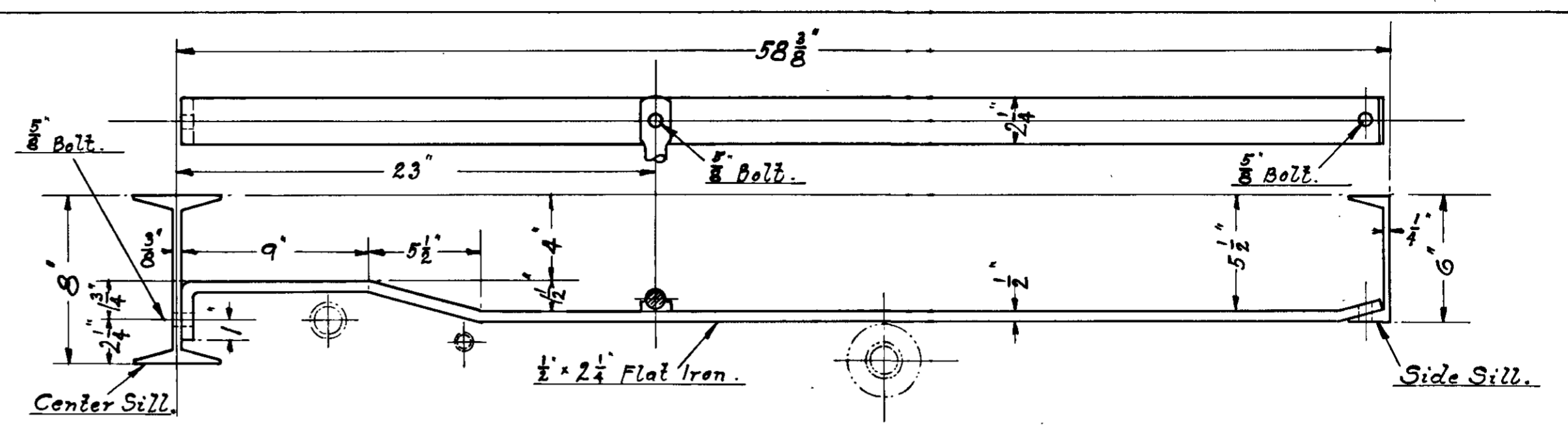
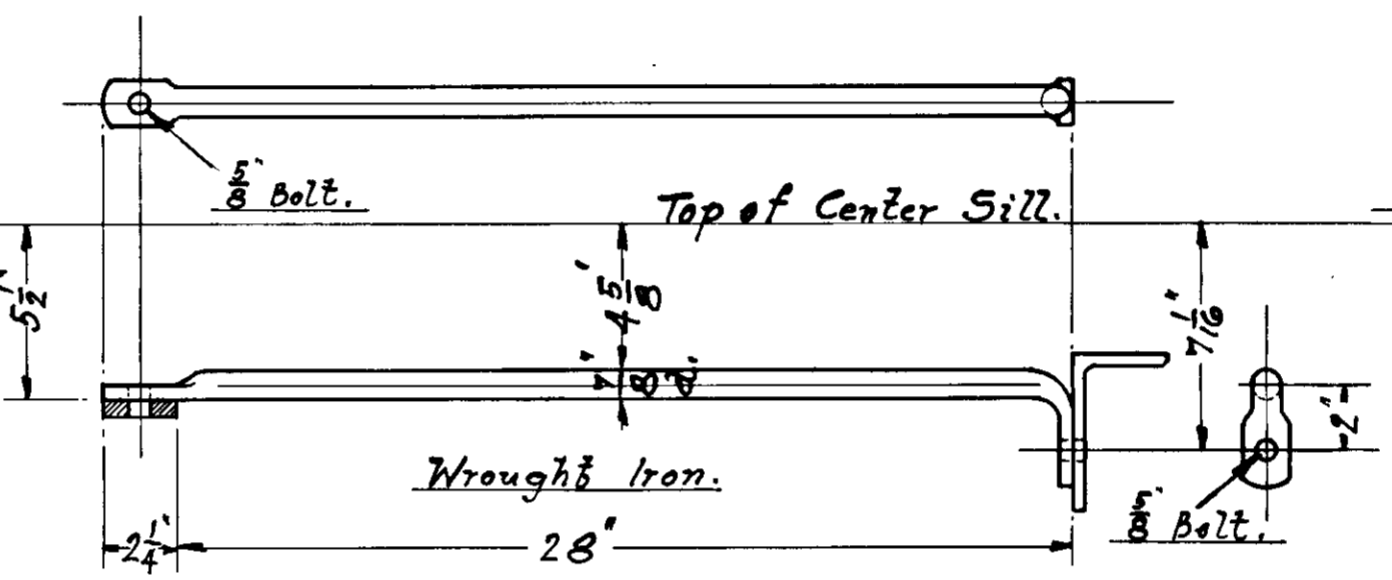


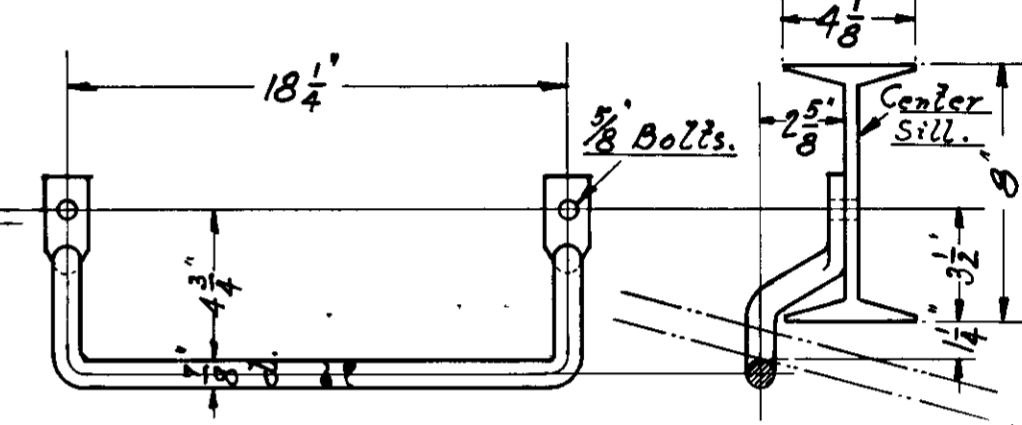
Hand Brake Lever & Fulcrum. One of Each per Car.



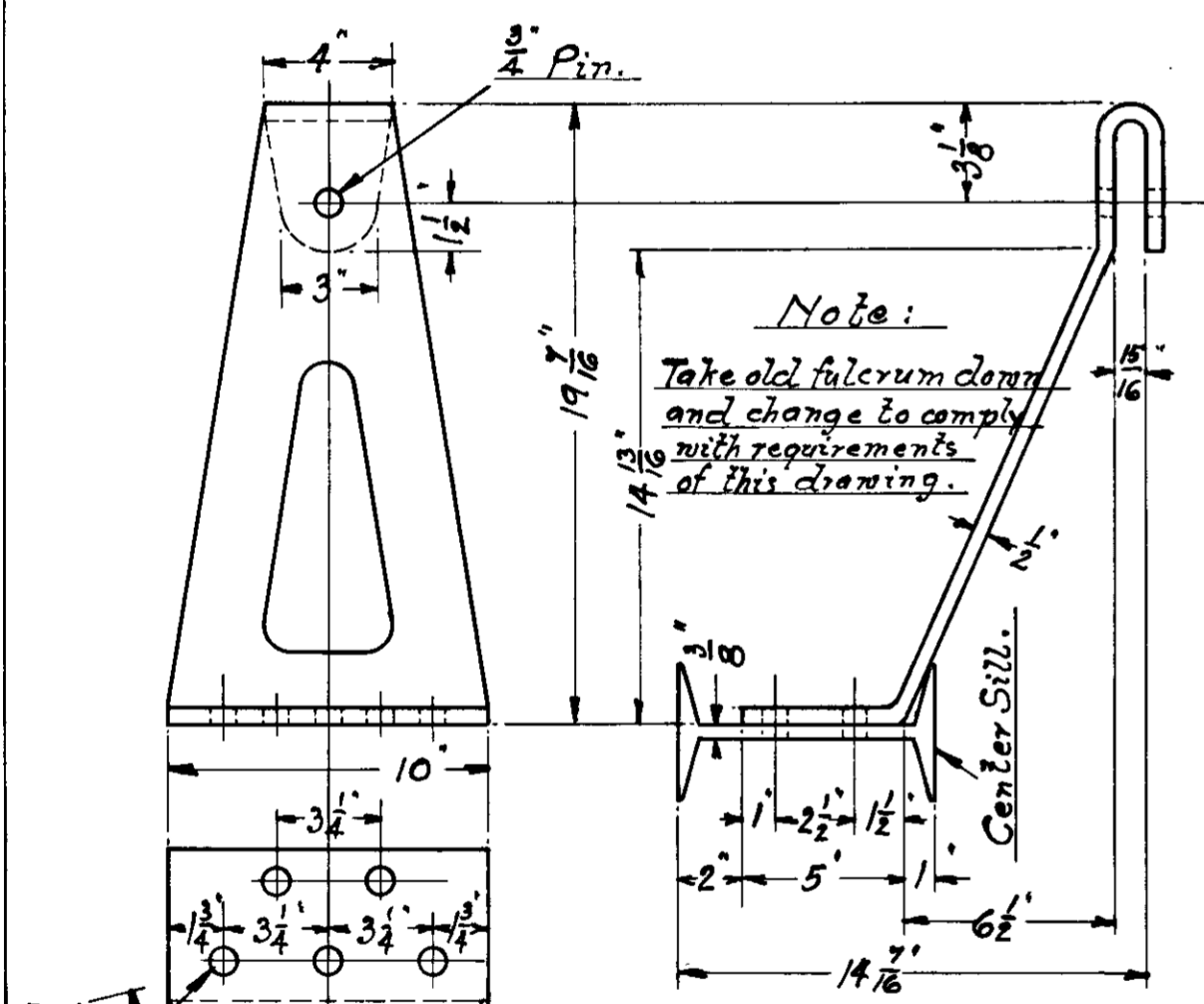
Support Strap for Hand Brake Lever Guide. One per Car.



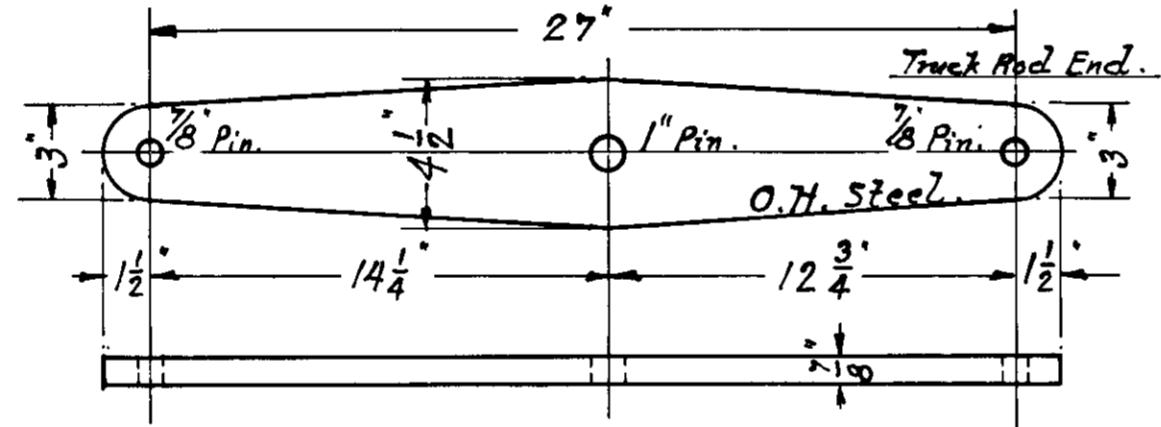
Hand Brake Lever Guide. One per Car.



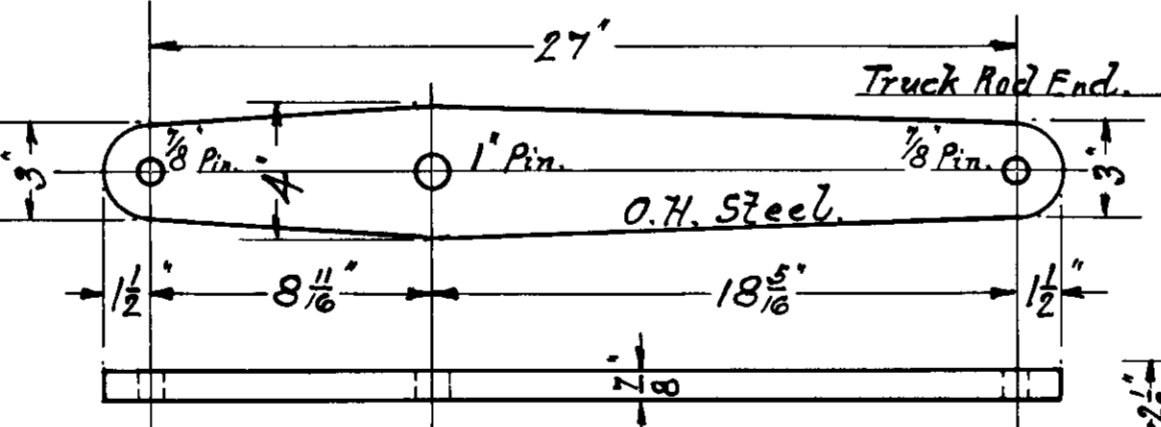
Guide for Front Cylinder Lever. Wrought Iron. One per Car.



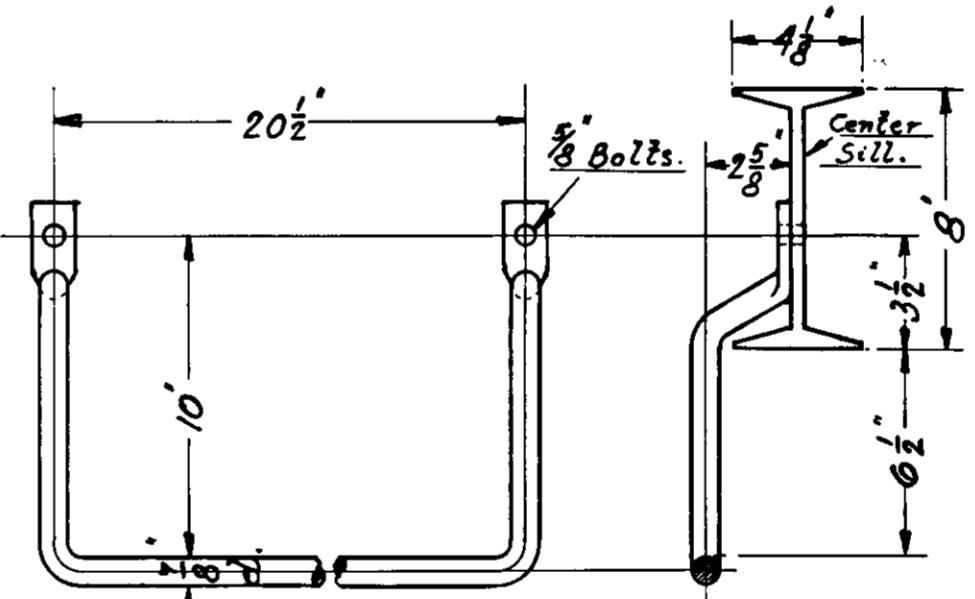
Fulcrum for Cyl. Lever (for rear truck). Wrought Iron. One per Car.



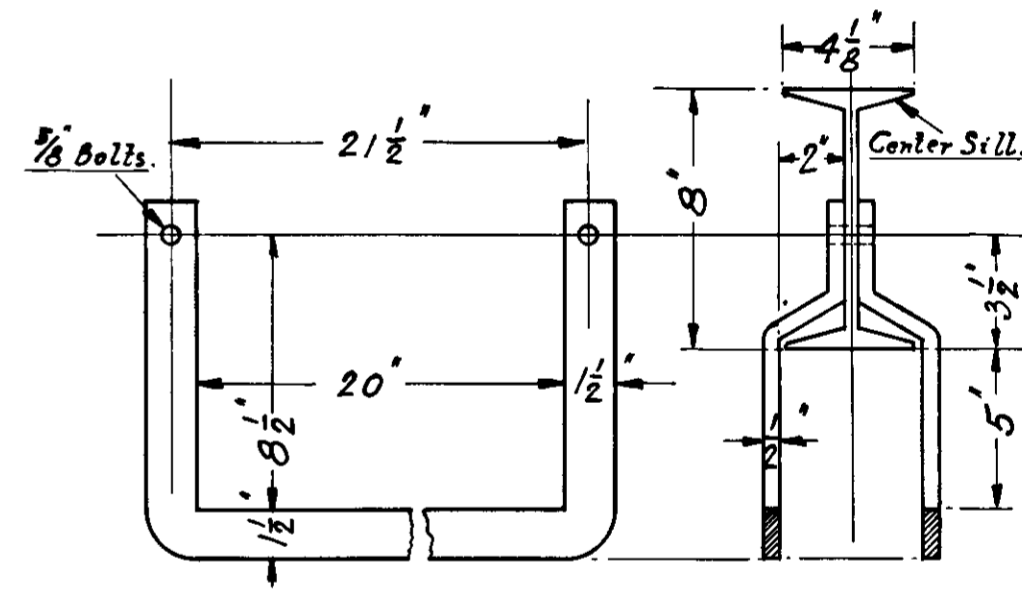
Cyl. Lever. (Front End). One per Car.



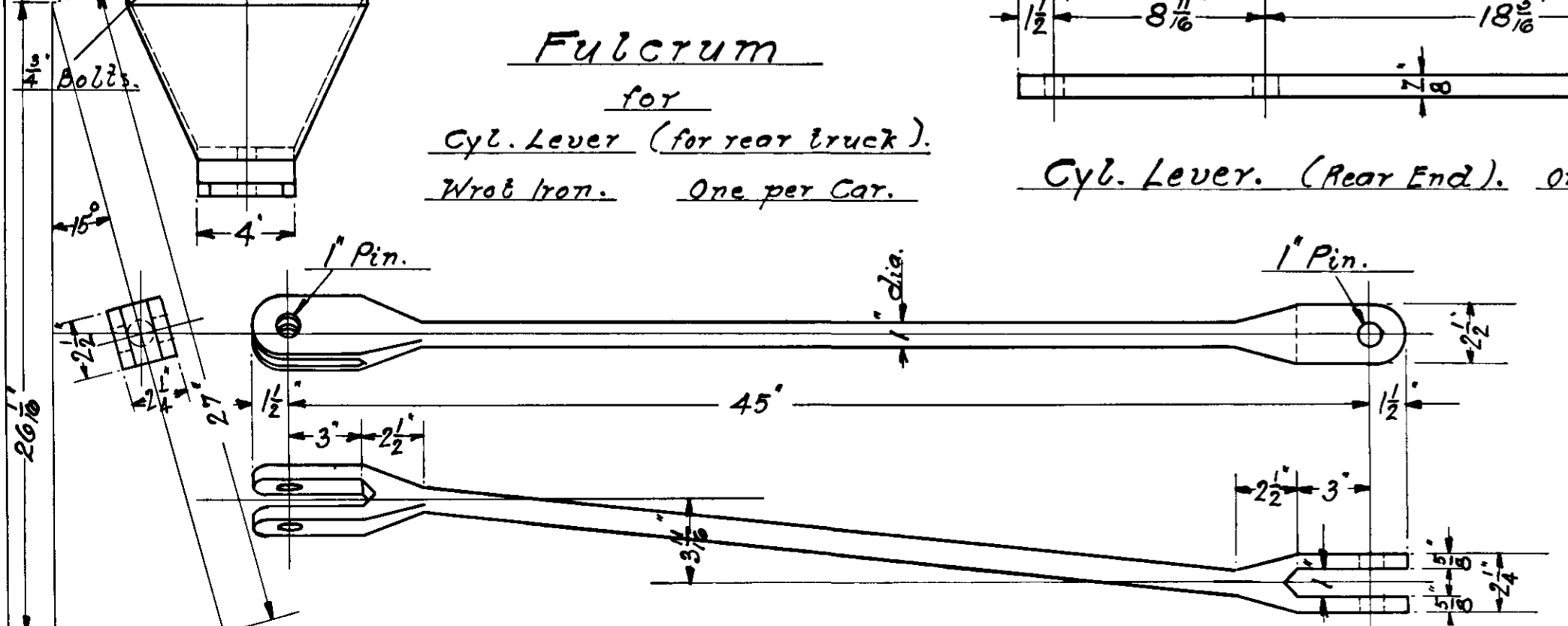
Cyl. Lever. (Rear End). One per Car.



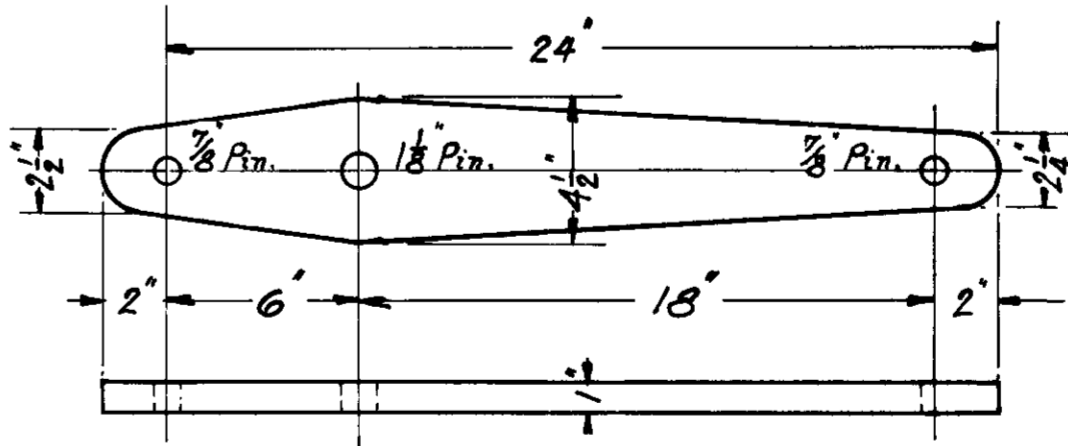
Guide for Rear Cylinder Lever. Wrought Iron. One per Car.



Guide for Radial Equalizer (Driving Truck). Wrought Iron. One per Car.



Cylinder Lever Connecting Rod. Wrought Iron. One per Car.



Live & Dead Lever. (Rear Truck). O.H. Steel. 2 per Car.

Reference to Drawings.

Title	No.	C. S. Book
Under frame & Brake Rigging	D-5674	-
Details (not on this drawing)	D-5674	-

Note: Use 2 Grip Nuts on all Bolts.

BRAKE RIGGING DETAILS.

MOTOR CARS M-76 & M-77.

Applied to M-76.

Ore-Wash. Railroad & Nav. Co.

D-5682.
Revised
Sept. 18, 17