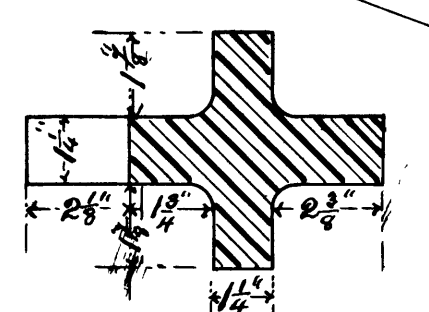
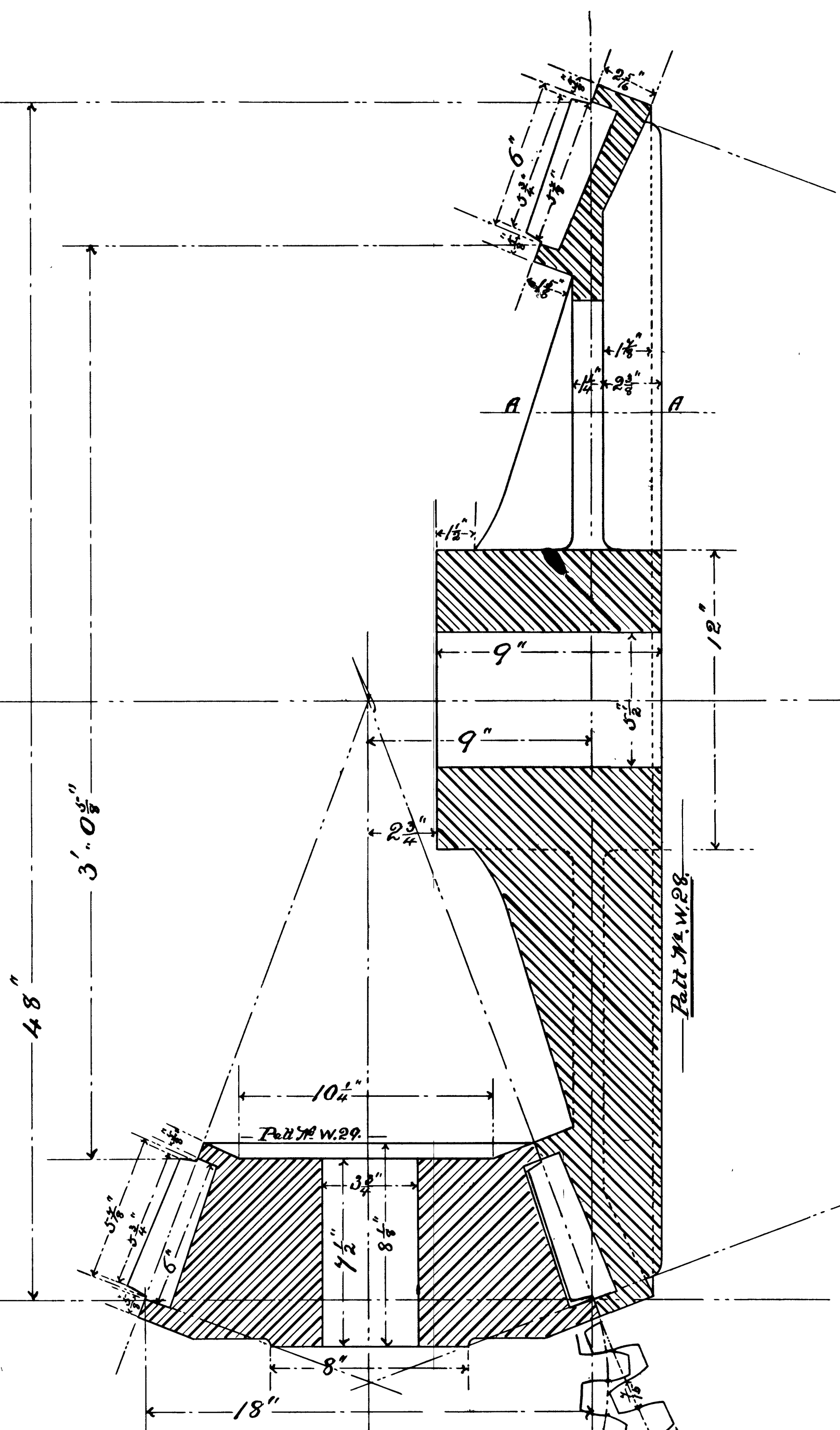
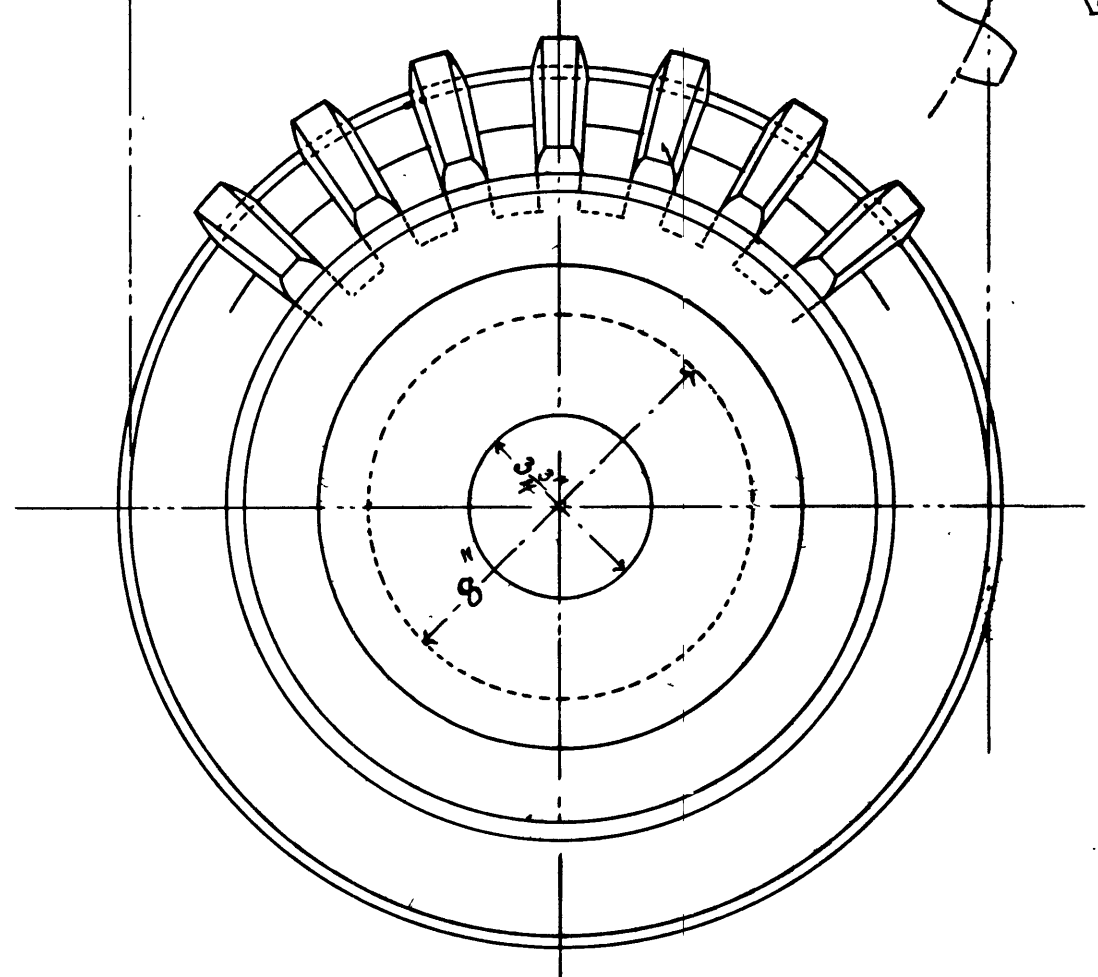


Wheel 59 Teeth  
2 3/8" Pitch



Section through A.A.



Pinion 22 Teeth  
2 3/8" Pitch

UNION PACIFIC  
PACIFIC DIVISION  
BEVEL WHEEL & PINION.  
FOR  
WILLAMETTE STEEL BRIDGE.  
Scale 3" = 1ft.  
ALBINA OREGON.  
JULY 1892.

