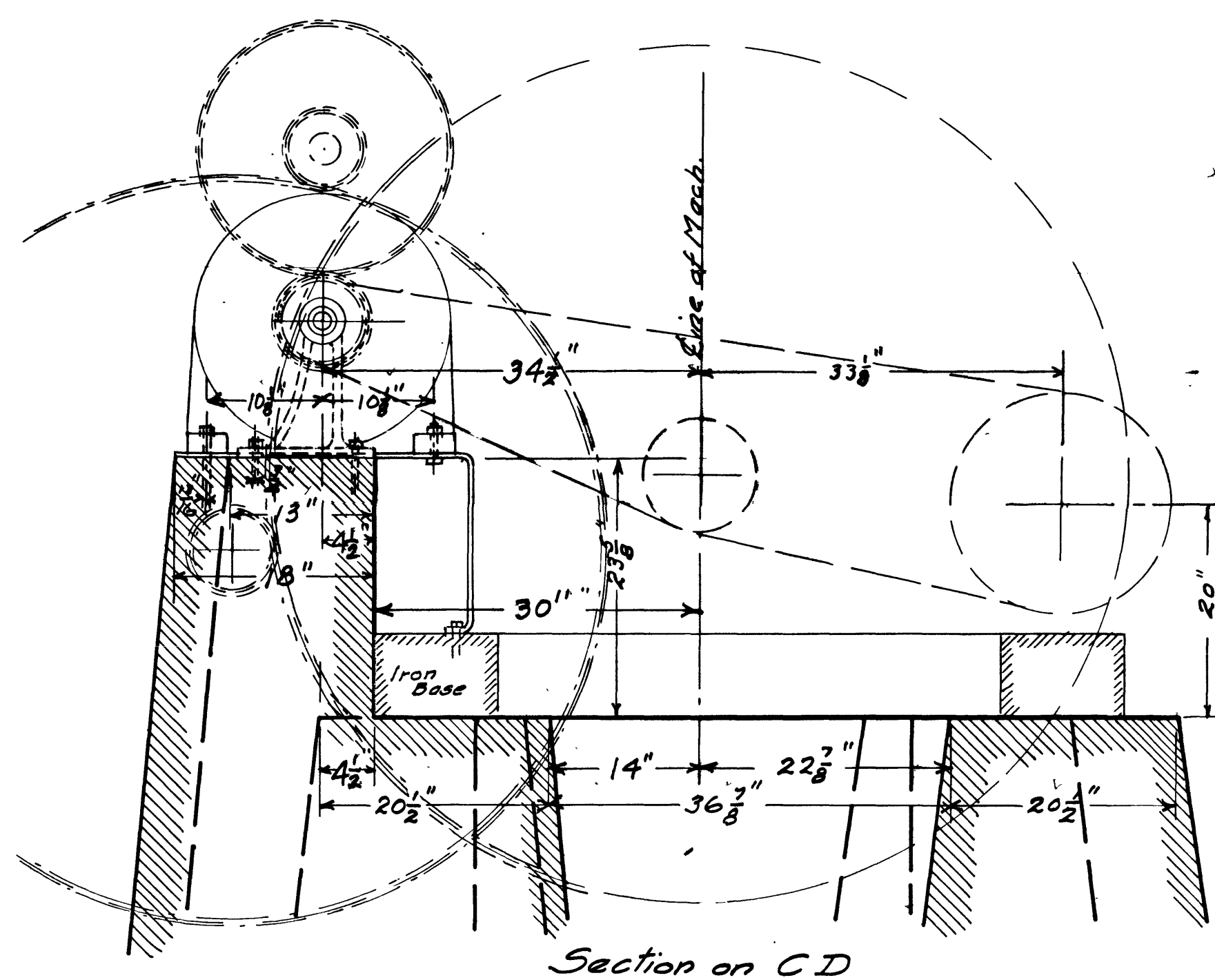
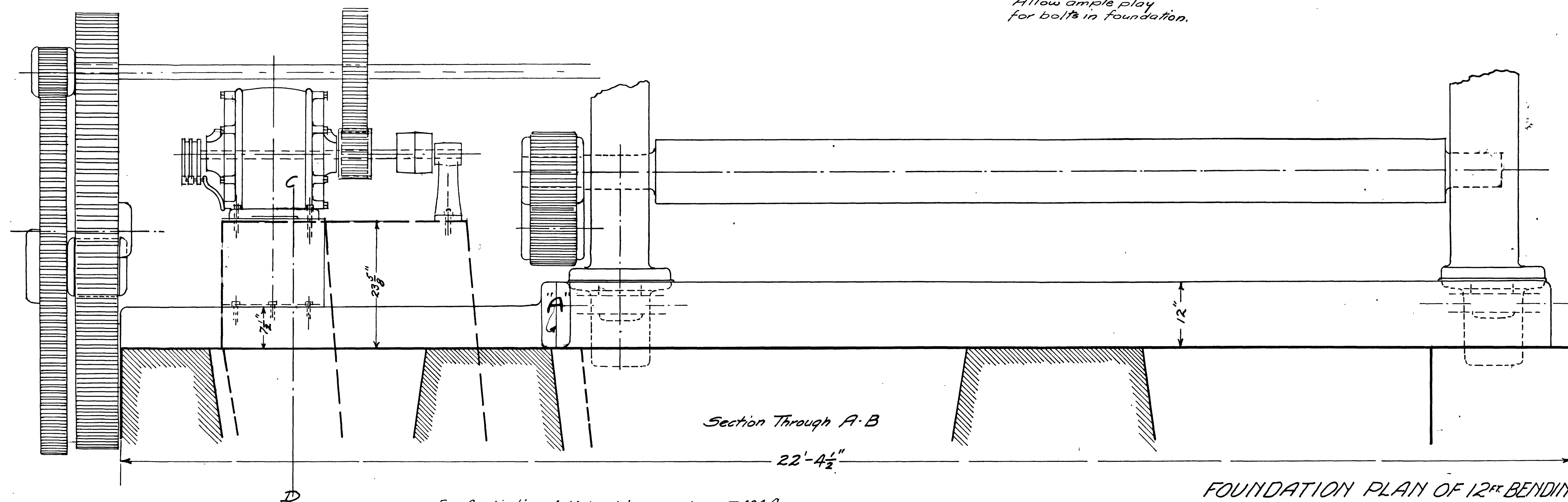


Note - Allow ample play for bolts in foundation.



Section on CD



Section Through A-B

For Application of Motor drive see drawg. D43+A.

Mach. # 72.
To be transferred from L.A. Shops.

FOUNDATION PLAN OF 12ft BENDING ROLLS.
LAS VEGAS SHOPS.
S.P.L.A. & S.L.R.R.
Los Angeles, Cal. Mar. 25, 1910

Approved *[Signature]*
Supt. Machy.

E
471